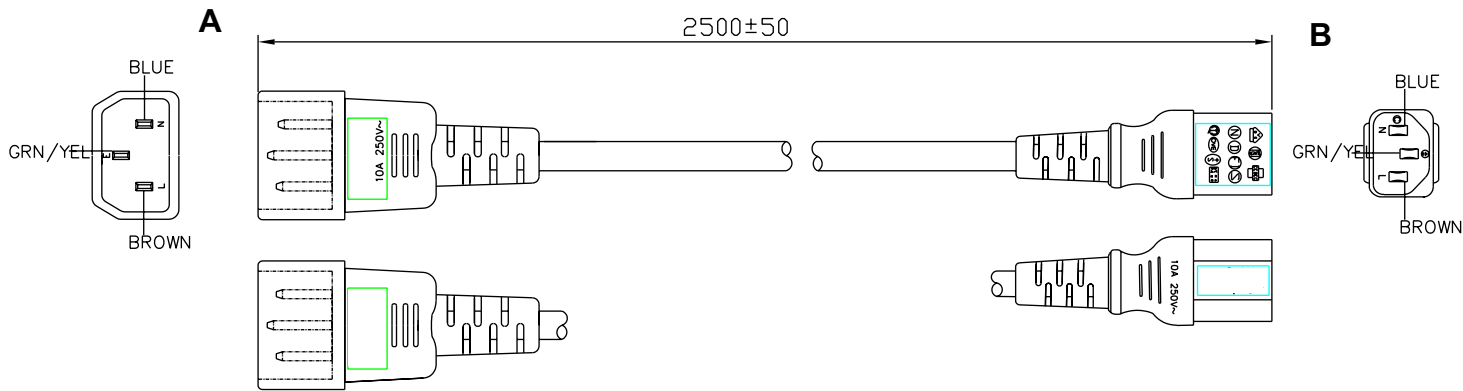


PROPRIETARY INFORMATION:
 PROPRIETARY OF GLOBTEK, INC. ANY REPRODUCTION, DISCLOSURE OR USE OF THIS DRAWING, IN WHOLE OR IN PART, IS HEREBY PROHIBITED EXCEPT AS SPECIFIED IN WRITING BY GLOBTEK, INC.

REVISION			
REV	DESCRIPTION	DATE	APPROVED
A	INITIAL RELEASE, RFS.3525, BS	04/21/04	BS
B	UPDATE P/N TO 7055002M5701A(R), RFS. 14077, HM	07/07/08	BS

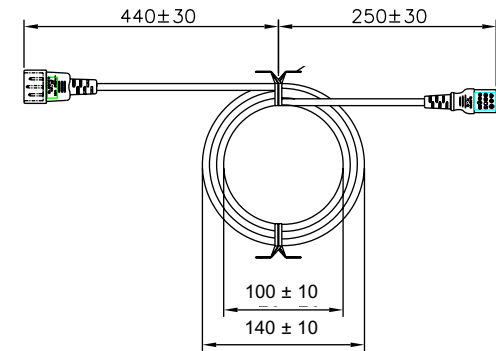


GENERAL SPECIFICATIONS:

- RATING: 10A / 250V AC
- CABLE TYPE / SIZE: SJT AWG 18X3 / H05VV-F 3X1.0 MM²
- TEMPERATURE RATING: 60° C
- CONDUCTOR COLORS: BLUE / BROWN / GREEN-YELLOW
- CABLE JACKET COLOR: BLACK
- OVERALL LENGTH (L): 2500 ± 50 MM
- CABLE OUTER DIAMETER: 8.3 ± 0.2 MM
- END 'A' PLUG; IEC 320 / C14
- END 'B' IEC 320 / C13
- APPROVALS PLUG: UL, CSA or cUL, VDE, N, S, D, FI, KEMA, SAA, UTE, CEBEC, OVE
- APPROVALS CABLE: UL, CSA or cUL, VDE, N, S, D, FI, KEMA, SAA, SEV, CEBEC, OVE
- APPROVALS CONNECTOR: UL, CSA or cUL, VDE, N, S, D, FI, BSI, KEMA, SEV, SAA, IMQ, UTE, CEBEC, OVE CE

PACKING:

COILED




NOTES:

1. CORD, PLUG AND CONNECTOR MUST BE MARKED WITH APPROVAL SYMBOLS OR FILE NUMBER(S).



2. CABLE IS 3C/18 AWG/SJT AND 3C/1mm²/H05VV-F DUAL APPROVED FOR US AND EUROPE.

DASH NO.	PART NO	REV.	DESCRIPTION	NOTES
TABULATION BLOCK				
		TOLERANCES: DECIMALS ANGULAR .xx +/- 0.1 +/- 1° .xxx +/- .005		 GlobTek, Inc. www.globtek.com 186 Veterans Dr. Northvale, NJ 07647 Tel. 201-784-1000 Fax 201.784.0111
		MILLIMETERS ANGULAR .xx +/- 0.3 +/- 1° .xxx +/- .013		
INIT.BY: BS	DATE: 04/21/04	DWG TITLE: JUMPER CORDSET		
DRAWN: NF	DATE: 04/21/04	FSCN No.: G, CC, YL	SIZE: A	REV. B
APRVD: ES	DATE: 04/21/04	SCALE: NONE	PART NO: 7055002M5701A(R)	SHEET 1/1

Foot Note:
 Globtek Inc. will not be liable for the safety and performance of these power product if unauthorized access and repair occurs. End user should consult the applicable UL, CSA or EN Standards for proper installation instruction.

Limitation of Use:
 Globtek product are not authorized for use as mission critical components in life support, hazardous environment, nuclear or aircraft applications without prior written approval from the CEO of Globtek Inc.

Contents of this document are subject to change without prior notice