

NOTES:

1. MATERIALS:

HOUSING: GLASS-FILLED LIQUID CRYSTAL POLYMER (LCP), UL94 V-0, COLOR: BLACK
 TAIL ALIGNER: GLASS-FILLED LIQUID CRYSTAL POLYMER (LCP),
 TERMINAL: PHOSPHOR BRONZE
 BRACKET: BRASS
 SHELL: STEEL
 INSERT: BRASS

2. FINISHES:

TERMINAL: 0.05-0.25 MICROMETERS GOLD FLASH IN CRITICAL AREA
 OVER 0.75 MICROMETERS MINIMUM PALLADIUM NICKEL IN
 CRITICAL AREA. 1.87 MICROMETERS MINIMUM TIN IN
 SOLDER TAIL AREA OVER A NICKEL UNDERPLATE.
 SHIELD: 3.8 MICROMETERS MINIMUM BRIGHT TIN OVER NICKEL.
 INSERT: 2.54 MICROMETERS MINIMUM NICKEL.

3. PART CONFORMS TO MOLEX PRODUCT SPECIFICATION PS-71425-9999.

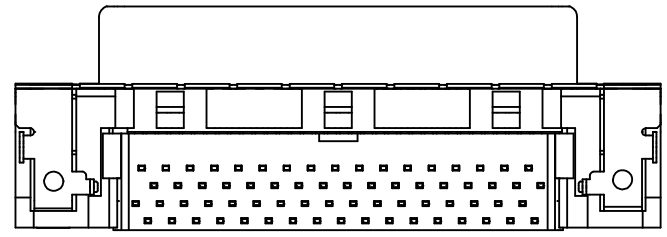
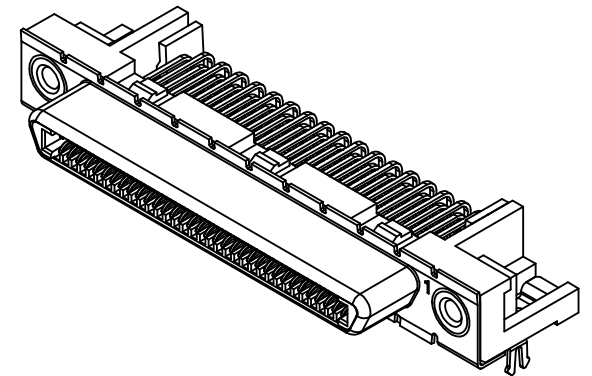
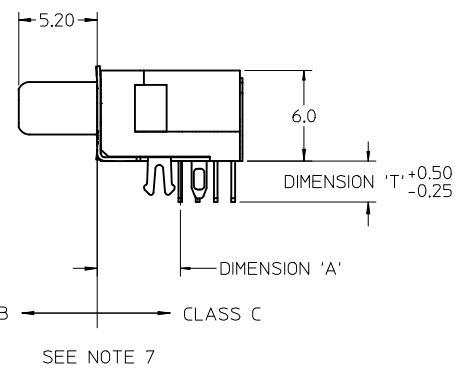
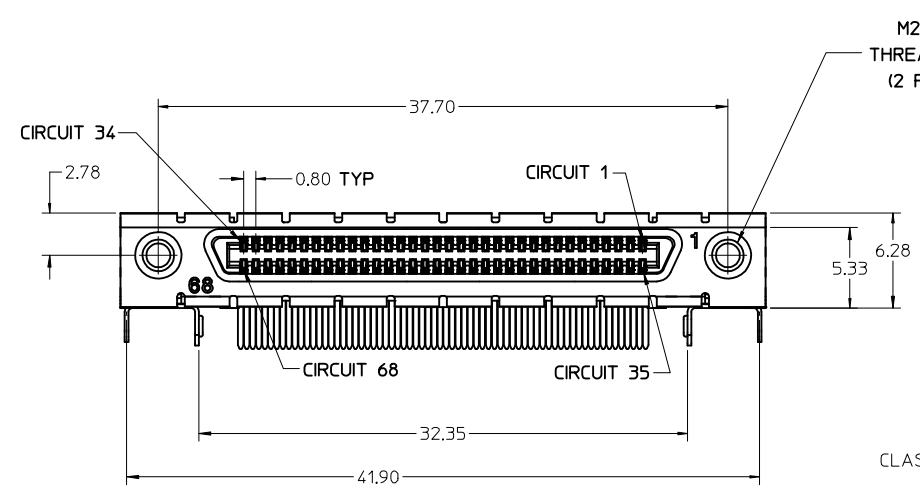
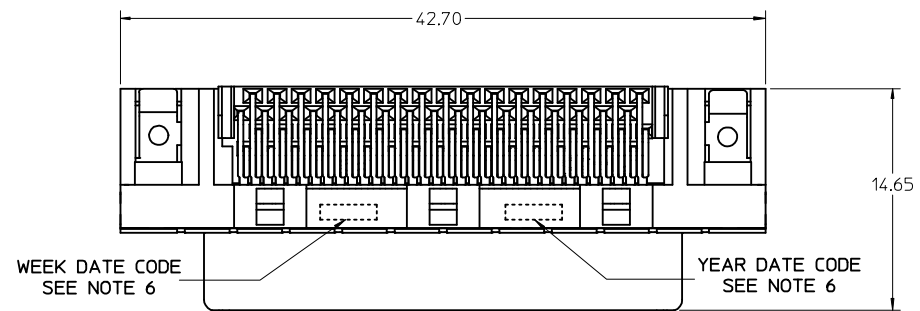
4. PACKAGED PER PK-71430-0101.

5. APPLICABLE STANDARDS: EIA-3652 AND SFF-8441.

6. DATE CODE: YR/WK PER EIA-476-A.

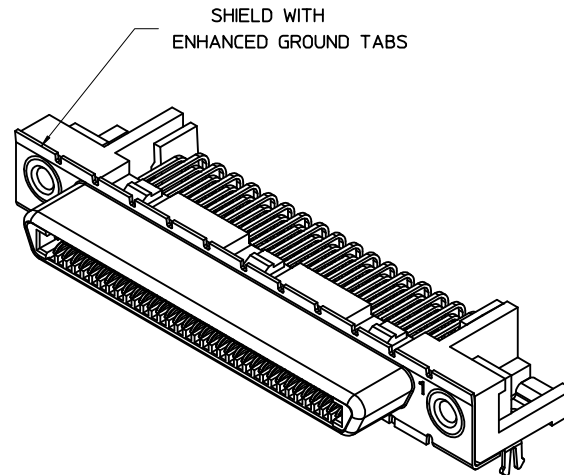
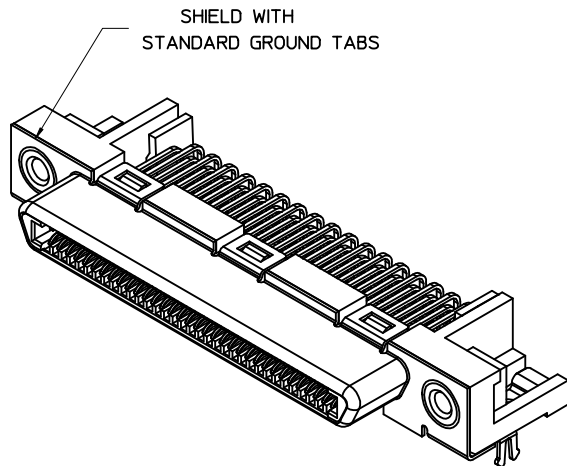
7. PRODUCT COMPLIES WITH COSMETIC SPECIFICATION PS-45499-002.
SEE SIDE VIEW FOR SURFACE CLASSIFICATIONS.

8. TORQUE TO INSTALL SCREWLOCKS INTO THREADED INSERTS:
0.34 Nm MAXIMUM.



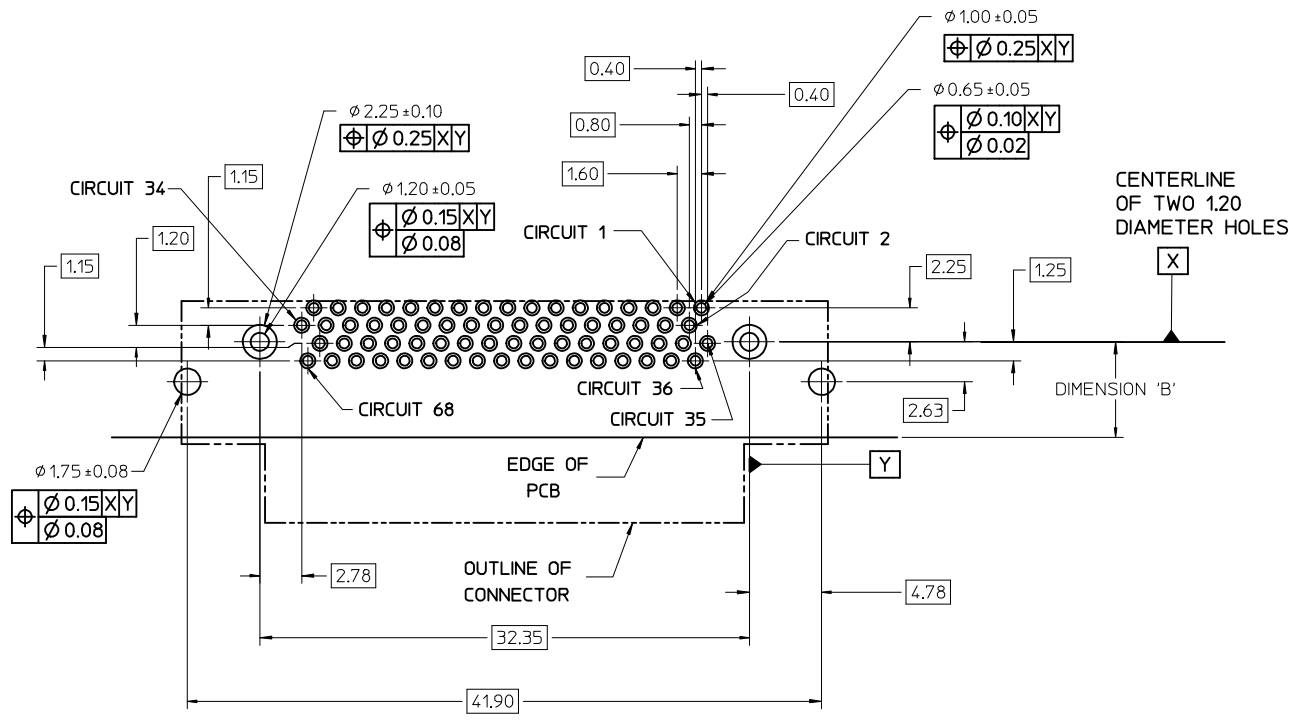
FIX TAIL TOLERANCE EC NO: UCP2012-3896 DRW: BARKER 2012/05/29 CHKD: MWLF APPR: SMILLER 2012/08/31	QUALITY SYMBOLS 	GENERAL TOLERANCES (UNLESS SPECIFIED)		DIMENSION STYLE	SCALE	DESIGN UNITS	THIRD ANGLE PROJECTION	
				MM ONLY	4:1	METRIC		
				DRAWN BY	DATE	TITLE		
				CHECKED BY	DATE	VHDCl RIGHT ANGLE ASSEMBLY		
REV: N	DESCRIPTION 2012/08/31	ANGULAR ±1/2°		MATERIAL NO.	DOCUMENT NO.	SHEET NO.		
		DRAFT WHERE APPLICABLE MUST REMAIN WITHIN DIMENSIONS		SEE SHEET 2	SD-71430-015	1 OF 3		
				THIS DRAWING CONTAINS INFORMATION THAT IS PROPRIETARY TO MOLEX INCORPORATED AND SHOULD NOT BE USED WITHOUT WRITTEN PERMISSION				

PCB THICKNESS	PART NUMBER	TAIL LENGTH *T* (SEE FIGURE FOR TOLERANCE)	ENHANCED GROUND TABS	SCREWLOCKS	TAIL LOC. *A*	HOLE LOCATION *B*
1.60	71430-0101	2.08	NO	NONE	5.5	6.50 MAXIMUM
1.60	71430-0007	2.08	NO	LOOSE IN BAGS		
1.60	71430-0005	2.08	YES	NONE		
1.60	71430-0008	2.08	YES	LOOSE IN BAGS		
2.36	71430-0268	2.71	NO	NONE		
2.36	71430-0006	2.71	NO	INSTALLED		
2.36	71430-0004	2.71	YES	NONE		
2.36	71430-0009	2.71	YES	INSTALLED		
2.36	71430-0016	2.71	NO	LOOSE IN BAGS		
2.36	71430-0019	2.71	YES	LOOSE IN BAGS		
2.36	71430-0012	2.71	YES	NONE	5.3	6.30 MAXIMUM
1.60	71430-0013	2.08	YES	NONE		



OPTIONAL SCREWLOCK
PART NUMBER 71433-0002

SEE SHEET 1 EC NO: UCP2012-3896 DRWN:BBARKER 2012/05/29 CHKD:HMOLFE APPR:SMILLER 2012/08/31	QUALITY SYMBOLS	GENERAL TOLERANCES (UNLESS SPECIFIED)	DIMENSION STYLE	SCALE	DESIGN UNITS	THIRD ANGLE PROJECTION
	▽=0	mm INCH	MM ONLY	4:1	METRIC	
	▽=0	4 PLACES ± --- ± ---	DRAWN BY DATE	TITLE		
	▽=0	3 PLACES ± --- ± ---	KSTILES 11/14/2002	VHDCI RIGHT ANGLE ASSEMBLY		
	2 PLACES ± 0.13 ± ---	CHECKED BY DATE				
	1 PLACE ± 0.25 ± ---	KSTILES 11/15/2002				
	0 PLACE ± ±	APPROVED BY DATE	MATERIAL NO. DOCUMENT NO. SHEET NO.			
		MBNAKIS 11/22/2002	SEE TABLE SD-71430-015 2 OF 3			
		ANGULAR ±1/2°	THIS DRAWING CONTAINS INFORMATION THAT IS PROPRIETARY TO MOLEX INCORPORATED AND SHOULD NOT BE USED WITHOUT WRITTEN PERMISSION			
		DRAFT WHERE APPLICABLE MUST REMAIN WITHIN DIMENSIONS				



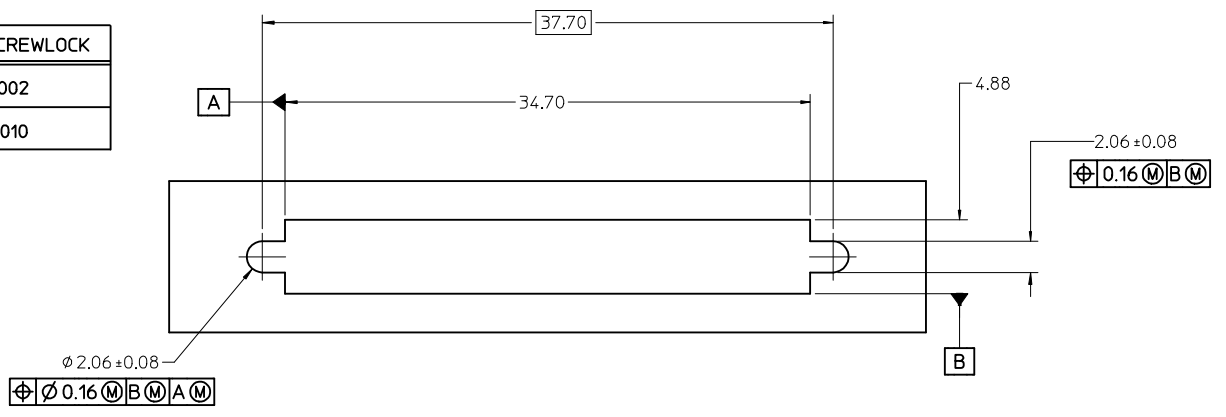
NOTES:

1. FOR FULL MATE WITH PLUG, PANEL THICKNESS SHOULD NOT EXCEED 1.0mm.

FUNCTIONAL MATING WITH MOLEX PLUG CAN STILL BE MAINTAINED WITH PANELS AS THICK AS 2.5mm (BUT PLUG AND RECEPTACLE WILL NOT BE FULLY MATED).

2. GUIDELINES FOR CHOOSING A MOLEX SCREWLOCK:

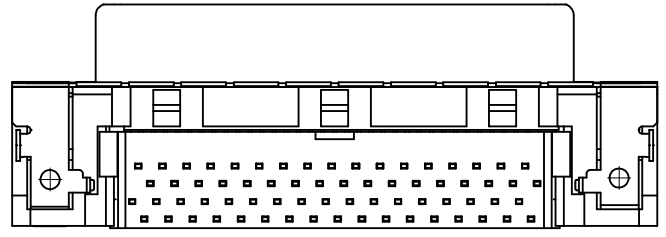
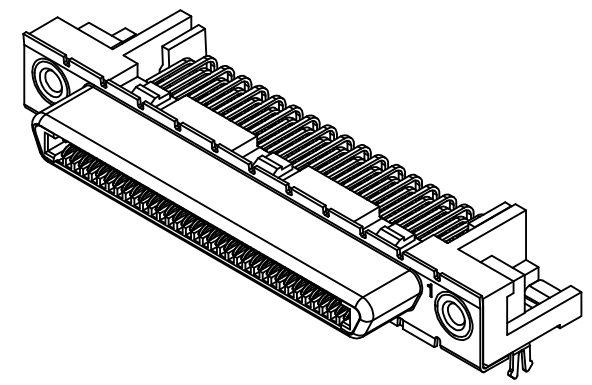
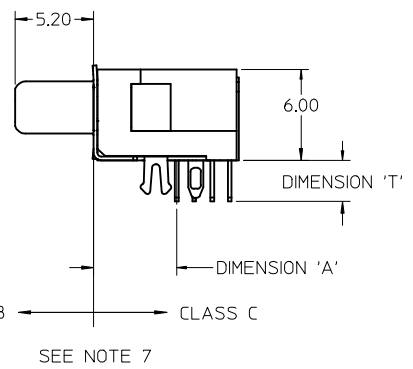
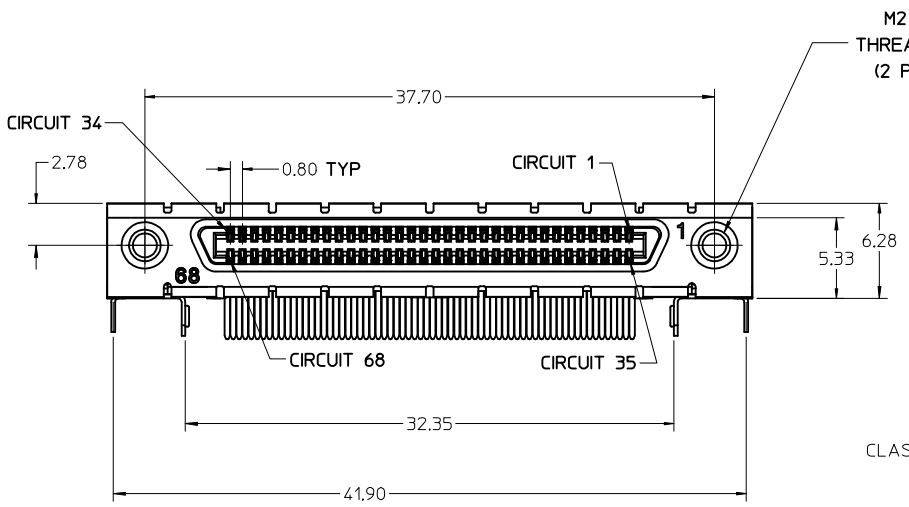
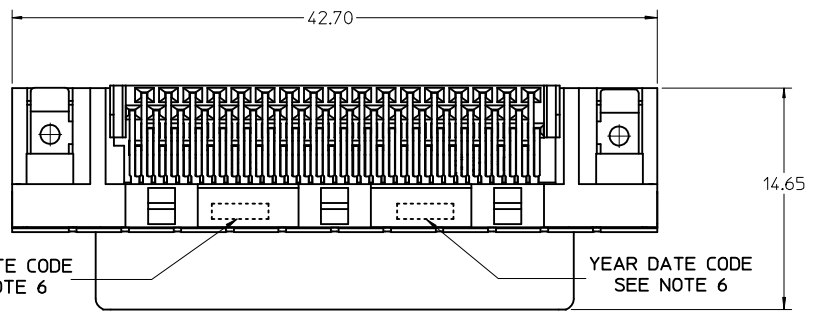
PANEL THICKNESS	RECOMMENDED SCREWLOCK
LESS THAN OR EQUAL TO 1.00 MM	71433-0002
1.01 TO 2.15 MM	71433-0010



SEE SHEET 1 EC NO: UCP2012-3896 DRWN:BBARKER 2012/05/29 CHKD:HWOLFE APPR:SMILLER 2012/08/31	QUALITY SYMBOLS	GENERAL TOLERANCES (UNLESS SPECIFIED)	DIMENSION STYLE	SCALE	DESIGN UNITS	THIRD ANGLE PROJECTION
	▽=0	mm INCH	MM ONLY	4:1	METRIC	◎
	▽=0	4 PLACES ± --- ± ---	DRAWN BY DATE	TITLE	VHDCI RIGHT ANGLE ASSEMBLY	
	▽=0	3 PLACES ± --- ± ---	KSTILES 11/14/2002	CHECKED BY DATE	molex	
	▽=0	2 PLACES ± 0.13 ± ---	KSTILES 11/15/2002	APPROVED BY DATE	SD-71430-015	SHEET NO. 3 OF 3
	1 PLACE ± 0.25 ± ---	MBNAK IS 11/22/2002	MATERIAL NO.	DOCUMENT NO.		
	0 PLACE ± ±		SEE SHEET 2	THIS DRAWING CONTAINS INFORMATION THAT IS PROPRIETARY TO MOLEX INCORPORATED AND SHOULD NOT BE USED WITHOUT WRITTEN PERMISSION		
		ANGULAR ±1/2°				
		DRAFT WHERE APPLICABLE MUST REMAIN WITHIN DIMENSIONS				

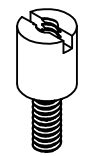
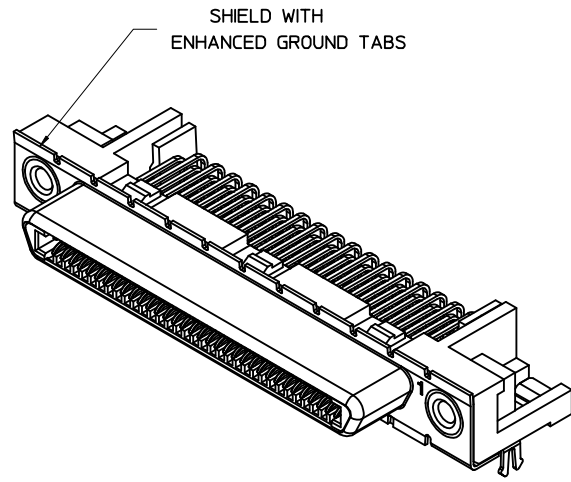
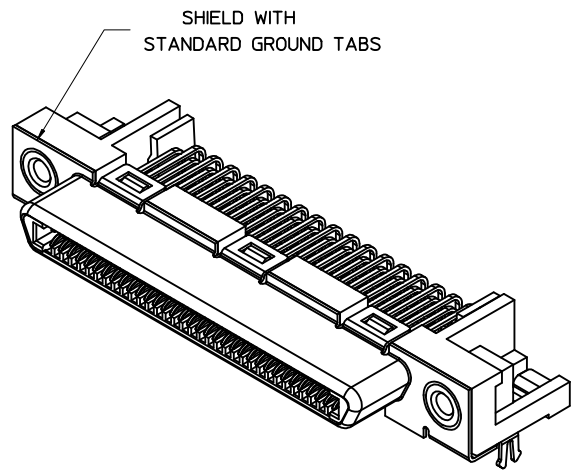
NOTES:

1. MATERIALS:
 - HOUSING: GLASS FILLED LIQUID CRYSTAL POLYMER (LCP), UL94 V-0, COLOR:BLACK
 - TAIL ALIGNER: GLASS FILLED LIQUID CRYSTAL POLYMER (LCP),
 - TERMINAL: HIGH PERFORMANCE COPPER ALLOY
 - SHIELD: STEEL
 - THREADED INSERT: BRASS
2. FINISHES:
 - TERMINAL: 0.05-0.25 MICROMETERS GOLD FLASH IN CRITICAL AREA OVER 0.75 MICROMETERS MINIMUM PALLADIUM NICKEL IN CRITICAL AREA. 1.87 MICROMETERS MINIMUM MATTE TIN IN SOLDER TAIL AREA. OVERALL NICKEL UNDERPLATE.
 - BRACKET: 5.0 MICROMETERS MINIMUM BRIGHT TIN OVER A COPPER UNDERPLATE.
 - SHIELD: 3.8 MICROMETERS MINIMUM BRIGHT TIN OVER 1.3 MICROMETERS MINIMUM NICKEL OVER COPPER FLASH (OPTIONAL).
 - THREADED INSERT: 2.54 MICROMETERS MINIMUM NICKEL.
3. PART CONFORMS TO MOLEX PRODUCT SPECIFICATION PS-71425-9999.
4. PRODUCT IS PACKAGED PER PK-71430-0101.
5. APPLICABLE STANDARDS: EIA-3652 AND SFF-8441.
6. DATE CODE: YR/WK PER EIA-476-A.
7. PRODUCT COMPLIES WITH COSMETIC SPECIFICATION PS-45499-002. SEE SIDE VIEW FOR SURFACE CLASSIFICATIONS.
8. TORQUE TO INSTALL SCREWLOCKS INTO THREADED INSERTS: 0.34 Nm MAXIMUM.



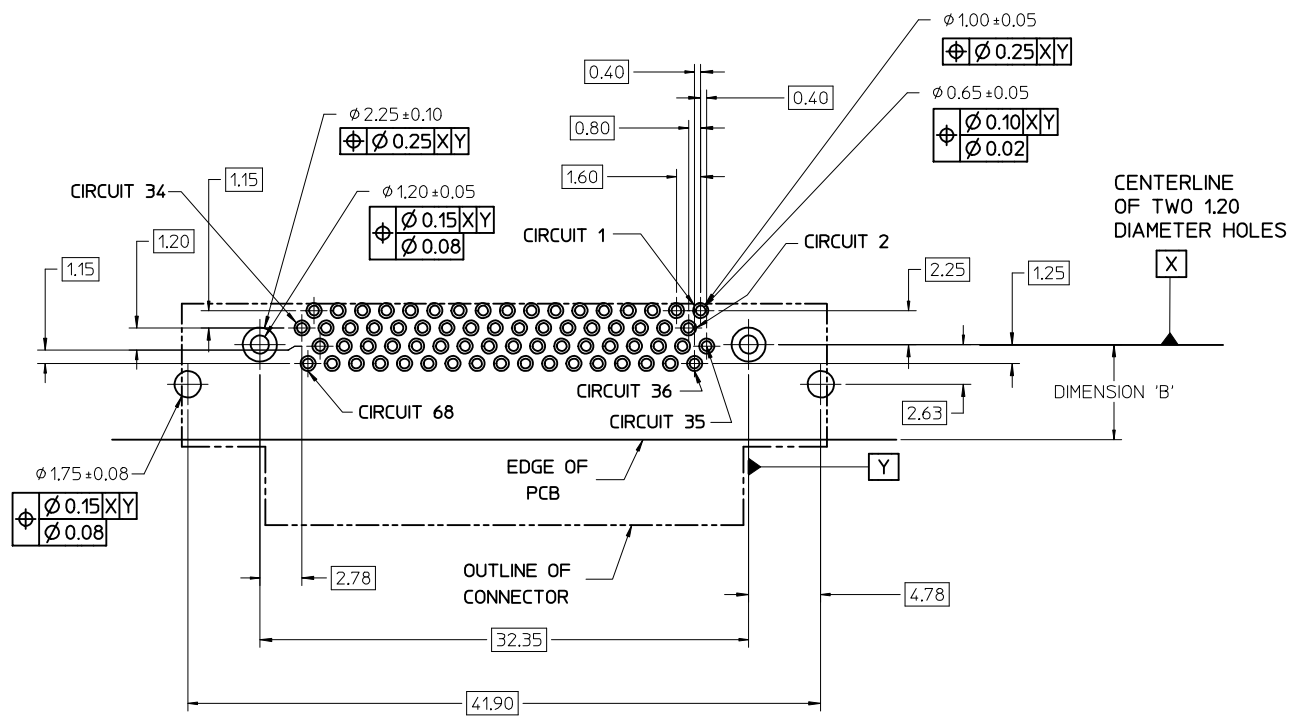
ADD PART 71430-3020 EC NO: UCP2015-5280 DRWN:TIBARRA 2015/06/12 CHKD:BBARKER 2015/06/30 APPR:SMILLER 2015/07/20	QUALITY SYMBOLS ∇=0 ∇=0 ∇=0	GENERAL TOLERANCES (UNLESS SPECIFIED)		DIMENSION STYLE MM ONLY		SCALE 4:1	DESIGN UNITS METRIC	THIRD ANGLE PROJECTION		
		mm	INCH	DRAWN BY BBARKER	DATE 2011/02/17	VHDCI RIGHT ANGLE ASSEMBLY molex DOCUMENT NO. SD-71430-3000 SHEET NO. 1 OF 3				
		4 PLACES ± ---	± ---	CHECKED BY BSMART	DATE 2011/02/17					
		3 PLACES ± ---	± ---	APPROVED BY SMILLER	DATE 2011/02/25					
		2 PLACES ± 0.13	± ---	MATERIAL NO. SEE TABLE						
1 PLACE ± 0.25	± ---	DRAFT WHERE APPLICABLE MUST REMAIN WITHIN DIMENSIONS			SIZE C		THIS DRAWING CONTAINS INFORMATION THAT IS PROPRIETARY TO MOLEX INCORPORATED AND SHOULD NOT BE USED WITHOUT WRITTEN PERMISSION			
0 PLACE ±	±	ANGULAR ±1/2°								

PCB THICKNESS	PART NUMBER	TAIL LENGTH "T" +0.50/-0.25	ENHANCED GROUND TABS	SCREWLOCKS (SEE GUIDELINE FOR CHOOSING A SCREWLOCK ON SHEET 3)	TAIL LOCATION "A"	PCB HOLE LOCATION "B"
1.60		2.08	NO	NONE	5.50	6.50 MAXIMUM
1.60		2.08	NO	71433-2002 LOOSE IN BAGS		
1.60		2.08	YES	NONE		
1.60		2.08	YES	71433-2002 LOOSE IN BAGS		
2.36		2.71	NO	NONE		
2.36		2.71	NO	71433-2002 INSTALLED		
2.36		2.71	YES	NONE		
2.36		2.71	YES	71433-2002 INSTALLED		
2.36		2.71	NO	71433-2002 LOOSE IN BAGS		
2.36	71430-3019	2.71	YES	71433-2002 LOOSE IN BAGS		
2.79	71430-3020	3.62	YES	71433-2002 LOOSE IN BAGS	5.30	6.30 MAXIMUM
2.36		2.71	YES	NONE		
1.60		2.08	YES	NONE		



OPTIONAL SCREWLOCK
PART NUMBER 71433-2002 SHOWN
(SEE GUIDELINE FOR CHOOSING
A SCREWLOCK ON SHEET 3)

SEE SHEET 1 EC NO: UCP2015-5280 DRWNT:IBARRA 2015/06/12 CHKD:BBARKER 2015/06/30 APPR:SMILLER 2015/07/20	QUALITY SYMBOLS 	GENERAL TOLERANCES (UNLESS SPECIFIED)	DIMENSION STYLE MM ONLY	SCALE 4:1	DESIGN UNITS METRIC	THIRD ANGLE PROJECTION
	REV:	mm INCH	DRAWN BY DATE BBARKER 2011/02/17	TITLE VHDCI RIGHT ANGLE ASSEMBLY		
	DESCRIPTION	4 PLACES ± --- ± --- 3 PLACES ± --- ± --- 2 PLACES ± 0.13 ± --- 1 PLACE ± 0.25 ± --- 0 PLACE ± ±	CHECKED BY DATE BSMART 2011/02/17	molex		
	MATERIAL NO.	ANGULAR ±1/2°	APPROVED BY DATE SMILLER 2011/02/25	DOCUMENT NO. SD-71430-3000	SHEET NO. 2 OF 3	
	DRAFT WHERE APPLICABLE MUST REMAIN WITHIN DIMENSIONS	SIZE	THIS DRAWING CONTAINS INFORMATION THAT IS PROPRIETARY TO MOLEX INCORPORATED AND SHOULD NOT BE USED WITHOUT WRITTEN PERMISSION			



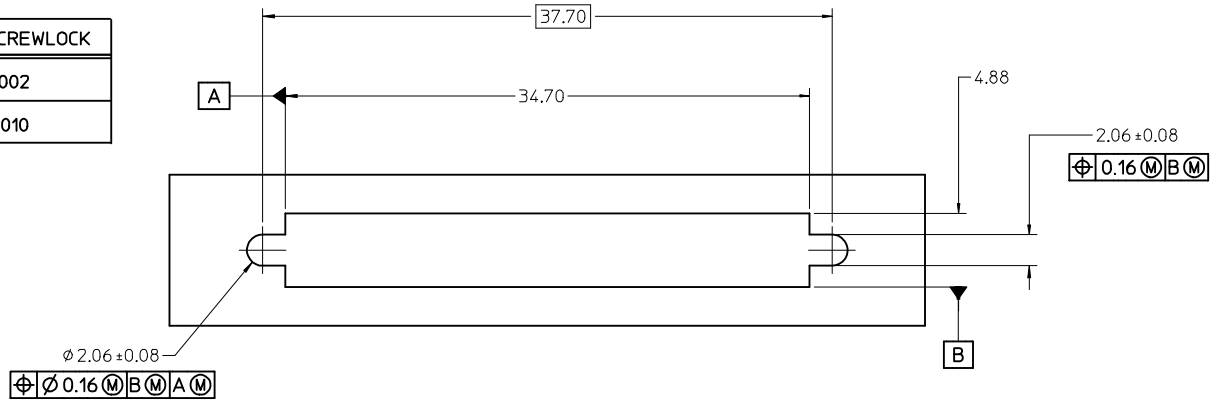
NOTES:

1. FOR FULL MATE WITH PLUG, PANEL THICKNESS SHOULD NOT EXCEED 1.0mm.

FUNCTIONAL MATING WITH MOLEX PLUG CAN STILL BE MAINTAINED WITH PANELS AS THICK AS 2.5mm (BUT PLUG AND RECEPTACLE WILL NOT BE FULLY MATED).

2. GUIDELINE FOR CHOOSING A MOLEX SCREWLOCK:

PANEL THICKNESS	RECOMMENDED SCREWLOCK
LESS THAN OR EQUAL TO 1.00 MM	71433-2002
1.01 TO 2.15 MM	71433-2010



SEE SHEET 1 EC NO: UCP2015-5280 DRWN: TIBARRA 2015/06/12 CHKD: BBARKER 2015/06/30 APPR: SMILLER 2015/07/20	QUALITY SYMBOLS ∇=0 ∇=0 ∇=0	GENERAL TOLERANCES (UNLESS SPECIFIED)		DIMENSION STYLE MM ONLY		SCALE 4:1	DESIGN UNITS METRIC	THIRD ANGLE PROJECTION		
		4 PLACES ± ---	± ---	DRAWN BY	DATE	TITLE VHDCI RIGHT ANGLE ASSEMBLY				
		3 PLACES ± ---	± ---	BBARKER	2011/02/17					
		2 PLACES ± 0.13	± ---	CHECKED BY	DATE	DOCUMENT NO. SD-71430-3000				
1 PLACE ± 0.25	± ---	BSMART	2011/02/17							
0 PLACE ±	±	APPROVED BY	DATE	MATERIAL NO. SEE TABLE						
ANGULAR ±1/2°		SMILLER	2011/02/25							
DRAFT WHERE APPLICABLE MUST REMAIN WITHIN DIMENSIONS				SIZE C		THIS DRAWING CONTAINS INFORMATION THAT IS PROPRIETARY TO MOLEX INCORPORATED AND SHOULD NOT BE USED WITHOUT WRITTEN PERMISSION				