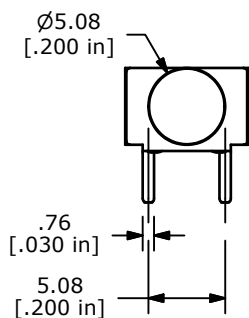
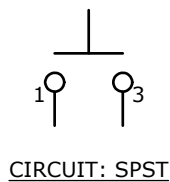


P.C. MOUNTING

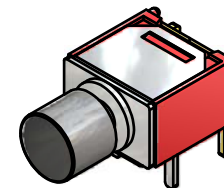
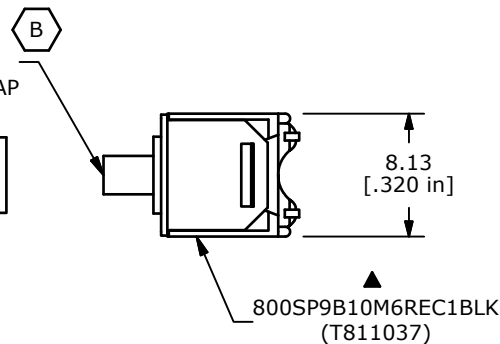
SWITCH FUNCTION	
POS. 1	POS. 2
OFF	(ON)
OPEN	1-3

(ON)=MOMENTARY

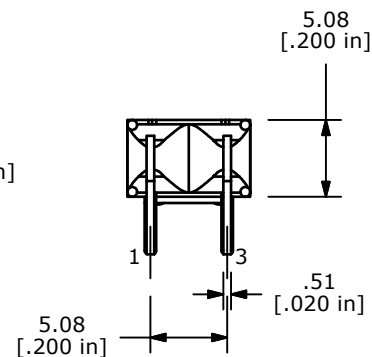
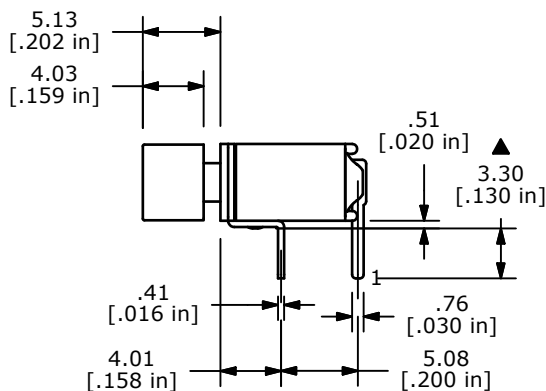


▲ ADD DROP OF EPOXY TO END OF ACTUATOR PRIOR TO ASSEMBLY OF CAP

▲ 800C1BLKCAP (T800100)



ISOMETRIC



NOTE:

1. ALL DIMENSIONS IN MM [INCH]
2. GENERAL TOLERANCE: X.X=±0.4
X.XX=±0.25
3. TERMINAL NUMBERS FOR REF ONLY
- ▲ 4. CONTACT MATERIAL: COPPER ALLOY W/ GOLD PLATE OVER NICKEL PLATE
- ▲ 5. RATING: 0.4VA @ 20V AC OR DC MAX.
6. MECHANICAL LIFE: 50,000 MAKE-AND-BREAK CYCLES
7. CONTACT RESISTANCE: 20 mΩ MAX. INITIAL @ 2-4VDC
100mA FOR BOTH GOLD AND SILVER CONTACTS
8. INSULATION RESISTANCE: 1,000 MEGA-OHM MIN.
9. ELECTRIC STRENGTH: 1,000 V RMS @SEA LEVEL.
10. OPERATING TEMP.: -30°C to 85°C
11. ▲ DENOTES CRITICAL PARAMETER.
12. 2002/95/EC (ROHS) COMPLIANT

D	20046	UPDATE DRAWING	07/05/11	BMA
C	14842	ADD EPOXIED CAP TO TITLE	04/08/05	AR
B	14807	ADD EPOXY NOTE IN TOP VIEW	03/30/05	AR
REV	PCR NO	DESCRIPTION	DATE	BY



TITLE 800SP9B10M6REC1BLK / EPOXIED CAP				
SCALE	DATE	DR	DWG	REV
2:1	3/25/2005	AR	XT0130P	D

THE INFORMATION CONTAINED IN THIS DOCUMENT IS PROPRIETARY TO E-SWITCH AND IS NOT TO BE COPIED OR TRANSFERRED