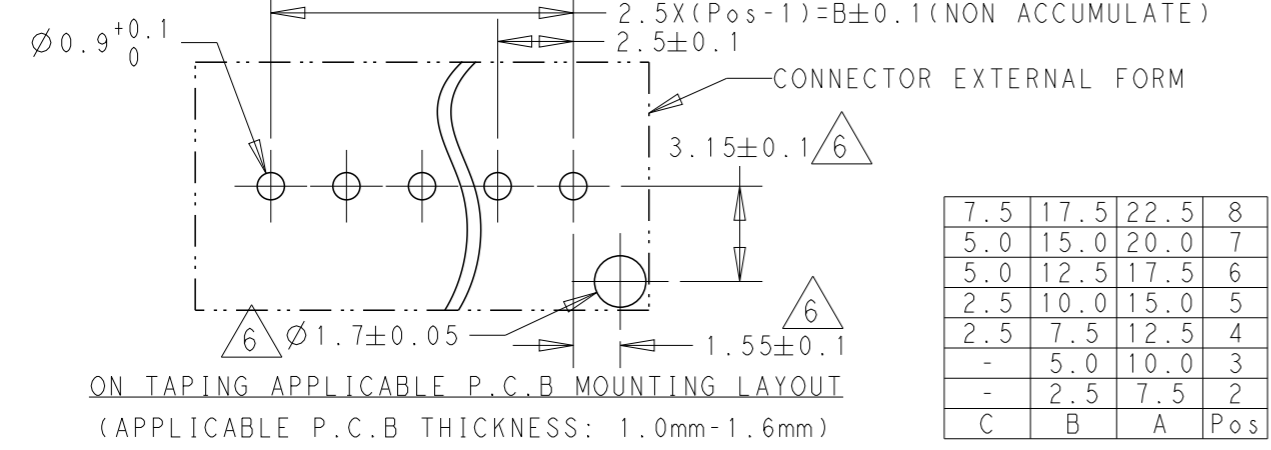
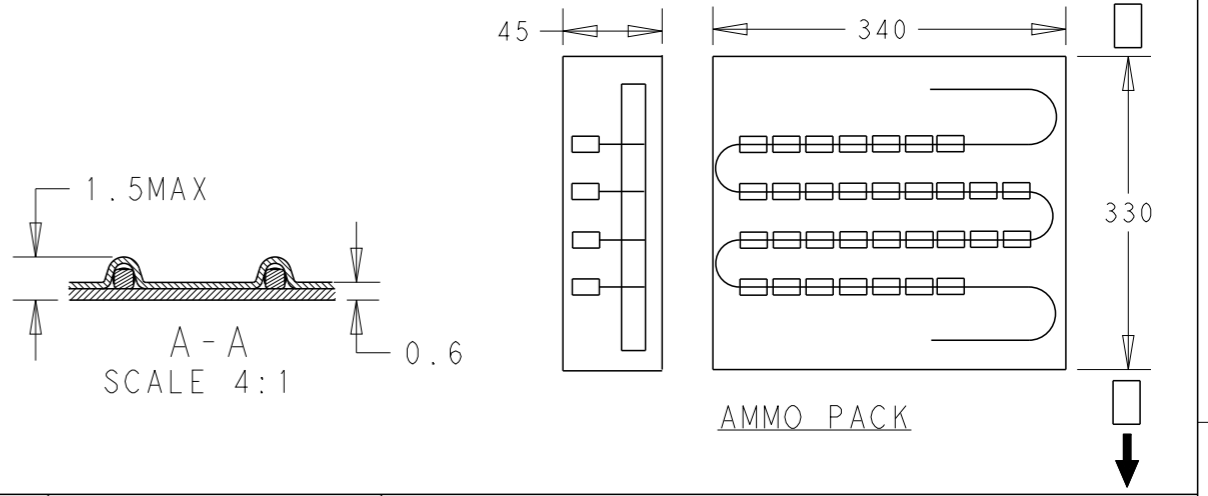
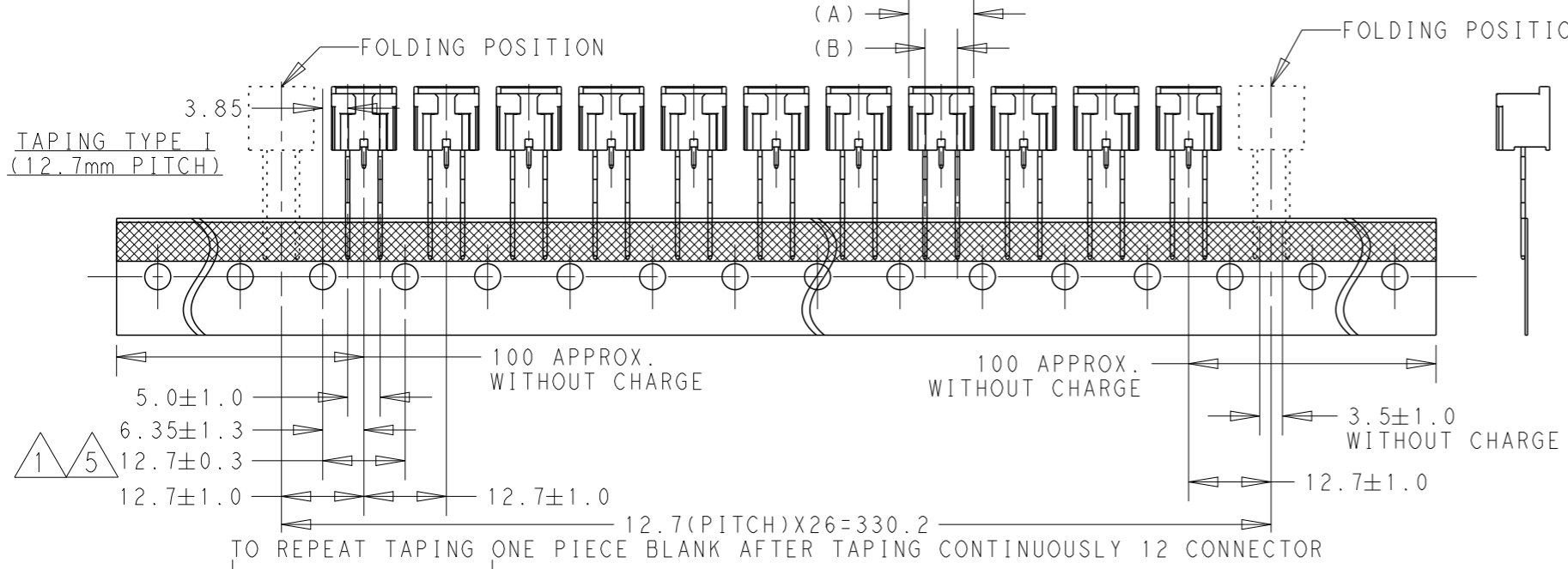
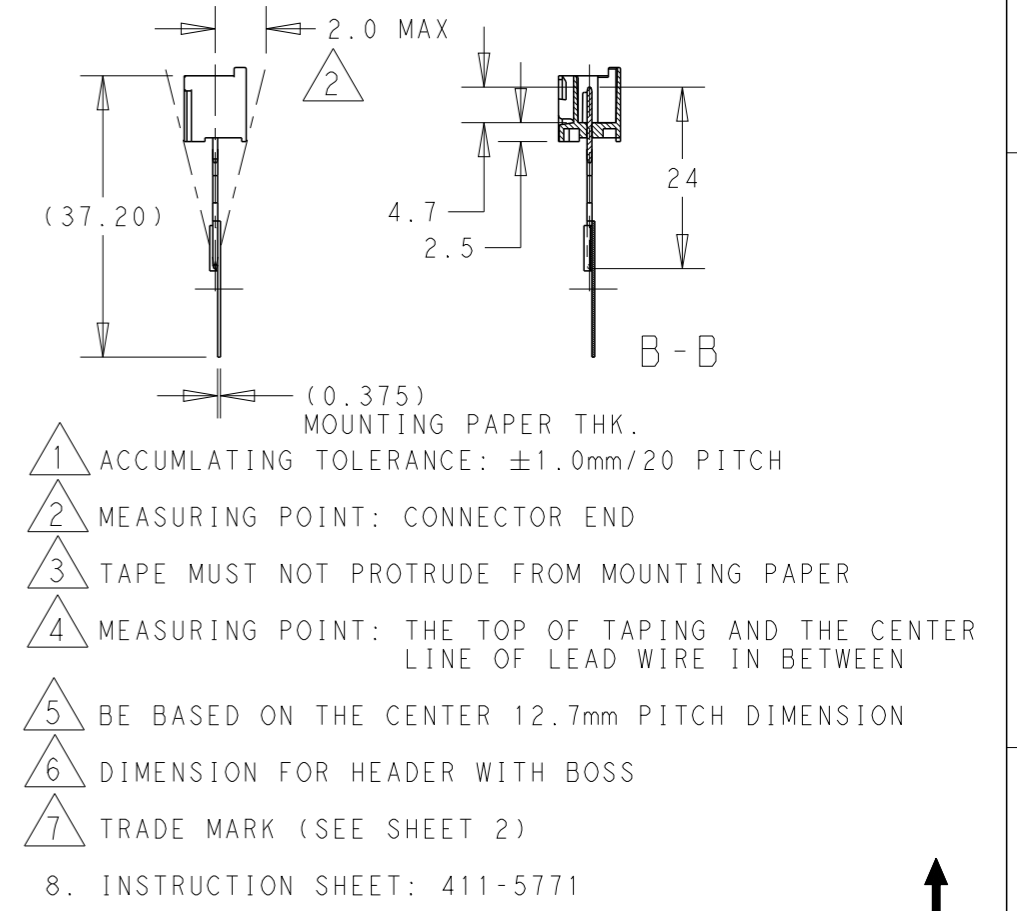
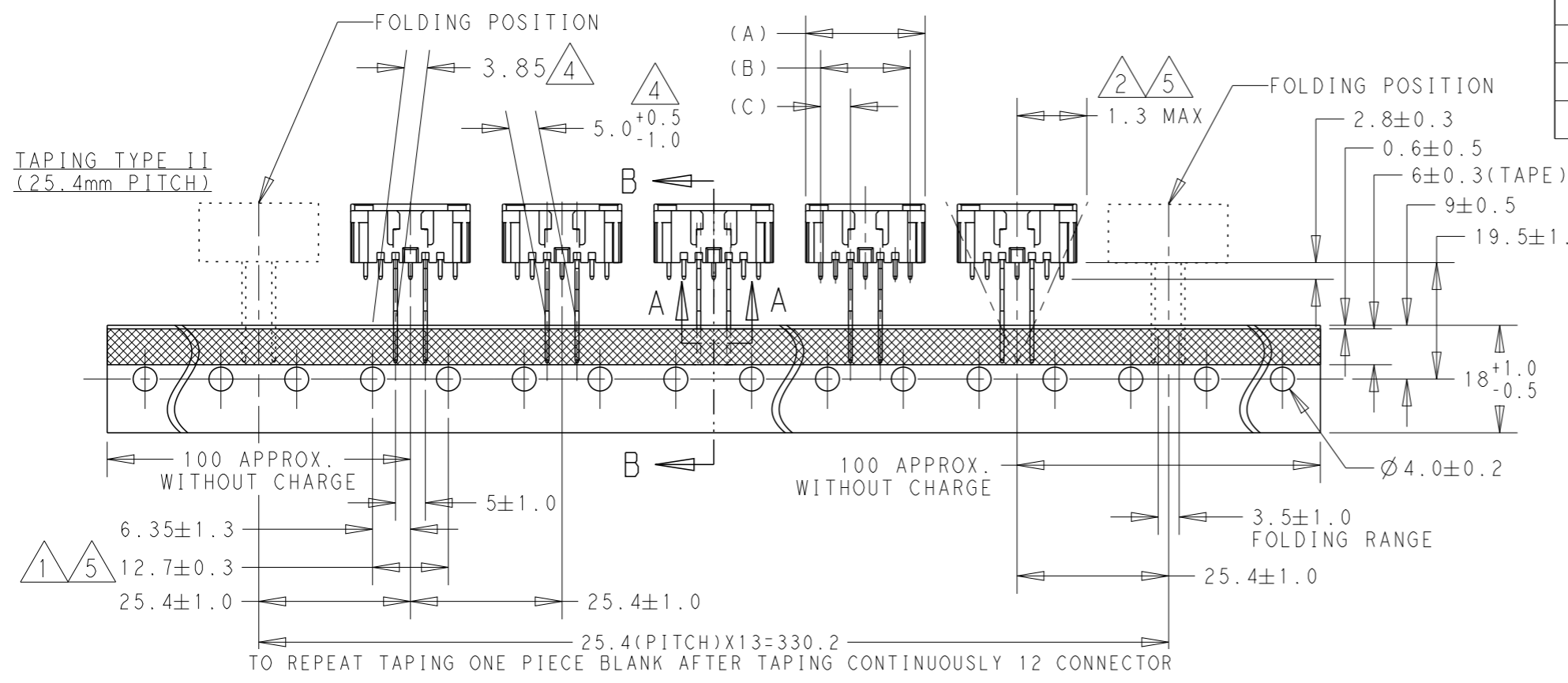


THIS DRAWING IS UNPUBLISHED. RELEASED FOR PUBLICATION 2017  
 © COPYRIGHT 2017 BY - ALL RIGHTS RESERVED.

REVISIONS

| P  | LTR | DESCRIPTION               | DATE      | DWN | APVD |
|----|-----|---------------------------|-----------|-----|------|
| H3 |     | REVISED PER ECR-17-000150 | 11JAN2017 | K.S | D.Z  |
| H4 |     | REVISED PER ECR-23-172621 | 22MAY2023 | SK  | DZ   |



THIS DRAWING IS A CONTROLLED DOCUMENT.

| DIMENSIONS: | TOLERANCES UNLESS OTHERWISE SPECIFIED: |
|-------------|--|
| mm          | 0 PLC ± ~10±0.2                        |
|             | 1 PLC ± 10~30±0.25                     |
|             | 2 PLC ± 30~100±0.3                     |
|             | 3 PLC ±                                |
|             | 4 PLC ±                                |
|             | ANGLES ±3°                             |
|             | FINISH                                 |

MATERIAL SEE TABLE 2

THIS DRAWING IS A CONTROLLED DOCUMENT.

DWN K. SAKAI 11JAN2017  
 CHK DANIEL ZHANG 11JAN2017  
 APVD DANIEL ZHANG 11JAN2017

NAME: ON TAPING 2.5mm SIGNAL DOUBLE LOCK STANDARD TYPE HEADER ASSEMBLY

PRODUCT SPEC: 108-5459

APPLICATION SPEC: -

WEIGHT: -

CUSTOMER DRAWING

SCALE: 1:1

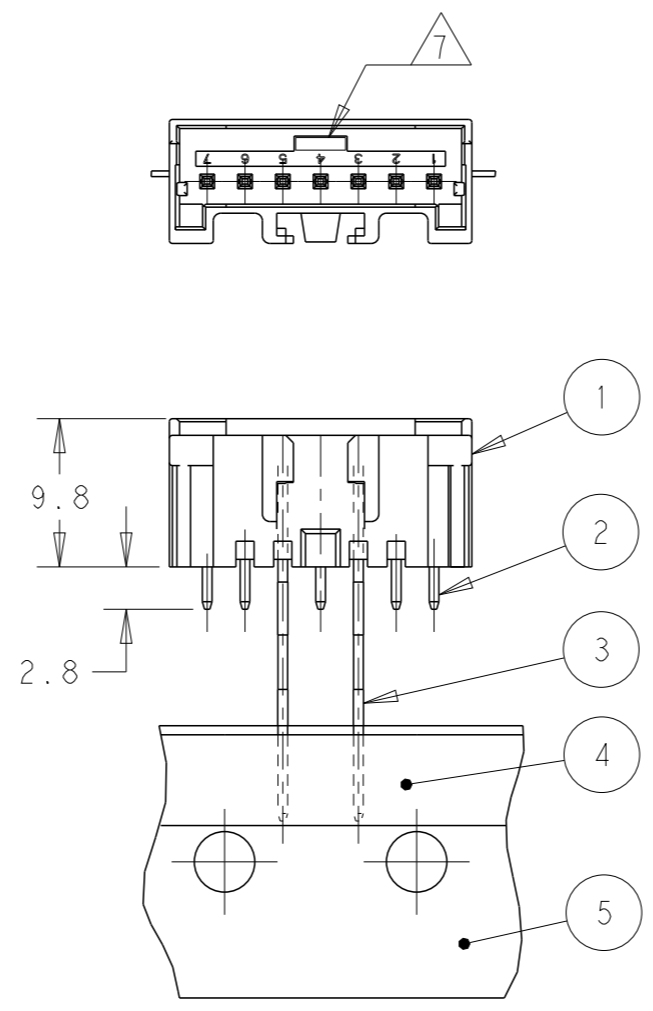
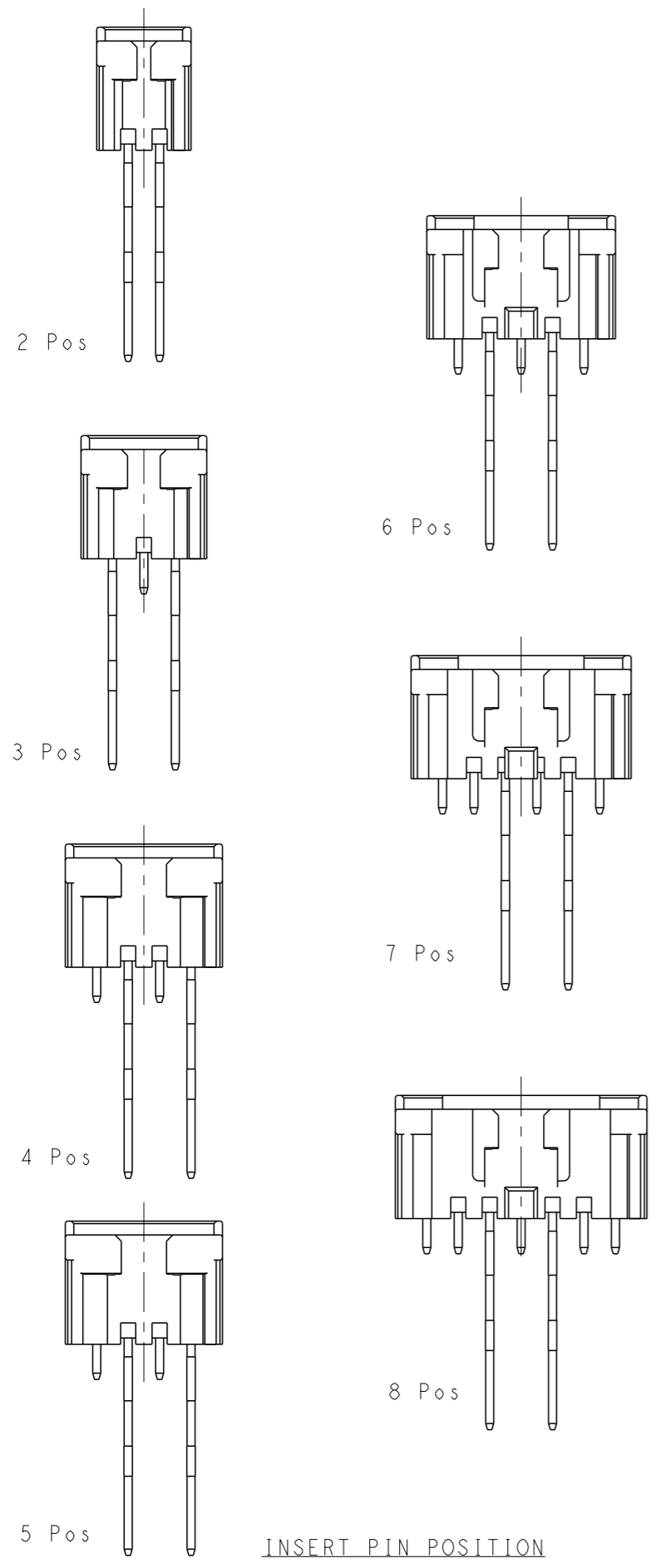
SHEET: 1 OF 2

REV: H4

RESTRICTED TO: -

THIS DRAWING IS UNPUBLISHED. RELEASED FOR PUBLICATION 2017  
 © COPYRIGHT 2017 BY - ALL RIGHTS RESERVED.

| REVISIONS |     |             |      |     |      |
|-----------|-----|-------------|------|-----|------|
| P         | LTR | DESCRIPTION | DATE | DWN | APVD |
|           | -   | SEE SHEET 1 | -    | -   | -    |
|           |     |             |      |     |      |
|           |     |             |      |     |      |



| ITEM NO. | NAME           | MATERIAL & FINISH                        |
|----------|----------------|--|
| ①        | HEADER HOUSING | 66 NAYLON GLASS FILLED<br>CTI: 250 ~ 399 |
| ②        | POST CONTACT   | PRE-TIN COPPER ALLOY                     |
| ③        | RADIALPIN      | PRE-TIN COPPER ALLOY                     |
| ④        | TAPE           | THERMAL PAPER                            |
| ⑤        | MOUNTING PAPER | CRAFT PAPER                              |

|          |         |         |             |     |     |                 |
|----------|---------|---------|-------------|-----|-----|-----------------|
|          | WITHOUT | NATURAL | II          | 450 | 8   | 917900-1        |
|          | WITHOUT | YELLOW  | II          | 450 | 7   | 917899-4        |
|          | WITH    | RED     | II          | 450 | 7   | 3-917899-2      |
| OBSOLETE | WITH    | NATURAL | II          | 450 | 7   | 3-917899-1      |
|          | WITHOUT | NATURAL | II          | 450 | 7   | 917899-1        |
|          | WITHOUT | NATURAL | II          | 450 | 6   | 917898-1        |
|          | WITHOUT | RED     | II          | 450 | 5   | 917897-2        |
|          | WITHOUT | NATURAL | II          | 450 | 5   | 917897-1        |
|          | WITHOUT | NATURAL | II          | 450 | 4   | 917896-1        |
|          | WITHOUT | BLACK   | I           | 900 | 3   | 917895-9        |
|          | WITHOUT | BLUE    | I           | 900 | 3   | 917895-6        |
| OBSOLETE | WITHOUT | RED     | I           | 900 | 3   | 917895-2        |
|          | WITHOUT | NATURAL | I           | 900 | 3   | 917895-1        |
|          | WITHOUT | BLUE    | I           | 900 | 2   | 917894-6        |
|          | WITHOUT | NATURAL | I           | 900 | 2   | 917894-1        |
|          | BOSS    | COLOR   | TAPING TYPE | QTY | Pos | P/N (ON TAPING) |

INSERT PIN POSITION

|   |  |                                     |  |       |           |            |               |
|---|--|-------------------------------------|--|-------|-----------|------------|---------------|
| THIS DRAWING IS A CONTROLLED DOCUMENT.  |  | DWN<br>K. SAKAI<br>11 JAN 2017      | TE Connectivity<br>ON TAPING 2.5mm SIGNAL DOUBLE LOCK<br>STANDARD TYPE HEADER ASSEMBLY |       |           |            |               |
| DIMENSIONS:<br>mm   |  | CHK<br>DANIEL ZHANG<br>11 JAN 2017  |  |       |           |            |               |
| TOLERANCES UNLESS OTHERWISE SPECIFIED:  |  | APVD<br>DANIEL ZHANG<br>11 JAN 2017 |  |       |           |            |               |
| 0 PLC ±<br>1 PLC ±<br>2 PLC ±<br>3 PLC ±<br>4 PLC ±<br>ANGLES ±3°<br>FINISH - |  | PRODUCT SPEC<br>108-5459            |  |       |           |            |               |
| MATERIAL<br>SEE TABLE 2   |  | APPLICATION SPEC<br>-               | NAME   | SIZE  | CAGE CODE | DRAWING NO | RESTRICTED TO |
|   |  | WEIGHT<br>-                         |  | A3    | -         | 917894     | -             |
| CUSTOMER DRAWING  |  |                                     | SCALE  | SHEET | OF        | REV        |               |
|   |  |                                     | 2:1  | 2     | 2         | H4         |               |