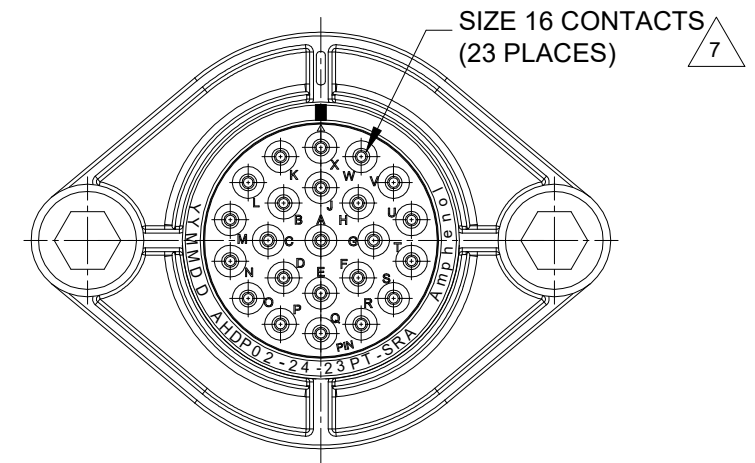


| REVISIONS |     |                     |           |      |       |
|-----------|-----|---------------------|-----------|------|-------|
| REV       | ECO | DESCRIPTION         | DATE      | BY   | APPR  |
| A1        | --  | RELEASE NEW DRAWING | 16/NOV/22 | MILO | TOMMY |



M5X0.8-6H 8mm(2X) DEEP  
THREADED INSERT

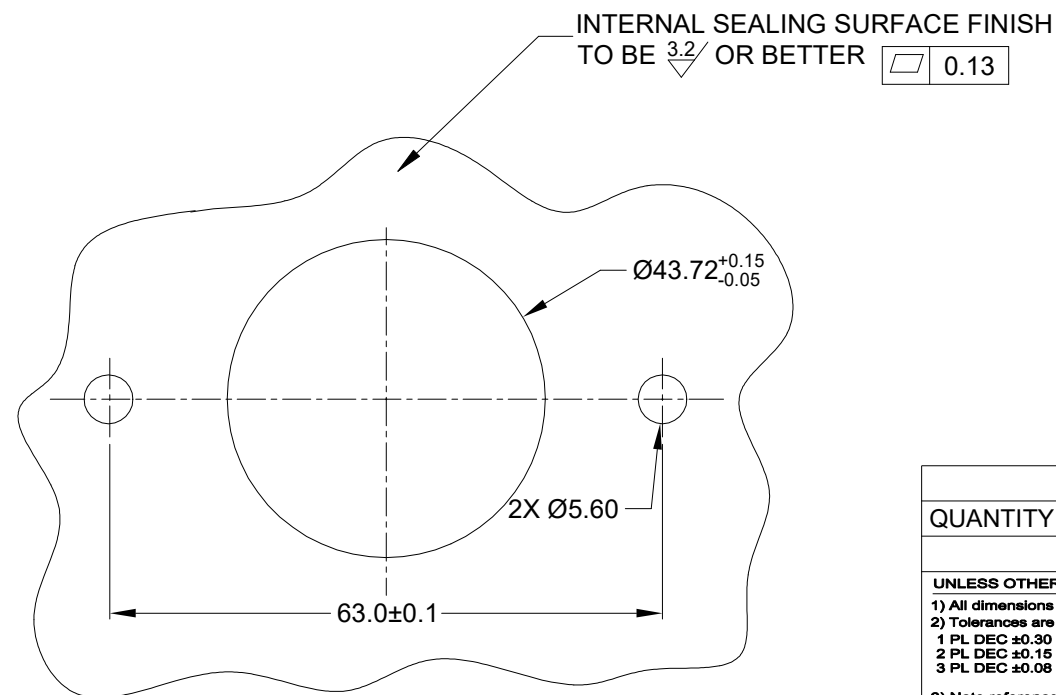
RECOMMENDED TORQUE  
VALUES: 1.9-2.2 N.m

NOTES: UNLESS OTHERWISE SPECIFIED

- MATERIAL:**  
HOUSING: THERMOPLASTIC; BLACK  
SEAL: SILICONE RUBBER  
THREADED INSERT: STAINLESS STEEL
- MODIFICATIONS:** SMOOTH RING ADAPTER (SRA);  
THIN WALL DIA. WIRE SEAL  
SEALED PANEL MOUNT
- SPECIFICATIONS:**
  - OPERATING TEMPERATURE: -55°C TO +125°C.
  - DIELECTRIC WITHSTANDING VOLTAGE: LESS THAN 2 MILLIAMPS CURRENT LEAKAGE @ 1500 VOLTS AC.
  - INSULATION RESISTANCE: 1000 MEGOHM MIN @ 25°C
  - MOISTURE RESISTANCE:  
IP68(IM OF WATER FOR A PERIOD OF 24 HOURS, MATED CONDITION);  
IP69K(MATED CONDITION)
  - MATING CYCLE DURABILITY: 100 CYCLES
  - RoHS COMPLIANT
- MATING PART:** AHDP06-24-23S\* (\* = SEAL TYPE)
- ALL DIMENSIONS ARE FOR REFERENCE USE ONLY.
- RECEPTACLE IS SUPPLIED WITH DUST CAP (NOT SHOWN)

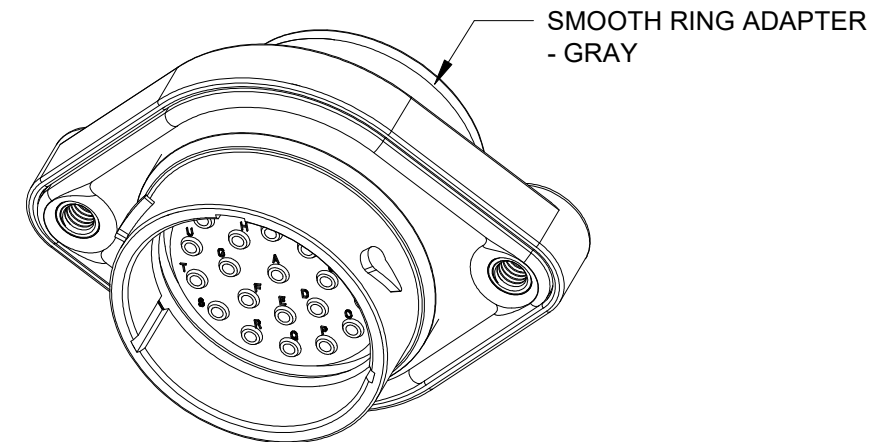
CONTACT SIZE AND WIRE RANGE:

| CONTACT SIZE | MIN.INSUL O.D   | MAX.INSUL O.D   | WIRE RANGE mm <sup>2</sup>         |
|--------------|-----------------|-----------------|------------------------------------|
| 16           | 2.23mm (.088in) | 2.69mm (.106in) | 14-20AWG (2.0-0.5mm <sup>2</sup> ) |



RECOMMENDED PANEL  
MOUNTING HOLE

RECOMMENDED PANEL  
THICKNESS: 1.6 TO 4.7MM



| QUANTITY | AHDP02-24-23PT-SRA | DESCRIPTION | ITEM |
|----------|--------------------|-------------|------|
|          |                    |             |      |

| MATERIALS LIST           |           |  |  |
|--------------------------|-----------|--|--|
| SIGNATURES               | DATE      |  |  |
| DRAWN: MILO.DONG         | 16/NOV/22 | <h1>Amphenol</h1> <p>Sine Systems - www.amphenol-sine.com<br/>44724 Morley Drive<br/>Clinton Township, MI 48036</p>  |  |
| CHECKED: SULLENZHANG     | 17/NOV/22 |  |  |
| ENGINEER:                |           |  |  |
| APPROVAL: TOMMY.XIE      | 18/NOV/22 |  |  |
| MATERIAL SPECIFICATIONS: |           | CUSTOMER:  |  |
| WEIGHT: 62.6g            |           | 23POS,RECEPTACLE,PIN,SZ24,<br>THIN WIRE SEAL,SRA,PANELMATE AHDP  |  |
| PROCESS SPECIFICATIONS:  |           | THIS DRAWING IS SUPPLIED FOR INFORMATION ONLY. DESIGN FEATURES, SPECIFICATIONS AND PERFORMANCE DATA SHOWN HEREON ARE THE PROPERTY OF THE AMPHENOL CORPORATION. NO RIGHTS OF REPRODUCTION ARE IMPLIED. ALL DIMENSIONS ARE SUBJECT TO NORMAL MANUFACTURING VARIATIONS. |  |
| NEXT ASSY:               |           | SCALE: NONE  |  |
|                          |           | DURAMATE   |  |
|                          |           | SHEET 1 OF 1   |  |

TITLE: 23POS,RECEPTACLE,PIN,SZ24,THIN WIRE SEAL,SRA,PANELMATE AHDP  
DWG NO: AHDP02-24-23PT-SRA  
REV: A1  
SH: 1  
OF: 1