

## CTSFW1040F Series

From .15µH to 5.6µH



### CHARACTERISTICS

**Description:** SMD flat wire high current power inductors

**Features:**

- Magnetic shielded structure, excellent resistance to electromagnetic interference
- Flat wire winding, achieve a low DC resistance
- Lightweight design, save space, suitable for high density SMT

**Applications:** Low loss, high efficiency, wide application frequency, and application scope

**Operating Temperature:** -55°C to +150°C

**Inductance Tolerance:** ±20%

**Testing:** Inductance at 100kHz, 0.1V

**Packaging:** Tape & Reel.

**Miscellaneous:** **RoHS Compliant.**

**Additional Information:** Additional electrical & physical information available upon request.

**Samples available. See website for ordering information.**

### SPECIFICATIONS

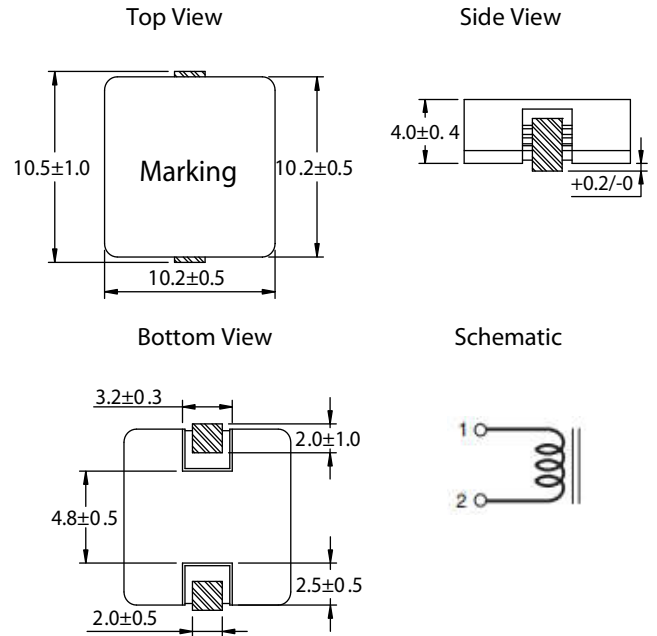
\*Isat: Value of inductance decrease within 30%

\*\*I<sub>rms</sub>: A rise in temperature of core surface is within 50°C

| Part Number     | Inductance ±20% (µH) | DCR Nom.(Max.) (mΩ) | Isat(A) Drop ≤30% | I <sub>rms</sub> (A) Rise ≤50°C |
|-----------------|----------------------|---------------------|-------------------|---------------------------------|
| CTSFW1040F-R15M | 0.15                 | 0.58(0.60)          | 60.00             | 25.00                           |
| CTSFW1040F-R30M | 0.30                 | 1.10(1.20)          | 35.00             | 22.00                           |
| CTSFW1040F-R56M | 0.56                 | 1.60(1.80)          | 30.00             | 20.00                           |
| CTSFW1040F-1R0M | 1.00                 | 3.30(3.60)          | 20.00             | 16.00                           |
| CTSFW1040F-1R5M | 1.50                 | 5.30(5.80)          | 17.00             | 14.00                           |
| CTSFW1040F-2R0M | 2.00                 | 7.30(8.00)          | 13.00             | 11.00                           |
| CTSFW1040F-2R8M | 2.80                 | 10.60(11.70)        | 11.00             | 9.50                            |
| CTSFW1040F-4R3M | 4.30                 | 14.10(15.50)        | 8.00              | 8.00                            |
| CTSFW1040F-5R6M | 5.60                 | 20.60(22.70)        | 7.50              | 6.70                            |

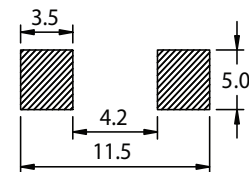
### PHYSICAL DIMENSIONS

Unit: mm



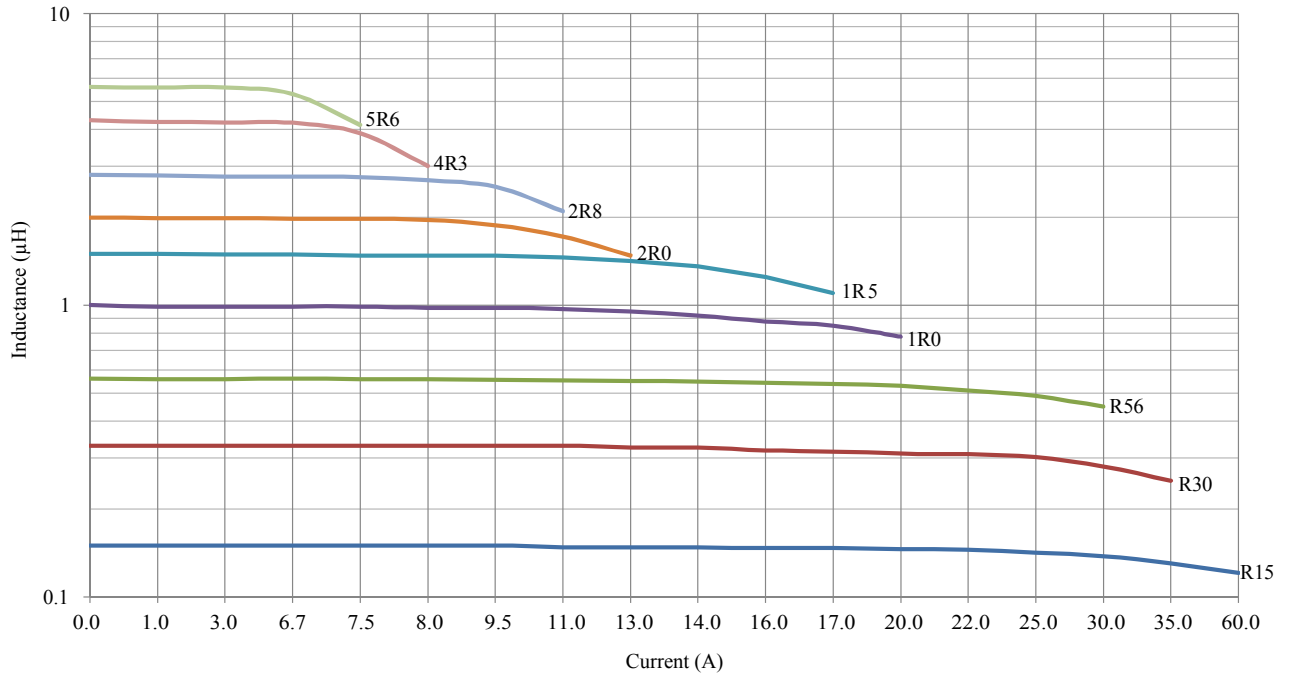
### PAD LAYOUT

Unit: mm



## CTSFW1040F Series

Typical Inductance vs Current Characteristics



Typical Temperature Rise vs Current Characteristics

