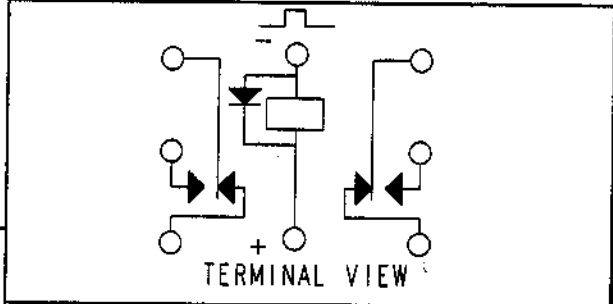


REV. 0
DCO 143756

COIL: @ 25°C	
RESISTANCE	100 OHMS ±10%
NOMINAL VOLTAGE	5.0 VDC
MUST OPERATE	2.6 VDC
MUST RELEASE	1.4 VDC MAX. 0.23 VDC MIN.

ENVIRONMENT:	
VIBRATION	10 Hz TO 3000 Hz @ 30 g's
SHOCK	75 g's 6 MS. DURATION
TEMPERATURE	-65 °C TO +125 °C
NOTES: OPERATE TIME 4.0 MS MAX	
RELEASE TIME 7.5 MS MAX	
CONTACT BOUNCE 1.5 MS MAX.	

CUSTOMER DATA SHEET



CONTACT RATING: LOW LEVEL TO 1 AMP
28 VDC RESISTIVE 100,000 OPERATIONS MIN

DR. B.D. 22MAY03 *CK [Signature] 5/23/03*



CUST. QPL
CUST. NO. M39016/42-049L REV.

"JMGSD" RELAY

JMGSCD-5LW