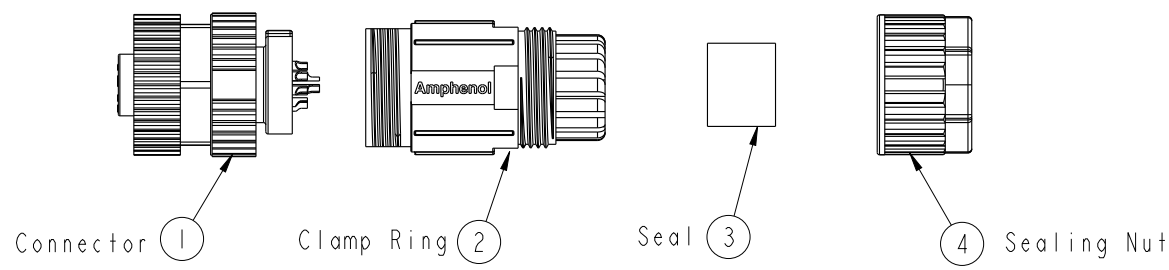
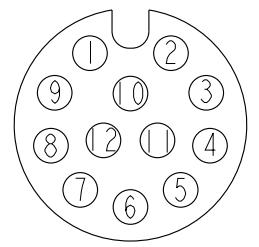


REV.	ECN NO.	DATE	SIGN	DESCRIPTION
A	Initial Release	2015/05/07	Lu Di	Change Rev.01 To Rev.A
B	LEN1670558	2016/07/22	Yulong_wang	Change the Note.

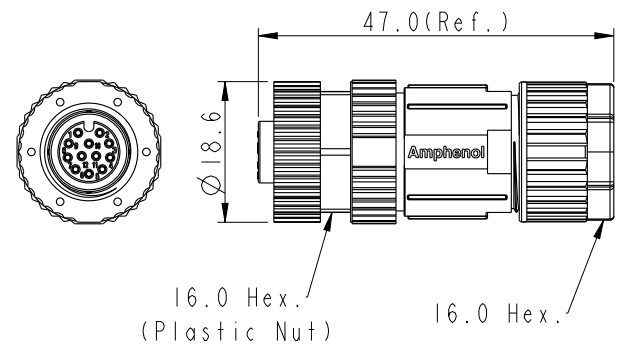
ALTW
CONFIDENTIAL
 2016-07-22
R&D DEPT.



ALTW
 DCC. DEPT.
CONFIDENTIAL
 2016.07.26
ISSUED



Pin Assignments
 Front View



- Note:
- * \varnothing Important Dimension To Check.
 - * Waterproof Rate: IP67.
 - * Housing: Nylon, Black.
 - * Female Pin: Copper Alloy, Gold Plated.
 - * Nut: PBT+PC, Black.
 - * O-Ring: Silicone, Grey.
 - * Clamp Ring: Nylon, Black.
 - * Sealing Nut: PBT+PC, Black.
 - * Seal: Silicone, Grey.
 - * Seal For Cable OD: $\varnothing 4.0\text{mm} - \varnothing 8.0\text{mm}$
 - * Applicable Wire gauge (Stranded wire cross section) 26AWG ~ 24AWG
 - * Mating Recommended tightening torque: 3~4 kgf.cm / 0.29~0.39 N.m
 - * Sealing-Nut Recommended tightening torque: 4~6 kgf.cm / 0.39~0.59 N.m
 - * Detailed applicable wire specifications may vary depending on the actual wire construction.

UNIT: mm		
TOLERANCE		
.X	± 0.25	
.XX	± 0.1	
.XXX	± 0.05	
ANGLES	$\pm 1^\circ$	

TITLE M12 Unshielded Assy 12Pin F Conn. F Pin			
SCALE 1:1	SIZE A4	SHEET 1 OF 1	
REV. B	WC-REV. A.5	\varnothing : Inspection item	

Amphenol LTW
 安費諾亮泰企業股份有限公司

ITEM NO. MSAP-12BFFA-SL7001	DRAWN BY Yulong_wang	DATE 2016-07-22
DWG NO. MSAP-12BFFA-SL7001	CHECKED BY Jinhai	DATE 2016-07-22
CUSTOMER ALTW	APPROVED BY Jerry	DATE 2016-07-22

THIS DOCUMENT IS SUBJECT TO CHANGE WITHOUT NOTICE. IT IS CONFIDENTIAL AND A PROPERTY OF Amphenol LTW. DISCLOSURE TO THIRD PARTY HAS TO BE AUTHORIZED BY Amphenol LTW.