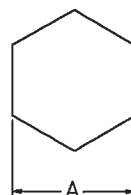
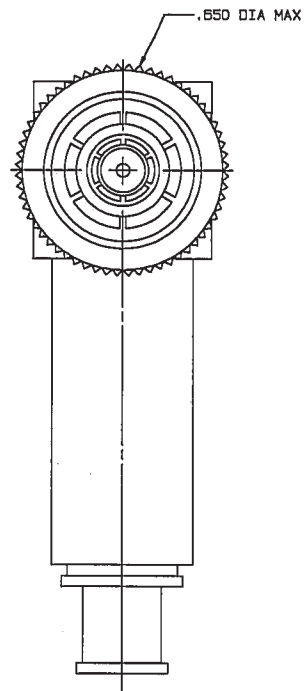


RED INDICATES ORIGINAL

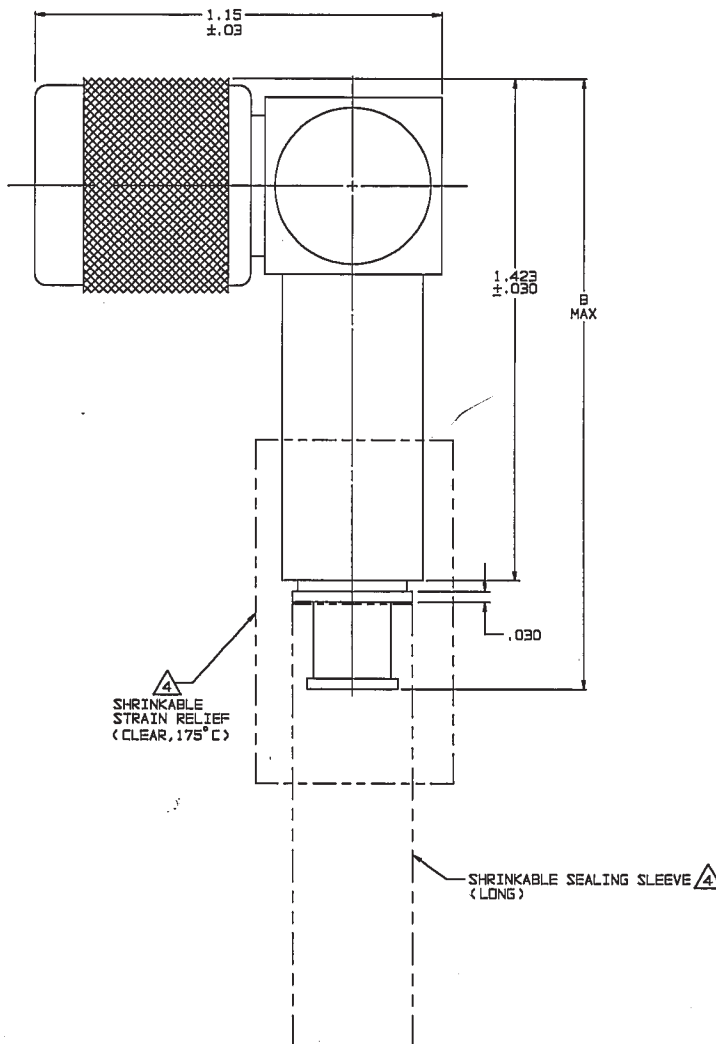
DATA CONTAINED IN THIS DOCUMENT IS PROPRIETARY TO TROMPETER ELECTRONICS INC. AND SHALL NOT BE DISCLOSED, COPIED OR USED FOR PROCUREMENT OR MANUFACTURE WITHOUT EXPRESS WRITTEN PERMISSION.

REV		ED	DESCRIPTION	DWN	APPROVED	DATE
K		12387	ADDED -224 & -225; ADDED NOTE [4] SHEET 2; SEE ECO	DKC	<i>Wm Am.</i>	7/22/98

DASH NO	CABLES ACCOMMODATED	INCH MM		ASSEMBLE PER
		A HEX	B DIM	
-201	M17/176-00002	.005	0.13	
-202	TWC-7B-1	.030	0.76	
-203	TWC-124-1A	.344	8.74	
-204	10602 RAYCHEM	.650	16.51	
-205	TWAC-7B-1F2	1.00	25.40	
-206	782600130 RAYCHEM	1.15	29.21	1.79 TAI-189
-207	83310 BELDEN	1.25	31.75	
-208	202-3927 MICRODOT	1.423	36.14	
-209	202-3942 MICRODOT	1.51	38.35	
-210	8451 BELDEN	1.75	44.45	
-211	202-3934 MICRODOT	1.79	45.47	
-212	2524E0114 RAYCHEM			
-213	TWC-7B-2			
-214	TWC-124-2	1.51		TAI-161
-215	BL-982 TIMES			
-216	BL-1242 TIMES			
-217	GCB75TM24H GRUMMAN			
-218	EPD 221888 RAYCHEM	.344		
-219	2526D1114, RAYCHEM			
-220	GCB75RR1, GRUMMAN	1.79		TAI-189
-221	10B14, RAYCHEM			
-222	10B13, RAYCHEM			
-223	HMS2-1149, HUGHES			
-224	TWCP-124-3	1.51		TAI-161
-225	PS865PL, PRIME STOCK			
-301	GCB75GC1, GRUMMAN			
-302	GCB75GB1, GRUMMAN			
-303	7528A5314, RAYCHEM	1.79		TAI-154
-304				
-305	M17/177-00001, THERMATICS			
-306	TRC-50-2	1.51		TAI-17B
-307	M17/134-00002	1.79		TAI-154
-308	TRC-75-1	1.51		TAI-17B
-309	TRC-75-2	1.79		TAI-154



RECOMMENDED
HEX CRIMP



SHRINKABLE STRAIN RELIEF (CLEAR, 175°C)

SHRINKABLE SEALING SLEEVE (LONG)

-201 SHOWN

6. EXAMPLE OF COMPLETE MODEL NO:
 PLR375C - 201
 BASIC MODEL NO CABLE GROUP DASH NO
5. IF SAFETY WIRE TYPE REQ'D ADD SUFFIX *S* TO MODEL NO. (PLR375CS)
- A** 1. SHRINKABLE STRAIN RELIEF AND/OR SHRINKABLE SEALING SLEEVE SUPPLIED LOOSE AS FOLLOWS:
- a. CABLE GROUPS -201 THROUGH -210, -217 THROUGH -303, -305, -307 & -309
 - 1 SHRINKABLE STRAIN RELIEF (1.00 LONG)
 - 1 SHRINKABLE SEALING SLEEVE (1.25 LONG)
 - b. CABLE GROUPS -211 THROUGH -216, -306 & -308
 - 1 SHRINKABLE STRAIN RELIEF (1.75 LONG)
3. THREADED BAYONET CONCENTRIC TWINAX/TRIAx TRB RIGHT ANGLE FULL CRIMP CABLE PLUG
2. FINISH: TFS-1A (NICKEL)
1. ALL DIM ARE IN INCHES

QTY	DESCRIPTION	PART NUMBER	ITEM
TOL UNLESS SPECIFIED .001 ± .002 ± .005 .0000 ± ANGLES		TROMPETER RF connectivity	PLR375C/ PLR375CS
DWN	DKC 5-18-98	MATERIAL	CODE IDENT
CHK	LAM 6-8-98	14949	310-0074
ENGR			REV K
APPR	Wm. 7/16/98	SCALE 4/1	DATE 8/28/98 SHEET 1 OF 2