

6

5

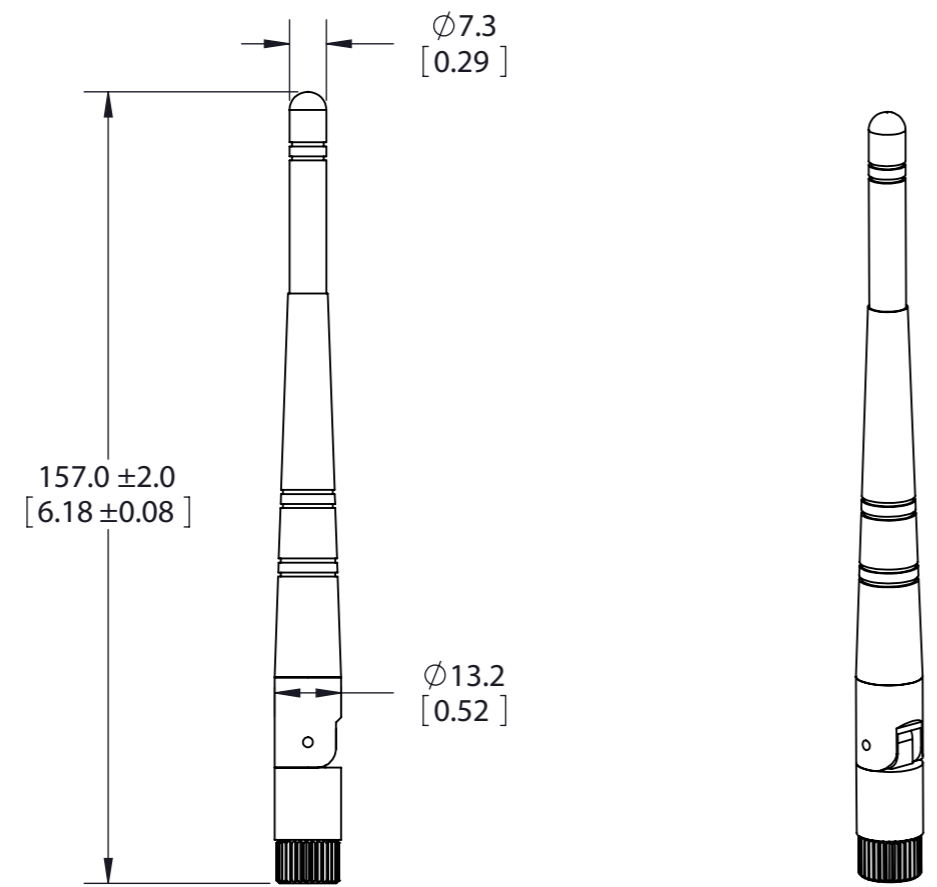
4

3


2

1

REVISIONS					
REV.	ECR#	ZONE	DESCRIPTION	CHANGED BY/DATE	APPROVED BY/DATE
AA			INITIAL RELEASE	TB 03-30-09	TB 03-30-09



PARAMETER	PERFORMANCE
Model Number	RD2458-5-SMA
Antenna Type	Dipole
Frequency	2.40-2.50GHz/4.9-5.85GHz
Input Impedance	50 Ohms
VSWR	2.0:1
RF Connector	SMA
Radome	Black, TPEE

MATERIAL: N/A	THIRD ANGLE PROJECTION			
FINISH: N/A	DO NOT SCALE DRAWING			
APPROVALS		RD2458-5-SMA		
DRAWN BY: T.BOWSER	DATE: 03-30-09	<p>INTERPRET DIMENSIONING AND TOLERANCING IN ACCORDANCE WITH ASME Y14.5M-1994</p> <p>TOLERANCES UNLESS OTHERWISE SPECIFIED</p> <p>DIMENSIONS ARE IN MILLIMETERS</p> <p>ANGLE: ±30' 0 PLACE DECIMAL: ±0.5 1 PLACE DECIMAL: ±0.25 2 PLACE DECIMAL: ±0.13</p> <p>SURFACE ROUGHNESS 1.6/√</p>		
PROJ. ENG: T. PETROPOULOS	DATE: 12/15/09			
APPL. MECH: R. CHICOINE	DATE: 12/15/09			
MFG: I. CHICKLIS	DATE: 12/15/09			
<p>THIS DRAWING IS UNPUBLISHED. RELEASED FOR PUBLICATION</p> <p>© Copyright 2022 TE Connectivity Ltd. ALL RIGHTS RESERVED.</p>		<p>SIZE: A3</p> <p>SCALE: 1:1</p>	<p>DWG. NO. RD2458-5-SMAMO</p> <p>PREVIOUS#</p>	<p>REV: AA</p> <p>SHEET 1 OF 1</p>

6

5

4

3

2

1