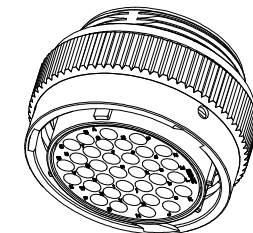
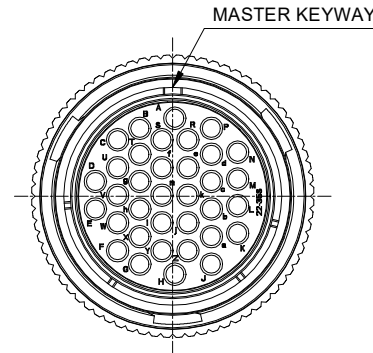
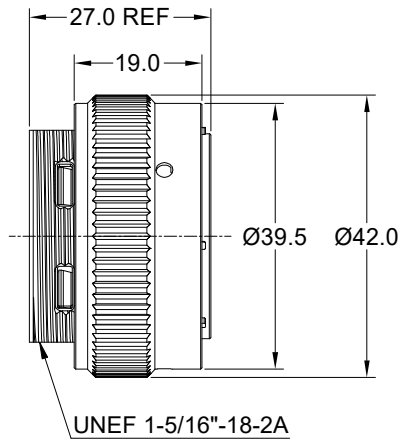


REVISIONS					
REV	ECO	DESCRIPTION	DATE	BY	APPR
A1	-	RELEASED DRAWING	Jun-28-2017	Flan	Tommy
A2	-	INCREASED VOLTAGE RATING AND ADD KEY VIEW	Sep-27-2020	Ronald	Tommy



NOTES:

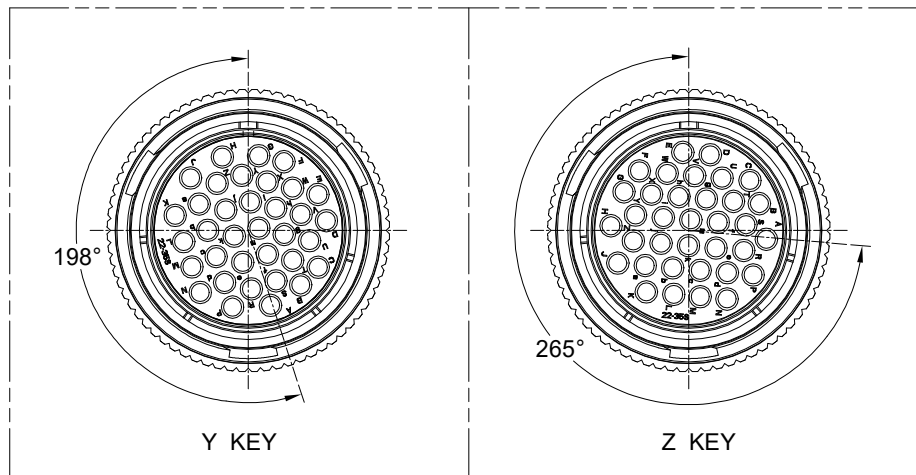
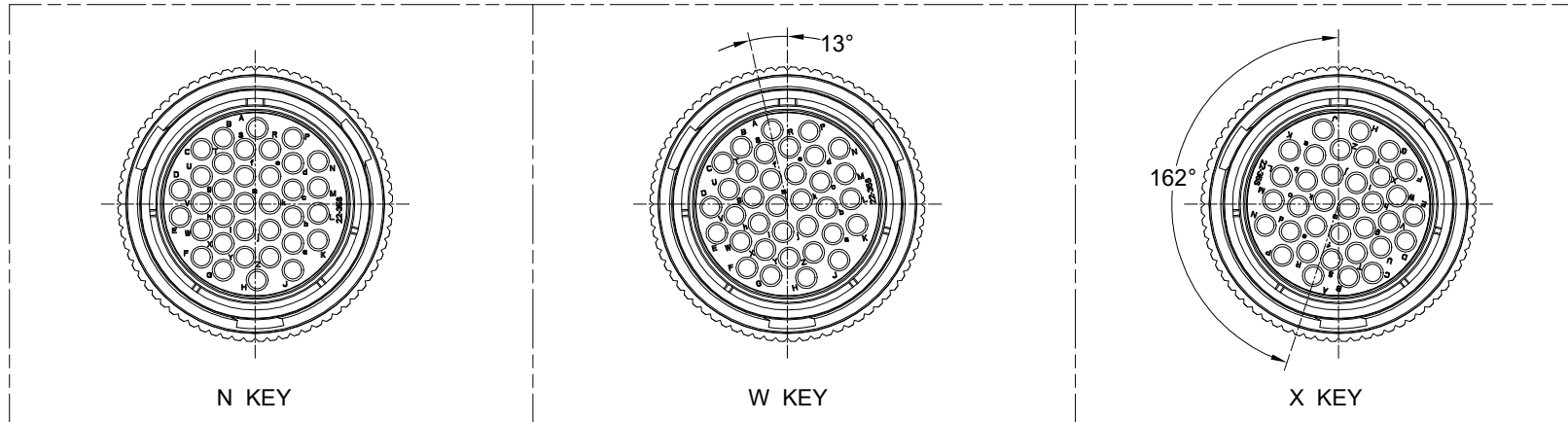
- MATERIAL:**
 SHELL: ZINC ALLOY, NICKEL PLATED.
 INSERT: THERMOPLASTIC, UL94 V-0.
 COUPLING NUT: AL ALLOY, NICKEL PLATED.
 SEAL GASKET: SILICONE RUBBER.
 O-RING: NBR/SILICONE RUBBER.
- SPECIFICATIONS:**
 - RATED CURRENT: 13A (MAX).
 - RATED VOLTAGE: 500V (AC/DC).
 - OPERATING TEMPERATURE: SEE CHART.
 - DIELECTRIC WITHSTANDING VOLTAGE: LESS THAN 2 MILLIAMPS CURRENT LEAKAGE@2000 VOLTS AC.
 - INSULATION RESISTANCE: 5000 MEGOHMS MIN.
 - IP--CLASS: IP67 AND IP69K (MATED CONDITION).
 - MATING CYCLES DURABILITY: 500 CYCLES MIN.
 - RoHS COMPLIANT.
- SUITABLE CONTACTS : 16# CONTACTS.**
- ALL DIMENSIONS ARE FOR REFERENCE USE ONLY.**

KEY POS	PART NUMBER	
	-40°C ~ 105°C	-40°C ~ 125°C
N	RT062235SNHSS	RT062235SNH03SS
W	RT062235SWHSS	RT062235SWH03SS
X	RT062235SXHSS	RT062235SXH03SS
Y	RT062235SYHSS	RT062235SYH03SS
Z	RT062235SZHSS	RT062235SZH03SS

QUANTITY	SEE PART NUMBER CHART	DESCRIPTION	ITEM
MATERIALS LIST			
UNLESS OTHERWISE SPECIFIED 1) All dimensions are in metric(mm). 2) Tolerances are as follows: 1 PL DEC ±0.30 2 PL DEC ±0.15 3 PL DEC ±0.08 Fractions ±1/64 Angles ±1° 3) Note reference =		SIGNATURES DATE DRAWN: <u>Ronald</u> <u>Sep-27-2020</u> CHECKED: <u>Flan</u> <u>Sep-28-2020</u> ENGINEER: APPROVAL: <u>Tommy</u> <u>Sep-29-2020</u> CUSTOMER:	 Sine Systems - www.amphenol-sine.com 44724 Morley Drive Clinton Township, MI 48036
MATERIAL SPECIFICATIONS: PROCESS SPECIFICATIONS: NEXT ASSY:		THIS DRAWING IS SUPPLIED FOR INFORMATION ONLY. DESIGN FEATURES, SPECIFICATIONS AND PERFORMANCE DATA SHOWN HEREON ARE THE PROPERTY OF THE AMPHENOL CORPORATION. NO RIGHTS OF REPRODUCTION ARE IMPLIED. ALL DIMENSIONS ARE SUBJECT TO NORMAL MANUFACTURING VARIATIONS.	ECOMATE RSSM,PLUG,SOCKET,SIZE 22,35POS RT062235S*HxSS A2 SCALE: NONE SHEET 1 OF 2

TITLE: ECOMATE RSM,PLUG,SOCKET,SIZE 22,35POS
 DWG NO.: RT062235S*HxSS
 REV: A2
 SH: 1
 OF: 1

REVISIONS					
REV	ECO	DESCRIPTION	DATE	BY	APPR
A1	-	RELEASED DRAWING	Jun-28-2017	Flan	Tommy
A2	-	INCREASED VOLTAGE RATING AND ADD KEY VIEW	Sep-27-2020	Ronald	Tommy



TITLE: ECOMATE RSM PLUG SOCKET SIZE 22,35POS
 DWG NO: RT062235S*HxSS
 REV: A2
 SH: 1
 OF: 1

QUANTITY	SEE PART NUMBER CHART	DESCRIPTION	ITEM
MATERIALS LIST			
UNLESS OTHERWISE SPECIFIED 1) All dimensions are in metric(mm). 2) Tolerances are as follows: 1 PL DEC ±0.30 2 PL DEC ±0.15 3 PL DEC ±0.08 Fractions ±1/64 Angles ±1° 3) Note reference =		SIGNATURES DATE DRAWN: Ronald Sep-27-2020 CHECKED: Flan Sep-28-2020 ENGINEER: APPROVAL: Tommy Sep-29-2020 CUSTOMER:	 Sine Systems - www.amphenol-sine.com 44724 Morley Drive Clinton Township, MI 48036
MATERIAL SPECIFICATIONS: PROCESS SPECIFICATIONS: NEXT ASSY:		THIS DRAWING IS SUPPLIED FOR INFORMATION ONLY. DESIGN FEATURES, SPECIFICATIONS AND PERFORMANCE DATA SHOWN HEREON ARE THE PROPERTY OF THE AMPHENOL CORPORATION. NO RIGHTS OF REPRODUCTION ARE IMPLIED. ALL DIMENSIONS ARE SUBJECT TO NORMAL MANUFACTURING VARIATIONS.	ECOMATE RSSM, PLUG, SOCKET, SIZE 22,35POS SIZE TYPE DWG NO: B C- RT062235S*HxSS SCALE NONE SHEET 2 OF 2 REVISION A2