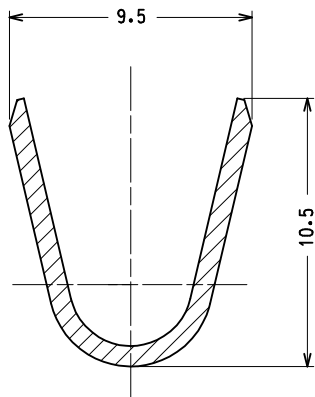
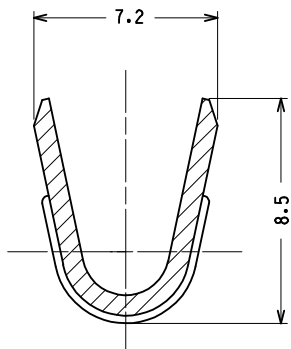


10 9 8 7 6 5 4 3 2 1

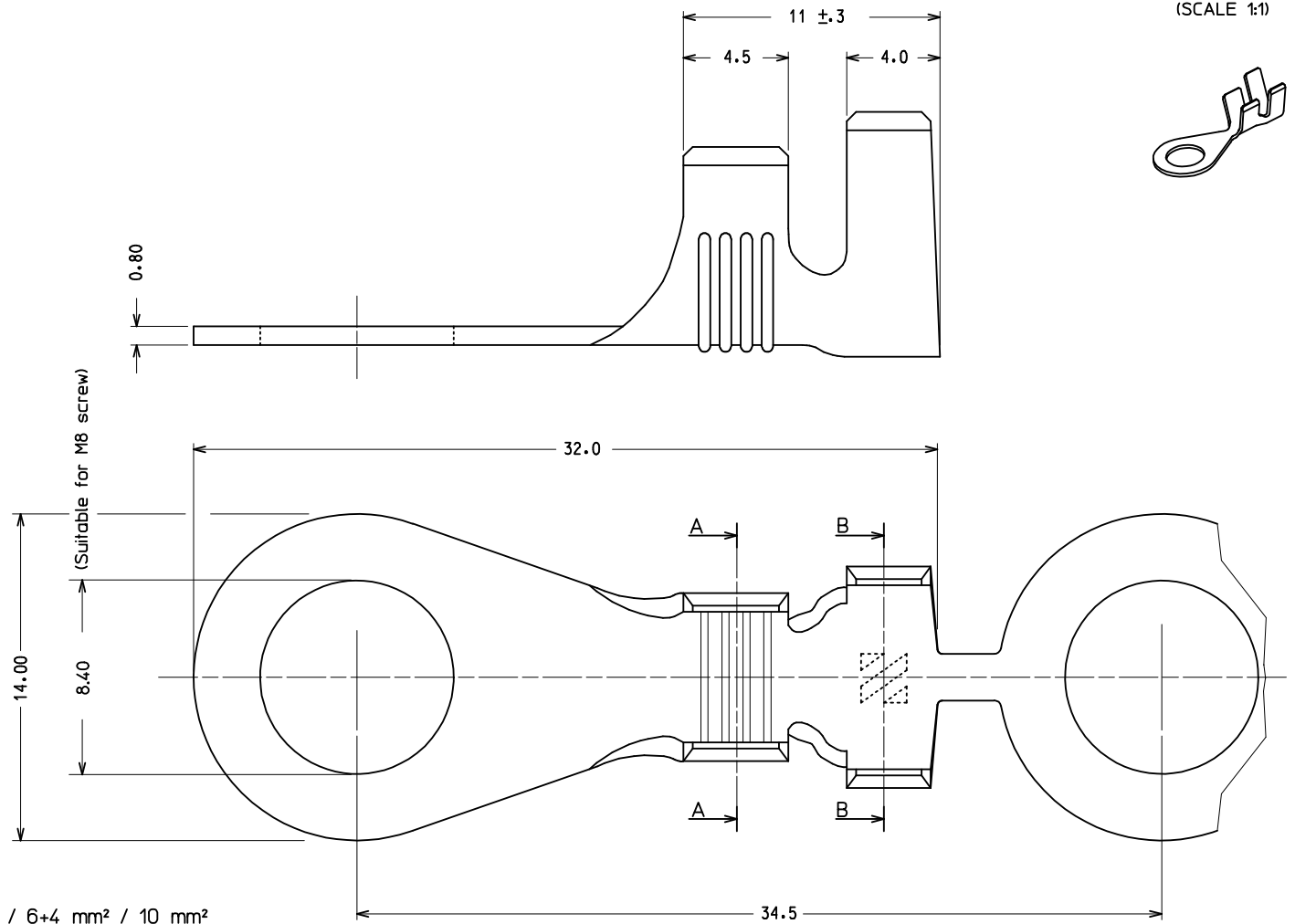
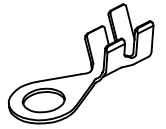
SECTION B-B



SECTION A-A



ISOMETRIC VIEW
(SCALE 1:1)



SEZIONE CAVO = 4+2.5 mm² / 4+4 mm² / 8 mm² / 6+4 mm² / 10 mm²
 WIRE SECTION = 4+2.5 mm² / 4+4 mm² / 8 mm² / 6+4 mm² / 10 mm²

φ ISOLANTE = 7.1 mm max.
 INSULATION φ = 7.1 mm max.

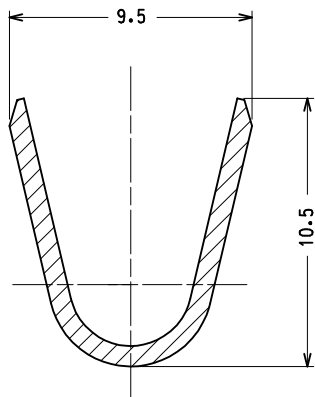
MATERIALE: OTTONE CuZn33
 MATERIAL: BRASS CuZn33

FINITURA: POST-STAGNATO
 PLATING: POST-TINNED

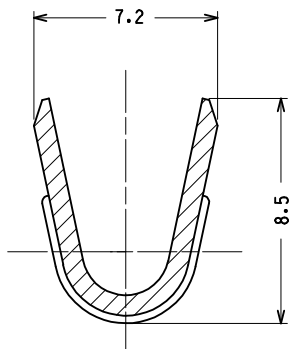
EC NO: Z2013-0152 DRWN:LSANTESS 2013/04/16 CHKD:LSANTESS 2013/04/16 APPR:FB/SELLO 2013/04/16 A5	DESCRIPTION REV	QUALITY SYMBOLS	GENERAL TOLERANCES (UNLESS SPECIFIED)	DIMENSION STYLE	SCALE	DESIGN UNITS	FIRST ANGLE PROJECTION
		▼ = 0 ∇ = 0	mm INCH 4 PLACES ± --- ± --- 3 PLACES ± --- ± --- 2 PLACES ± 0.1 ± --- 1 PLACE ± 0.2 ± --- ANGULAR ± 2 °	MM ONLY DRAWN BY DATE LSANTESS 2011/06/14 CHECKED BY DATE LSANTESS 2011/06/14 APPROVED BY DATE SBARBIER 2011/06/15	5:1	METRIC	TITLE TERMINALE AD OCCHIELLO RING TONGUE TERMINAL
		DRAFT WHERE APPLICABLE MUST REMAIN WITHIN DIMENSIONS	MATERIAL NO. 94030-7020	DOCUMENT NO. SD-94030-702	SHEET NO. 1 OF 1		
		THIS DRAWING CONTAINS INFORMATION THAT IS PROPRIETARY TO MOLEX INCORPORATED AND SHOULD NOT BE USED WITHOUT WRITTEN PERMISSION					

9 8 7 6 5 4 3 2 1

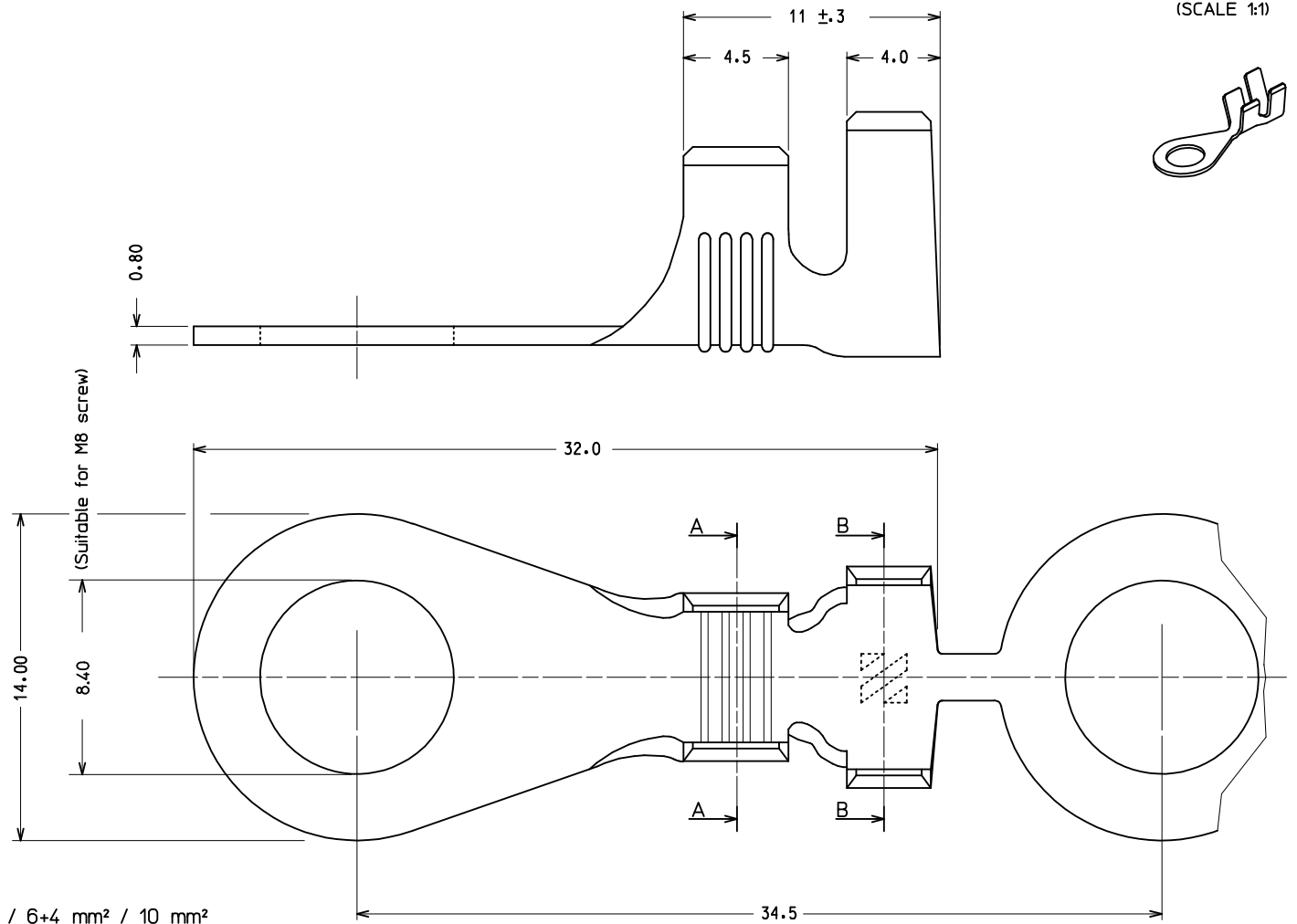
SECTION B-B



SECTION A-A



ISOMETRIC VIEW
(SCALE 1:1)



SEZIONE CAVO = 4+2.5 mm² / 4+4 mm² / 8 mm² / 6+4 mm² / 10 mm²
 WIRE SECTION = 4+2.5 mm² / 4+4 mm² / 8 mm² / 6+4 mm² / 10 mm²

φ ISOLANTE = 7.1 mm max.
 INSULATION φ = 7.1 mm max.

MATERIALE: OTTONE CuZn33
 MATERIAL: BRASS CuZn33

FINITURA: POST-STAGNATO
 PLATING: POST-TINNED

EC NO: Z2013-0152 DRWN:LSANTESS 2013/04/16 CHKD:LSANTESS 2013/04/16 APPR:FBISELLO 2013/04/16 REV	QUALITY SYMBOLS	GENERAL TOLERANCES (UNLESS SPECIFIED)	DIMENSION STYLE	SCALE	DESIGN UNITS	FIRST ANGLE PROJECTION
	▼ = 0 ∇ = 0	mm INCH 4 PLACES ± --- ± --- 3 PLACES ± --- ± --- 2 PLACES ± 0.1 ± --- 1 PLACE ± 0.2 ± --- ANGULAR ± 2 °	MM ONLY	5:1	METRIC	
		DRAFT WHERE APPLICABLE MUST REMAIN WITHIN DIMENSIONS	DRAWN BY DATE	TITLE	TERMINALE AD OCCHIELLO RING TONGUE TERMINAL	
	A5		CHECKED BY DATE	MOLEX INCORPORATED		DOCUMENT NO.
			APPROVED BY DATE	94030-7020		SD-94030-702
			MATERIAL NO.	THIS DRAWING CONTAINS INFORMATION THAT IS PROPRIETARY TO MOLEX INCORPORATED AND SHOULD NOT BE USED WITHOUT WRITTEN PERMISSION		1 OF 1