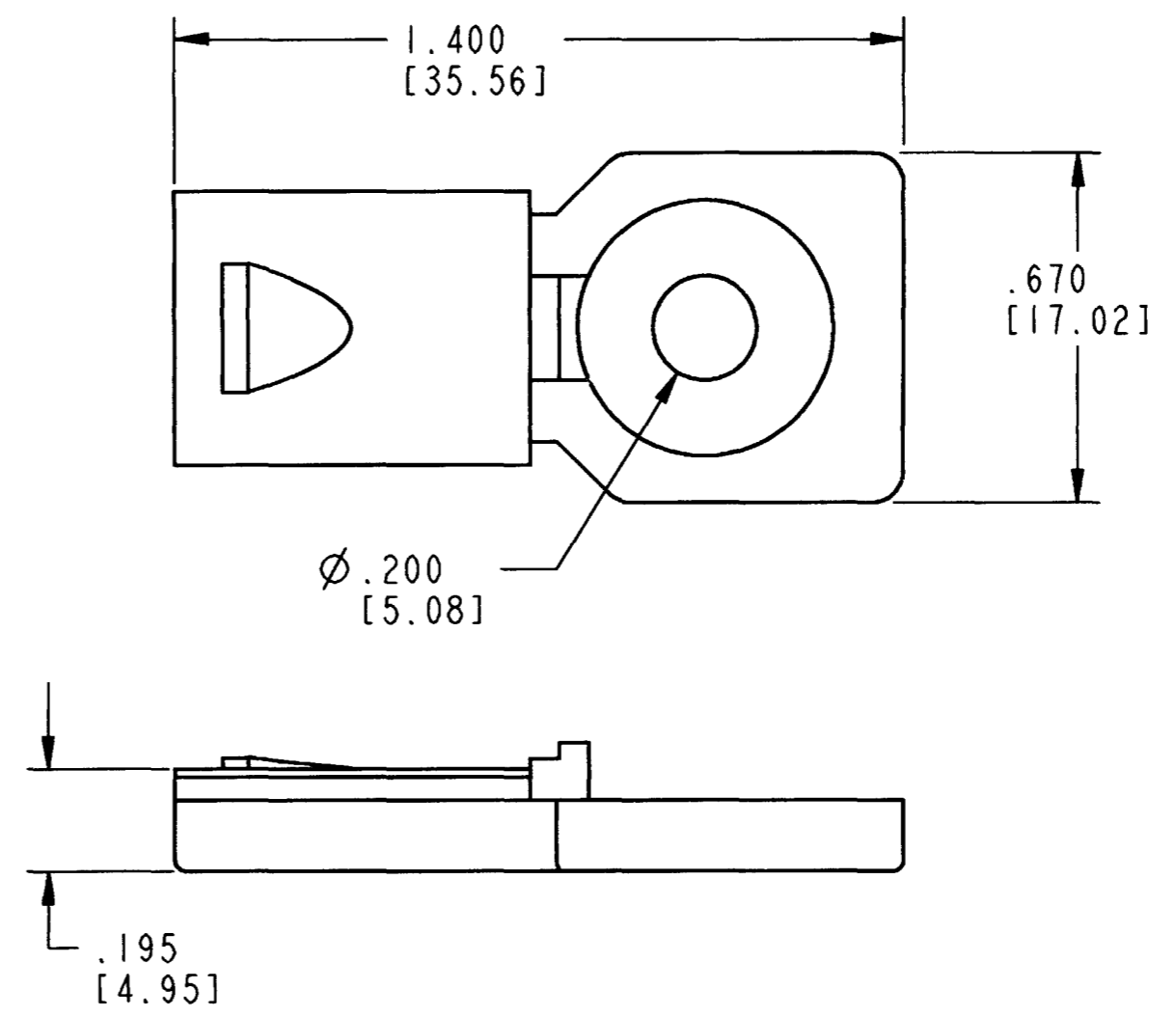
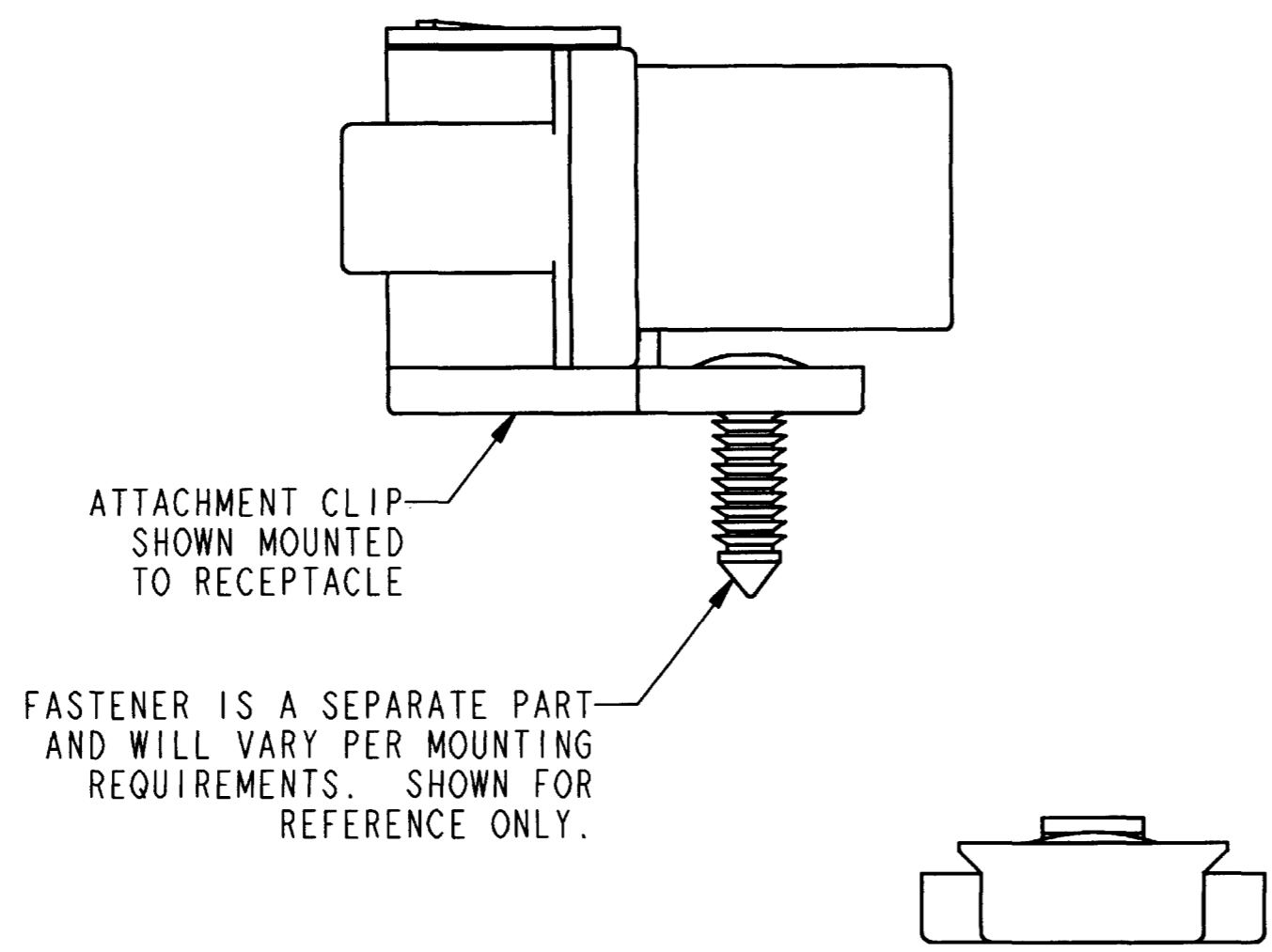


REV  
A 1011-027-0805

REVISIONS			
SYM	DESCRIPTION	DATE	APPROVED
NC	NEW RELEASE PER E.O. A13754	1/10/92	J.A.
A	REDRAWN/REVISED PER E.O. P17533	11-16-01	RDR



- NOTES:
3. MATERIAL: PLASTIC.
  2. ALL DIMENSIONS  $\pm .025$  [0.64] UNLESS OTHERWISE SPECIFIED.
  1. ALL DIMENSIONS ARE IN INCHES [MILLIMETERS].

SIGNATURE & DATE	
DR	T. YOHANNES 11/15/01
CHK	B. [Signature] 11/16/2001
PE	T. Yohannes 11/15/01
APPD	Spand 11-15-01
SCALE	NONE WT

ATTACHMENT CLIP  
FOR  
DT 8 WAY RECEPTACLE  
DT SERIES

ENVELOPE

CP	MATL. CODE
<b>The Deutch Company</b> DEUTSCH I.P.D. 3850 INDUSTRIAL AVE. HEMET, CALIF. 92545	
<b>B</b>	<b>1011-027-0805</b>
DWG SIZE	SHEET   OF