

Data sheet

Order No.: 1071202

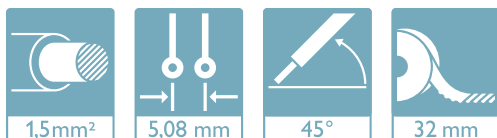
Type: SPTA-THR 1,5/ 3-5,08 R32

PCB terminal block, Reflow/wave soldering, Push-in spring connection



The figure shows the 10-position version

1 Main features



- | | | | |
|---------------------------|---------------------------|------------------------|-----------------|
| • No. of pos. | 3 | • Nominal current | 13.5 A |
| • Conductor cross section | 1.5 mm ² | • Nominal voltage | 320 V |
| • Color | black (9005) | • Connection direction | 45 ° |
| • Pitch | 5.08 mm | • Type of packaging | 32 mm wide tape |
| • Connection method | Push-in spring connection | | |

2 Your advantages

- ✓ Time saving push-in connection, tools not required
- ✓ Defined contact force ensures that contact remains stable over the long term
- ✓ Intuitive use through colour coded actuation lever
- ✓ Angled connection enables multi-row arrangement on the PCB
- ✓ Designed for integration into the SMT soldering process



Make sure you always use the latest documentation.

It can be downloaded at: phoenixcontact.net/product/1071202

1071202 SPTA-THR 1,5/ 3-5,08 R32**3 Table of contents**

1	Main features.....	1
2	Your advantages	1
3	Table of contents	2
4	3D model in PDF can be activated (Acrobat Reader only).....	3
5	General Technical Data	4
	5.1 Connection capacity	4
	5.2 Material data	4
6	Dimensions.....	5
	6.1 Dimensions for the product	5
7	Series drawing.....	6
8	Packaging information	7
9	Blister drawing.....	8
10	Application.....	9
	10.1 Processing notes	9
	10.2 Temperature limit values	9
11	General tests	10
	11.1 Specification.....	10
12	Mechanical tests.....	11
	12.1 Pull-out test	11
	12.2 Check for damage to conductor or loosening	11
13	Electrical tests	12
	13.1 Electrical data	12
	13.2 Air and creepage distances	12
	13.3 Short-time withstand current test	12
	13.4 Aging test (climatic impact and corrosion testing).....	12
	13.5 Mechanical connection test for the PCB terminal block	12
	13.6 Temperature rise test.....	13
14	Current carrying capacity/derating curves	14
15	Environmental and durability tests	15
	15.1 Vibration test	15
	15.2 Assessment of fire risk (glow wire test).....	15
	15.3 Shock protection	15
16	Approvals	15
17	Commercial Data.....	16
18	Accessories.....	16

1071202 SPTA-THR 1,5/ 3-5,08 R32

4 3D model in PDF can be activated (Acrobat Reader only)



1071202 SPTA-THR 1,5/ 3-5,08 R32**5 General Technical Data**

Order No.	1071202
Type	SPTA-THR 1,5/ 3-5,08 R32
Product type	PCB terminal block
Range of articles	SPTA 1,5/..-THR
Pitch	5.08 mm
Range of positions	2...12
Number of positions	3
Number of levels	1
Connection method	Push-in spring connection
Mounting type	THR soldering
Connection direction of the conductor to the PCB	45 °
Solder pins per potential	1

5.1 Connection capacity

Conductor cross section, solid	0.2 mm ² ... 1.5 mm ² (Conductor connection with open terminal point)
Conductor cross section, flexible	without
Conductor cross section flexible, with ferrule without plastic sleeve	0.25 mm ² ... 1.5 mm ²
Conductor cross section flexible, with ferrule with plastic sleeve	0.25 mm ² ... 1.5 mm ²
2 conductors with same cross section, stranded, with TWIN ferrules with plastic sleeve	0.5 mm ² ... 0.75 mm ²
Stripping length	10 mm

5.2 Material data

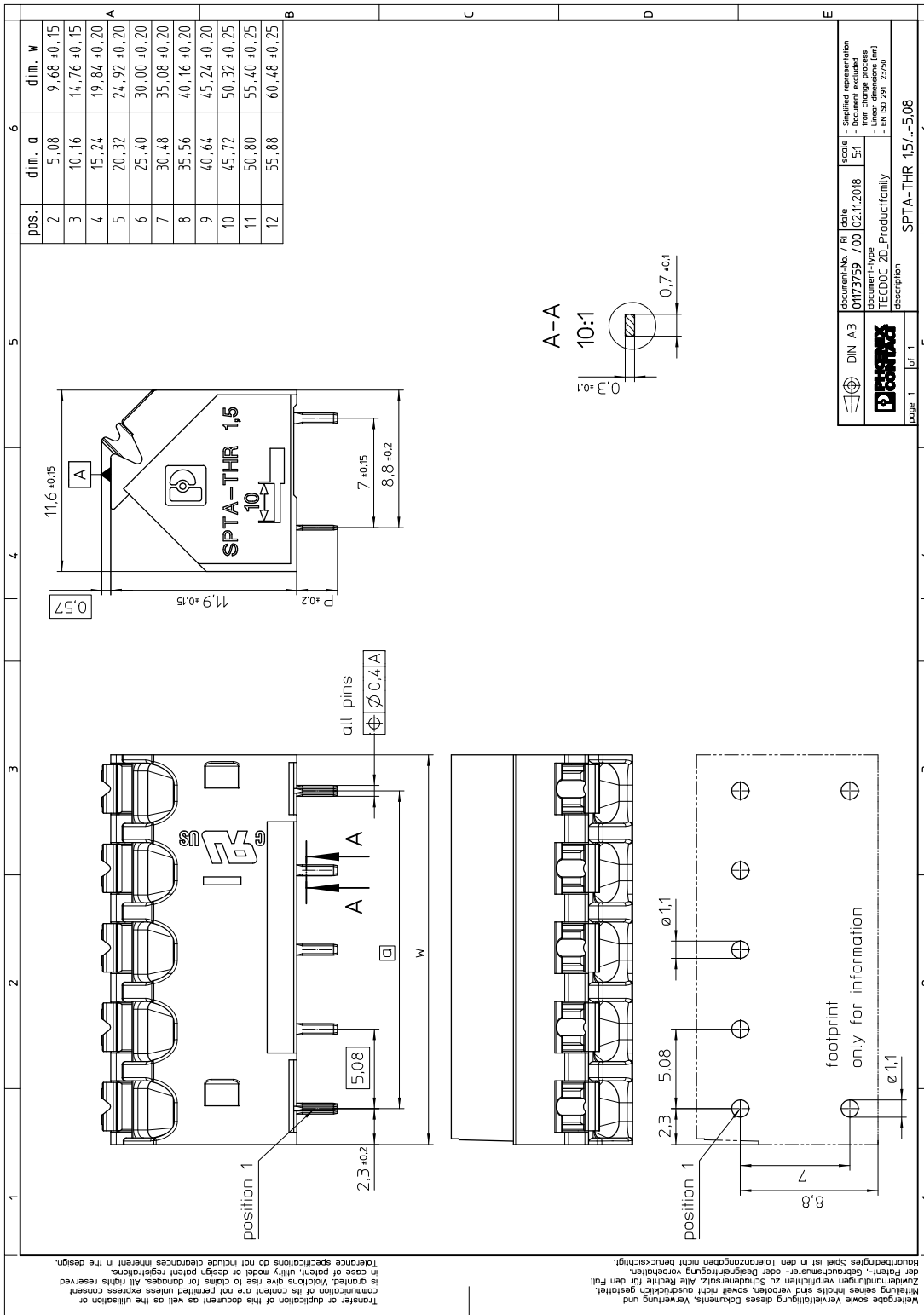
Material of metal parts		
Note	WEEE/RoHS-compliant, whisker-free acc. to IEC 60068-2-82/JEDEC JESD 201	
Contact material	Cu alloy	
Terminal point surface	Tin (2 - 4 µm Sn)	
Soldering area surface	Tin (2 - 4 µm Sn)	
Surface characteristics	hot-dip tin-plated	
Insulating material data	Housing	Actuation element
Insulating material	LCP GF	PA GF
Insulating material group	III	I
CTI according to IEC 60112	175	600
Flammability rating according to UL 94	V0	V0
Color	black (9005)	
Glow wire flammability index GWFI according to EN 60695-2-12	850	
Glow wire ignition temperature GWIT according to EN 60695-2-13	775	
Temperature for the ball pressure test according to EN 60695-10-2	125 °C	

1071202 SPTA-THR 1,5/ 3-5,08 R32**6 Dimensions****6.1 Dimensions for the product**

Length	11.6 mm
Width	14.76 mm
Height (without solder pin)	12.47 mm
Total height	15.07 mm
Solder pin [P]	2.6 mm
Dimension a	10.16 mm

1071202 SPTA-THR 1,5/ 3-5,08 R32

7 Series drawing



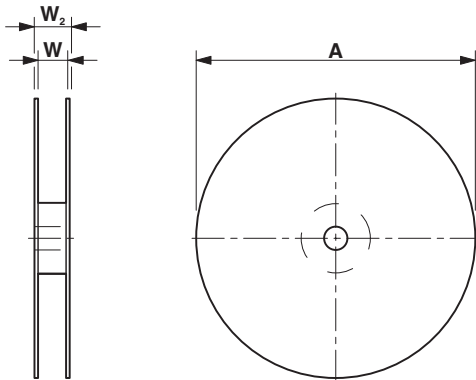
Wiedergabe sowie Vervielfältigung dieses Dokuments, Verwertung und
 Mitteilung seines Inhalts sind verboten, soweit nicht ausdrücklich gestattet.
 Zuwiderhandlungen verpflichten zu Schadenersatz. Alle Rechte für den Fall
 der Patent-, Gebrauchsmuster- oder Designanmeldung vorbehalten.
 Baurückgriffes Spiel ist in den Toleranztoleranzen nicht berücksichtigt.

Transfer or duplication of this document as well as the utilisation or
 communication of its content are not permitted unless express consent
 is granted. Violations give rise to claims for damages. All rights reserved
 in case of patent, utility model or design patent registrations.
 Tolerance specifications do not include clearances inherent in the design.

document-no. / R / Ri	date	scale	Supplied representation
01173759 / 00	02.11.2018	5:1	linear dimension
document-type			Linear dimensions (mm)
TECDOC 2D_Productfamily			EN ISO 291 2950
description	SPTA-THR 1,5/,-5,08		
page 1	of 1		

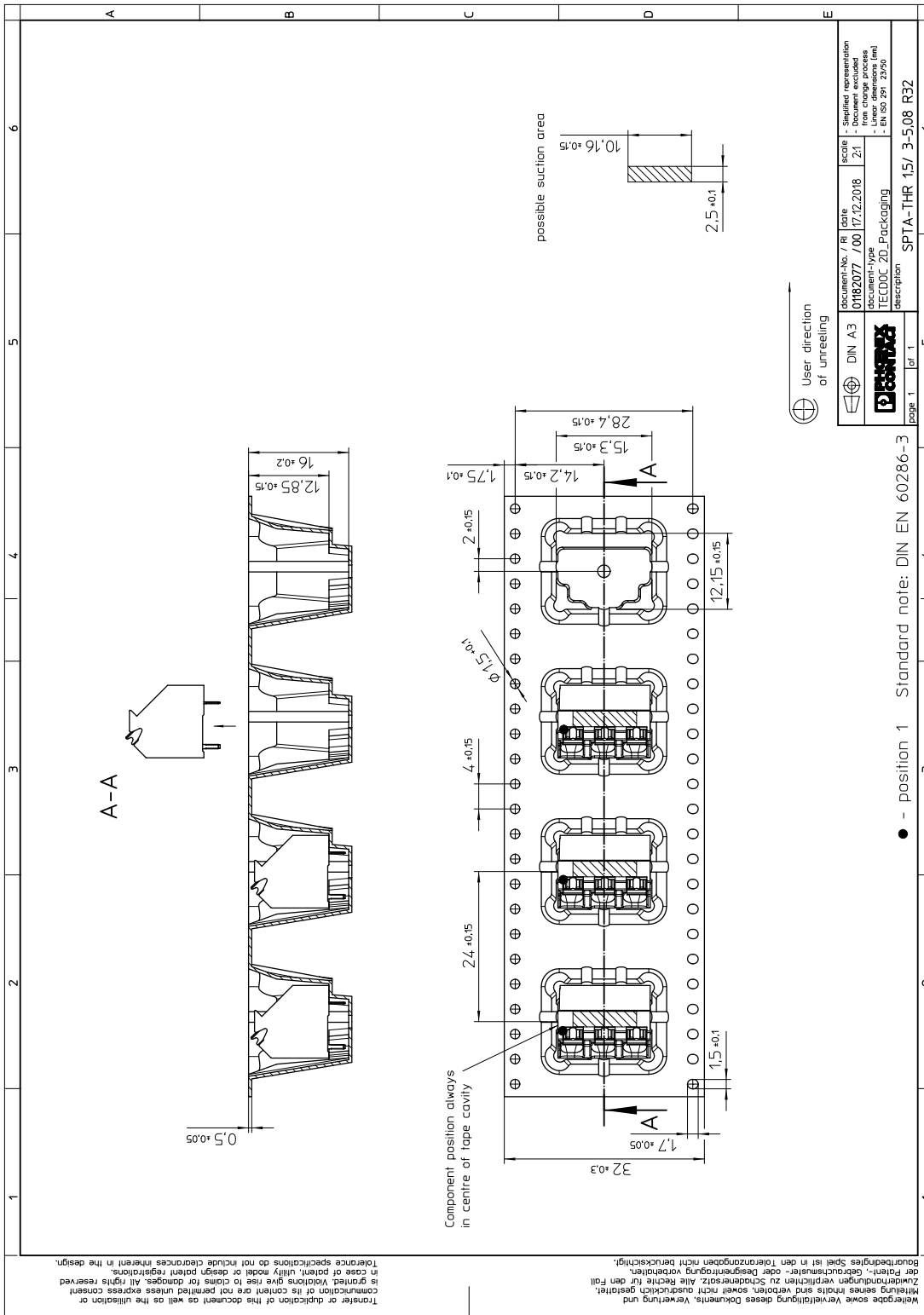
1071202 SPTA-THR 1,5/ 3-5,08 R32**8 Packaging information**

Type of packaging	32 mm wide tape
Pieces per package	145
Outer packaging type	Transparent-Bag
ESD level	(D) electrostatically conductive
Specification	DIN EN 61340-5-1 (VDE 0300-5-1): 2008-07
[W] tape width	32 mm
[A] coil diameter	330 mm
[W2] coil overall dimension	38.4 mm
Number of products per coil	145



1071202 SPTA-THR 1,5/ 3-5,08 R32

9 Blister drawing



1071202 SPTA-THR 1,5/ 3-5,08 R32**10 Application****10.1 Processing notes**

Process	Reflow/wave soldering
Specification	Following IPC/JEDEC J-STD-020E:2014-12
Specification	Following IEC 61760-1:2006-04
Specification	Following IEC 60068-2-58:2015-03
Moisture Sensitive Level	MSL 1
Classification temperature T_c	max. 260 °C
Solder cycles in the reflow	3
swash circumference	see dimensional drawing

10.2 Temperature limit values

Ambient temperature (storage/transport)	-40 °C ... 70 °C
Ambient temperature (assembly)	-5 °C ... 100 °C
Ambient temperature (operation)	-40 °C (dependent on the derating curve)

1071202 SPTA-THR 1,5/ 3-5,08 R32

11 General tests

11.1 Specification

Specification	IEC 60947-7-4
Specification	IEC 60999-1

1071202 SPTA-THR 1,5/ 3-5,08 R32**12 Mechanical tests****12.1 Pull-out test**

Specification	IEC 60999-1:1999-11
Result	Test passed
Conductor cross section/conductor type/tractive force actual value	0.2 mm ² / solid / > 10 N
Conductor cross section/conductor type/tractive force actual value	1.5 mm ² / solid / > 40 N

12.2 Check for damage to conductor or loosening

Specification	IEC 60999-1:1999-11
Result	Test passed

1071202 SPTA-THR 1,5/ 3-5,08 R32**13 Electrical tests****13.1 Electrical data**

Rated current / conductor cross section	13.5 A 1.5 mm ²
Rated insulation voltage (III/2)	320 V
Rated surge voltage (III/2)	4 kV
Contact resistance	1.2 mΩ
Degree of pollution	2

13.2 Air and creepage distances

Component	PCB terminal block		
Specification	IEC 60947-7-4:2013-08		
Mains type	unearthed mains		
Insulating material group	III		
Comparative tracking index (IEC 60112:2003-01)	CTI 175		
Rated insulation voltage	250 V	320 V	400 V
Rated surge voltage	4 kV	4 kV	4 kV
Degree of pollution	3	2	2
Overvoltage category	III	III	II
Minimum clearance case A (inhomogeneous field)	3 mm	3 mm	3 mm
Minimum value of the creepage path requirement in acc. with table	4 mm	3.2 mm	4 mm

13.3 Short-time withstand current test

Specification	IEC 60947-7-4:2013-08
Result	Test passed
Conductor cross section/short-time current	1.5 mm ² / 25.2 A

13.4 Aging test (climatic impact and corrosion testing)

Specification	IEC 60947-7-4:2013-08
Result	Test passed
Contact resistance R ₁	1.2 mΩ / 1.5 mm ²
Test sequence 1: low temperature storage	-40 °C / 2 h
Test sequence 2: heat storage	168 h/105 °C
Test sequence 3: noxious gas storage (ISO 6988)	KFW 0.2 S/1 cycle
Contact resistance R ₂	1 mΩ / 1.5 mm ²
Rated impulse voltage at sea level Voltage waveform ≥ (1.2/50 μs)	4.8 kV
Power-frequency withstand voltage Voltage waveform ≥ (50/60 Hz)	2.2 kV

13.5 Mechanical connection test for the PCB terminal block

Specification	IEC 60947-7-4:2013-08
Result	Test passed

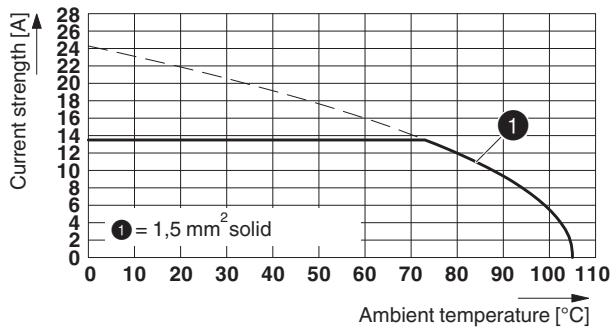
1071202 SPTA-THR 1,5/ 3-5,08 R32**13.6 Temperature rise test**

Specification	IEC 60947-7-4:2013-08
Result	Test passed
Requirement temperature-rise test	The sum of ambient temperature and temperature rise of the PCB terminal block shall not exceed the upper limiting temperature.
Conductor cross section/test current/temperature rise	1.5 mm ² / 13.5 A / 32 K

1071202 SPTA-THR 1,5/ 3-5,08 R32

14 Current carrying capacity/derating curves

Type: SPTA-THR 1,5/...-5,08 R...



1071202 SPTA-THR 1,5/ 3-5,08 R32**15 Environmental and durability tests****15.1 Vibration test**

Specification	IEC 60068-2-6:2007-12
Result	Test passed
Frequency	10 - 150 - 10 Hz
Sweep speed	1 octave/min
Amplitude	0.35 mm (10 - 60.1 Hz)
Acceleration	5 g (60.1 - 150 Hz)
Test duration per axis	2.5 h
Test directions	X-, Y- and Z-axis
Note	The connected conductor loops were guided to the test sample at a distance of approx. 10 cm.


15.2 Assessment of fire risk (glow wire test)

Specification	IEC 60695-2-10:2013-04		
Result	Test passed		
Temperature	850 °C		
Time of exposure	5 s		

15.3 Shock protection

Specification	IEC 60529:1989-11 + AMD 1:1999-11 + AMD 2:2013-08
Back of the hand protection (Ball ø 50)	guaranteed
Finger protection (movable test finger)	conditional guaranteed (installation dependent)
Note	When using a PCB that extends beyond the footprint of the PCB connection terminal block by 4 mm on all sides.

16 Approvals

cULus Recognized 			
Use group	B	D	
mm ² /AWG/kcmil	24-16	24-16	
Voltage	300 V	300 V	
Current	10 A	10 A	

1071202 SPTA-THR 1,5/ 3-5,08 R32**17 Commercial Data**

Order No.	1071202
Type	SPTA-THR 1,5/ 3-5,08 R32
Pieces per package	145
Net weight	1.7 g
GTIN	4055626771144
	Information that applies locally, see link on page 1
Country of origin	Information that applies locally, see link on page 1

18 Accessories

Description	Order No.	Type
Screwdriver, slot-headed, VDE insulated, size: 0.4 x 2.5 x 80 mm, 2-component grip, with non-slip grip	1205037	SZS 0,4X2,5 VDE
Crimping pliers, for ferrules without insulating collar according to DIN 46228 Part 1 and ferrules with insulating collar according to DIN 46228 Part 4, 0.25 mm ² ... 6.0 mm ² , lateral entry, trapezoidal crimp	1212034	CRIMPFOX 6
Test plug, consisting of 1.0 mm Ø test pin and 2.0 mm Ø socket	1944372	MPS-MT 1-S