

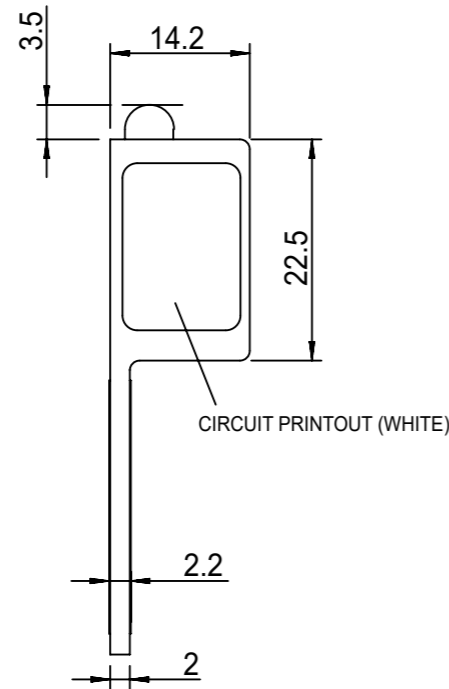
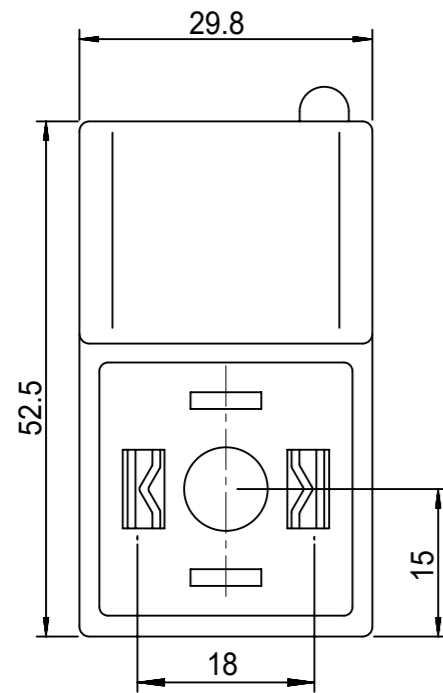
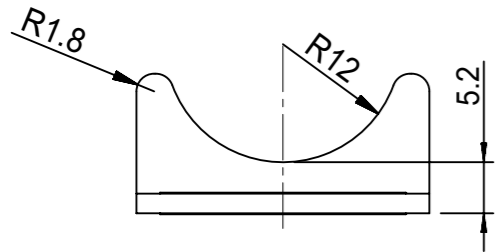
A 0 7 X X X

INTERNAL CIRCUIT  
WIRING CONFIGURATION

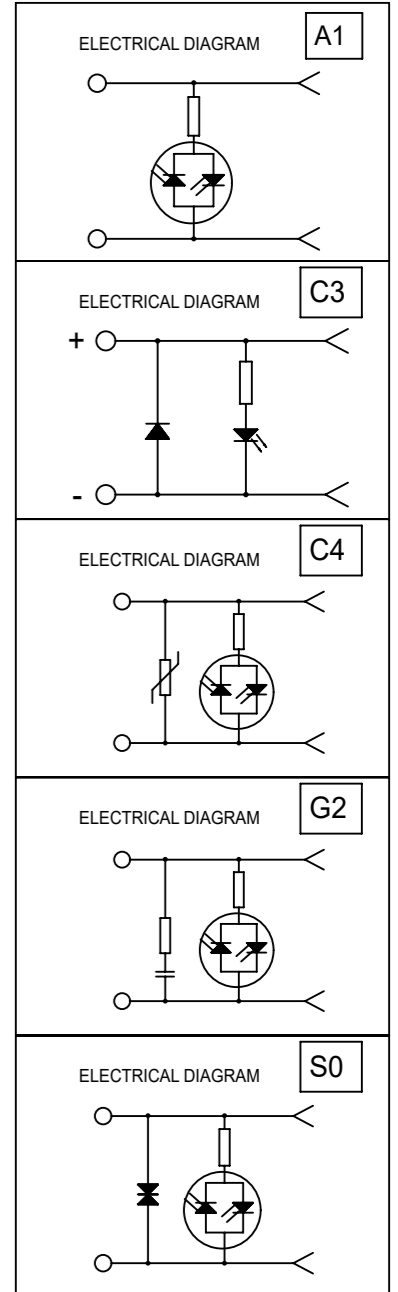
VOLTAGE AND LED COLOUR:

1= 12V	A= 12V	G= 12V
2= 24V	B= 24V	H= 24V
3= 48V	C= 48V	K= 48V
4= 115V	D= 115V	L= 115V
5= 230V	E= 230V	M= 230V

RED LED      GREEN LED      YELLOW LED



WIRING CONFIGURATION



MOLEX PN	MPM PN
1210010257	A07C42
1210010262	A07C4H

THIS DRAWING CONTAINS INFORMATION THAT IS PROPRIETARY TO MOLEX ELECTRONIC TECHNOLOGIES, LLC AND SHOULD NOT BE USED WITHOUT WRITTEN PERMISSION

DIMENSION UNITS	SCALE	CURRENT REV DESC: REMOVED OBSOLETE PART NUMBERS AS PER PCN#511691		<b>molex</b>	
MM	NTS				
GENERAL TOLERANCES (UNLESS SPECIFIED)				MPM A07 ADAPTORS	
	MM	INCH			PRODUCT CUSTOMER DRAWING
4 PLACES	±	±			
3 PLACES	±	±			DOCUMENT NUMBER
2 PLACES	±	±			
1 PLACE	±	±			DOC TYPE
0 PLACES	±	±			
ANGULAR TOL	±	°			DOC PART
DRAFT WHERE APPLICABLE MUST REMAIN WITHIN DIMENSIONS		THIRD ANGLE PROJECTION		REVISION	
		DRAWING		SERIES	
		A3-SIZE		121001	
		MATERIAL NUMBER		CUSTOMER	
		SEE TABLE		GENERAL MARKET	
				SHEET NUMBER	
				1 OF 1	

EC NO: 737858  
 DRWN: SANTHN 2023/02/08  
 CHK'D: GGA 2023/02/24  
 APPR: GGA 2023/02/24  
 INITIAL REVISION:  
 DRWN: MLEVYTSKYY 2009/05/05  
 APPR: MWOLSZCZAK 2009/05/05

# A07 - ADAPTOR FOR DIN A

**A 0 7 X X X**

INTERNAL CIRCUIT

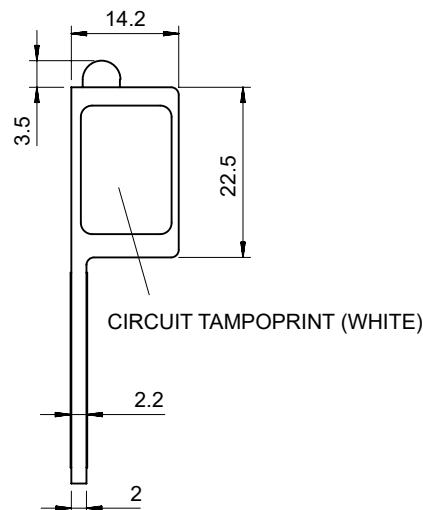
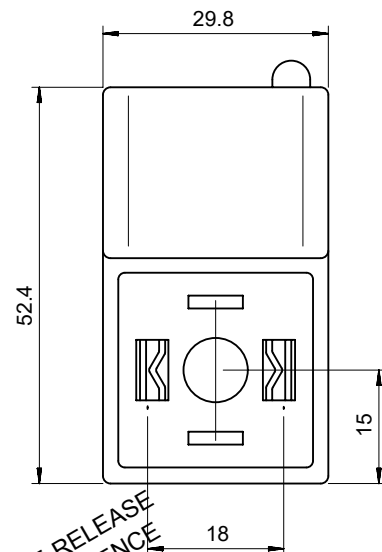
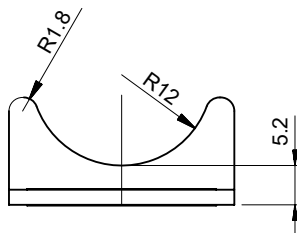
VOLTAGE AND LED COLOUR:

1= 12V	A= 12V	G= 12V
2= 24V	B= 24V	H= 24V
3= 48V	C= 48V	K= 48V
4= 115V	D= 115V	L= 115V
5= 230V	E= 230V	M= 230V

RED LED      GREEN LED      YELLOW LED

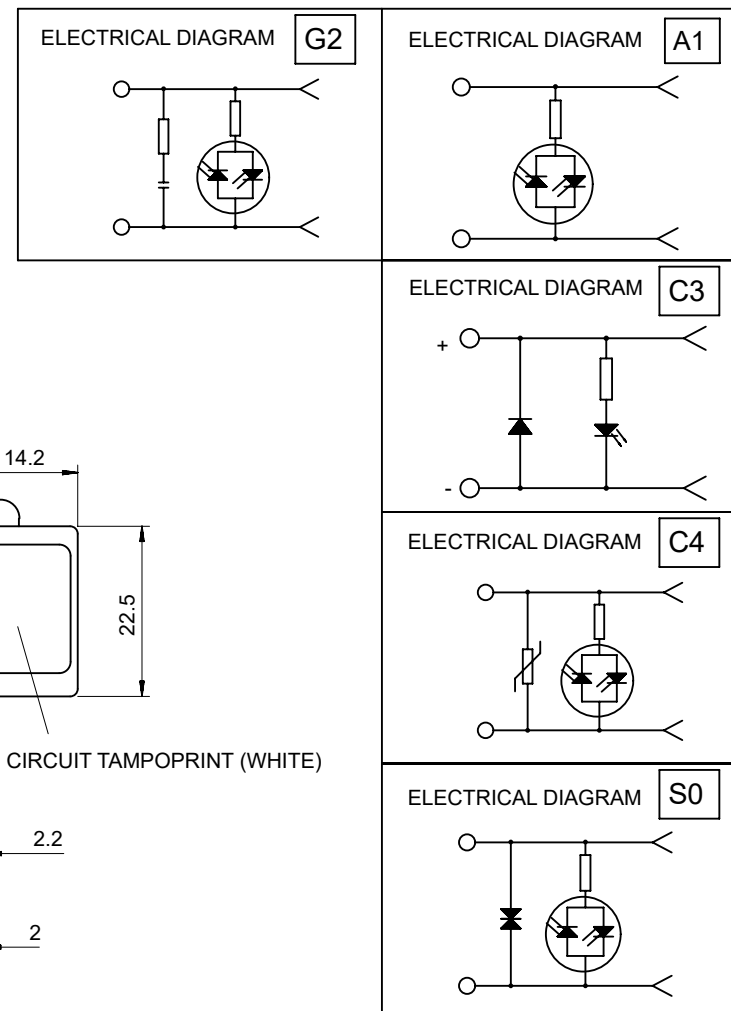
## Chart 1

Engineering no.	SAP Part Number	Circuit type	LED Color
A07C42	1210010257	C4 24V	Red
A07C4H	1210010262	C4 24V	Yellow
A07C4L	1210010263	C4 115V	Yellow
A07C4M	1210010264	C4 230V	Yellow



PRE-RELEASE  
REFERENCE  
USE ONLY

## Wiring configuration



THIS DRAWING CONTAINS INFORMATION THAT IS PROPRIETARY TO MOLEX ELECTRONIC TECHNOLOGIES, LLC AND SHOULD NOT BE USED WITHOUT WRITTEN PERMISSION

DIMENSION UNITS		SCALE		CURRENT REV DESC: REMOVED OBSOLETE PART NUMBER AS PER PCN#511691.						
mm		NTS								
GENERAL TOLERANCES (UNLESS SPECIFIED)							EC NO: 737858 DRWN: SANTHN 2023/02/10 CHK'D: GGA 2023/02/24 APPR: GGA 2023/02/24 INITIAL REVISION: DRWN: JMARSZALEK 2013/02/11 APPR: MIWASIECZKO 2013/02/12			
		MM	INCH							
4 PLACES	±									
3 PLACES	±									
2 PLACES	±									
1 PLACE	±									
0 PLACES	±									
ANGULAR TOL				±	°		PRODUCT CUSTOMER DRAWING DOCUMENT NUMBER: SD-121001-007 DOC TYPE: PSD DOC PART: 001 REVISION: A1			
DRAFT WHERE APPLICABLE MUST REMAIN WITHIN DIMENSIONS				THIRD ANGLE PROJECTION		DRAWING	SERIES	MATERIAL NUMBER	CUSTOMER	SHEET NUMBER
						A4-SIZE	121001	SEE CHART 1	GENERAL MARKET	1 OF 1

DOCUMENT STATUS	P1	RELEASE DATE	2023/02/24	09:13:08
-----------------	----	--------------	------------	----------