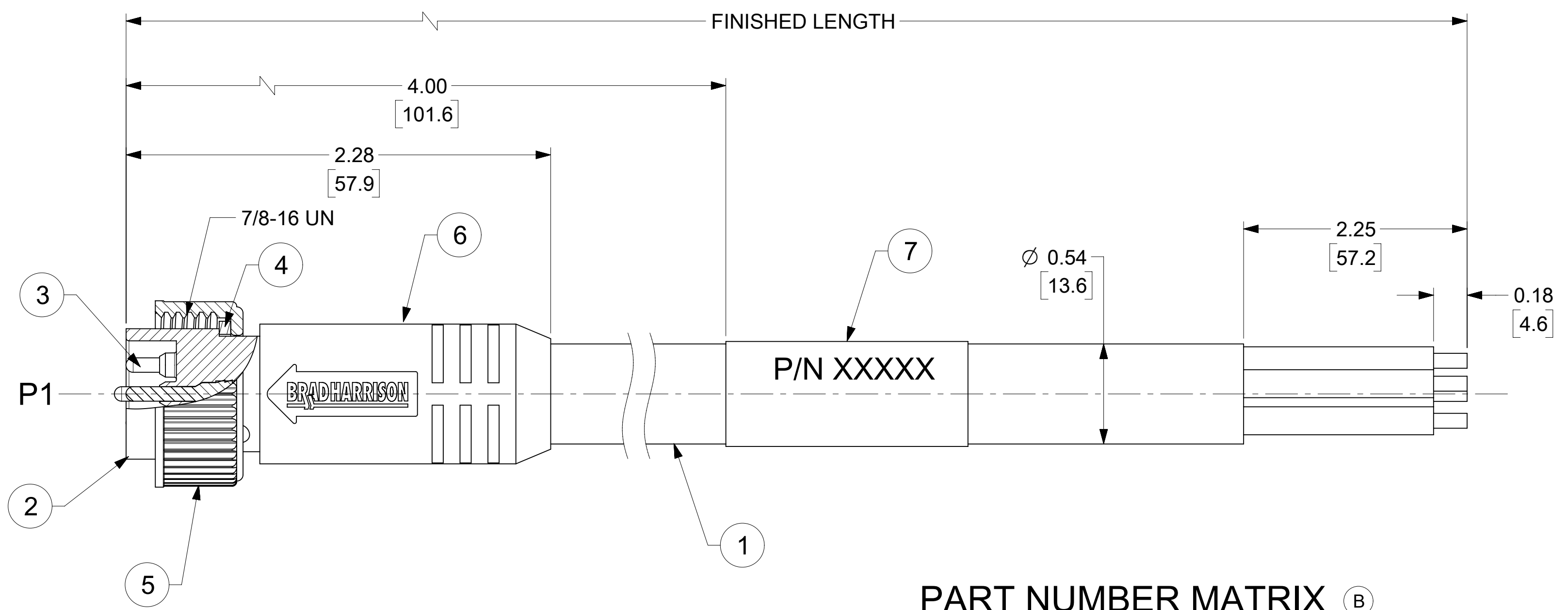
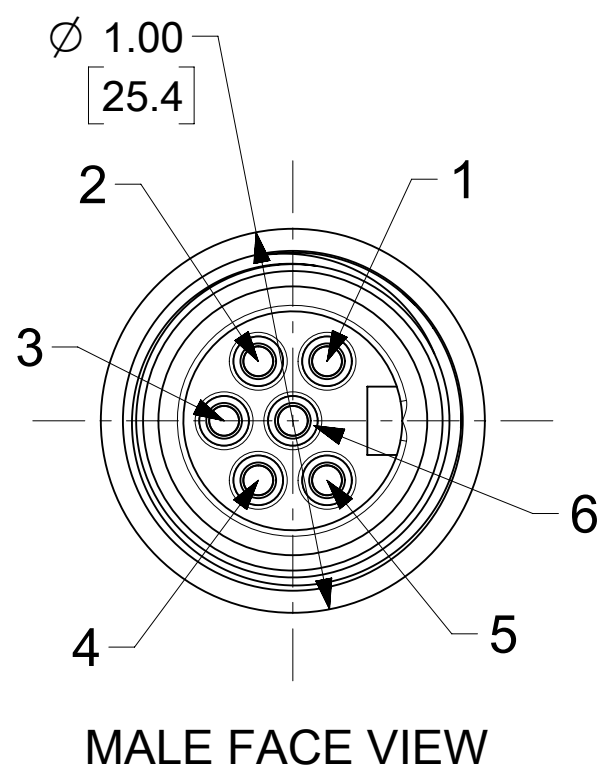
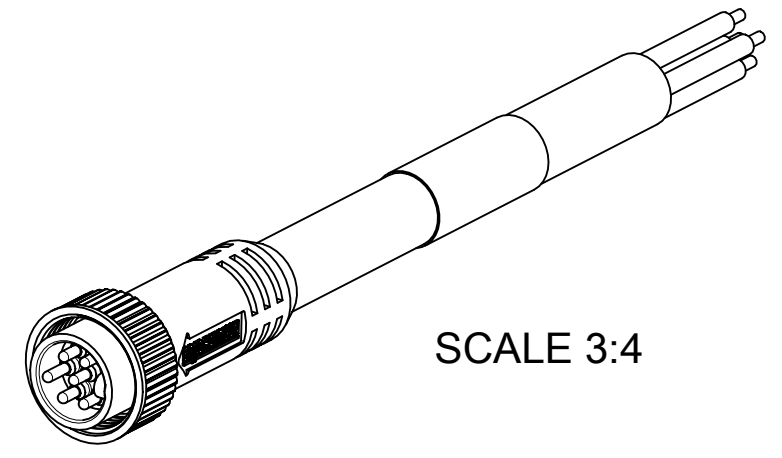


| MATERIAL NO. | ENGINEERING NO. | FINISHED LENGTH |
|--------------|-----------------|-----------------|
| 1300061672   | 106002A01F030   | 3 FT. (0.9 M)   |
| 1300061675   | 106002A01F060   | 6 FT. (1.82 M)  |
| 1300061679   | 106002A01F120   | 12 FT. (3.65 M) |
| 1300061686   | 106002A01F200   | 20 FT. (6.09 M) |

**CABLE LENGTH TOLERANCES**  
 <.3M [1FT]: +19mm-0 [ +.75in-0]  
 .3 - .9M [1 - 3FT]: +44.5mm-0 [+1.75in-0]  
 .9 - 1.8M [3 - 6FT]: +55.6mm-0 [+2.19in-0]  
 1.8 - 3.7M [6 - 12FT]: +88.9mm-0 [+3.50in-0]  
 3.7 - 7.3M [12 - 24FT]: +165.1mm-0 [+6.50in-0]  
 7.3-14.6M [24 - 48FT]: +317.5mm-0 [+12.50in-0]  
 14.6 - 30.5M [48-100FT]: +622.3mm-0 [+24.50in-0]  
 OVER 30M [100FT] +2% OF FINISHED LENGTH



- NOTES:
- MATERIAL: AS NOTED
  - FINISH: AS NOTED
  - ELECTRICAL:  
 VOLTAGE: 400V PER IEC60664 (B)  
 600V PER UL2238  
 CURRENT: 8A
  - TEMP RATING: -20°C TO +105°C (B)
  - PROTECTION: IP67 (WHEN MATED) (B)
  - CSA CERTIFIED FILE: LR6837 (B)
  - UL RECOGNIZED FILE: E152210 (B)
  - ASSEMBLY IS ROHS COMPLIANT
  - ALL DIMS ARE FOR REFERENCE UNLESS TOLERANCED OR NOTED OTHERWISE

**WIRING DIAGRAM**

| P1 | Color        |
|----|--------------|
| 1  | WHITE        |
| 2  | RED          |
| 3  | GREEN/YELLOW |
| 4  | ORANGE       |
| 5  | BLACK        |
| 6  | BLUE         |

**PART NUMBER MATRIX (B)**  
 106002A01F060

FINISHED LENGTH  
 F001= .1 FT  
 F020= 2 FT  
 F200= 20 FT

| ITEM | DESCRIPTION           | MATERIAL      | FINISH           |
|------|-----------------------|---------------|------------------|
| 7    | WRAP LABEL            | VINYL         | BLACK/YELLOW     |
| 6    | OVERMOLD              | TPE           | YELLOW           |
| 5    | COUPLING NUT          | ZINC DIE CAST | BLACK E-COAT     |
| 4    | FRICTION RING         | NYLON         | NATURAL          |
| 3    | PIN CONTACT           | Cu ALLOY      | GOLD OVER NICKEL |
| 2    | MALE INSERT           | TPE           | YELLOW           |
| 1    | CABLE, STOOV/ST #16-6 | PVC JACKET    | YELLOW           |

THIS DRAWING CONTAINS INFORMATION THAT IS PROPRIETARY TO MOLEX ELECTRONIC TECHNOLOGIES, LLC AND SHOULD NOT BE USED WITHOUT WRITTEN PERMISSION

|  |         |   |  |
|--|---------|---|--|
| DIMENSION UNITS                                      | SCALE   | CURRENT REV DESC: UPDATED ITEM #1, 2, 6, 7 & TEMP RATING. ADDED CSA, UL, IP RATING, IEC VOLT, TOL. CHART & PART NO. MATRIX. MODIFIED PN CHART | <b>molex</b>   |
| INCH/MM  | 2:1     | EC NO: 673727   |  |
| GENERAL TOLERANCES (UNLESS SPECIFIED)                |         | DRWN: VHANDI 2021/05/27   | MINI-CHANGE CORDSET, A SIZE, 6 POLE MALE, STRAIGHT, SINGLE KEY, 16 AWG |
| 4 PLACES   | ±       | CHK'D: RSTONE 2021/08/25  |  |
| 3 PLACES   | ±       | APPR: BWOODMAN 2021/08/27   | PRODUCT CUSTOMER DRAWING   |
| 2 PLACES   | ±       | INITIAL REVISION:   |  |
| 1 PLACE  | ±       | DRWN: LHARTMANN 2009/06/11  | DOCUMENT NUMBER  |
| 0 PLACES   | ±       | APPR: JFMURPHY 2009/08/17   |  |
| ANGULAR TOL  | ± 0.5 ° | THIRD ANGLE PROJECTION  | SD-130006-006  |
| DRAFT WHERE APPLICABLE MUST REMAIN WITHIN DIMENSIONS |         | DRAWING C-SIZE  | PSD 001 B  |
|  |         | SERIES 130006   | DOC TYPE DOC PART REVISION   |
|  |         |   | SEE TABLE GENERAL MARKET 1 OF 1  |