



Comair Rotron Specification Sheet

Specification Date: Feb 01, 2018

Version: 01

COMAIR ROTRON PART NUMBER: 17000658A
COMAIR ROTRON MODEL NUMBER: CREC2258-3600E2B

A.) MOTOR:

| | |
|-------------------------------|--|
| RATED VOLTAGE: | 230VAC \pm 10% |
| OPERATING VOLTAGE RANGE: | 207~253VAC |
| LOW-START VOLTAGE: | 172VAC |
| RATED CURRENT: | 0.58 Amps |
| OPERATING FREQUENCY: | 50~60Hz |
| INPUT POWER: | 90 Watts |
| RATED SPEED: | 3600 RPM \pm 5% (At Free Delivery) |
| MOTOR TYPE: | Brushless EC |
| MOTOR PROTECTION: | By Integrated Circuit |
| LOCKED ROTORT PROTECTION: | IC protected |
| POLARITY PROTECTION: | Yes |
| AUTOMATIC RESTART CAPABILITY: | By Integrated Circuit |
| ROTATION: | Counter Clockwise when viewed from the impeller |

B.) MECHANICAL

| | |
|---------------|--|
| DIMENSIONS: | 225mm x225mm x 80mm |
| WEIGHT: | 1800g |
| BEARING TYPE: | Ball Bearings |
| VENTURI: | Die Cast magnesium alloy, ED coating and powder coating |
| PROPELLER: | Die Cast magnesium alloy, ED coating and powder coating |



Comair Rotron Specification Sheet

Specification Date: Feb 01, 2018

Version: 01

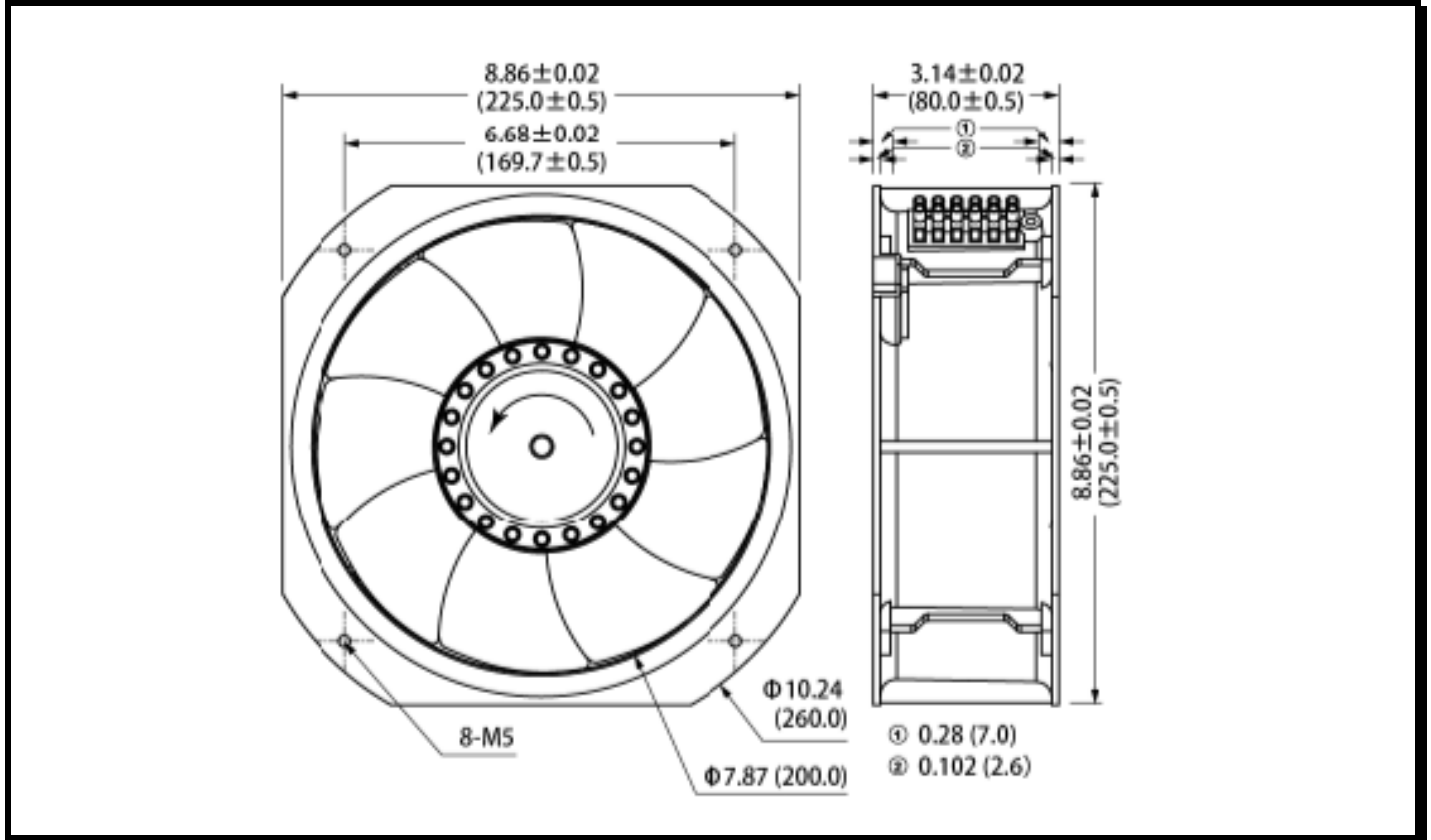


Figure 1

C.) ENVIRONMENTAL

OPERATING TEMPERATURE:

-20°C to +70°C

STORAGE TEMPERATURE:

The storage temperature will be suggested at -20°C ~ 50°C to ensure a better performance.

HUMIDITY:

20 to 85% RH, non-condensing



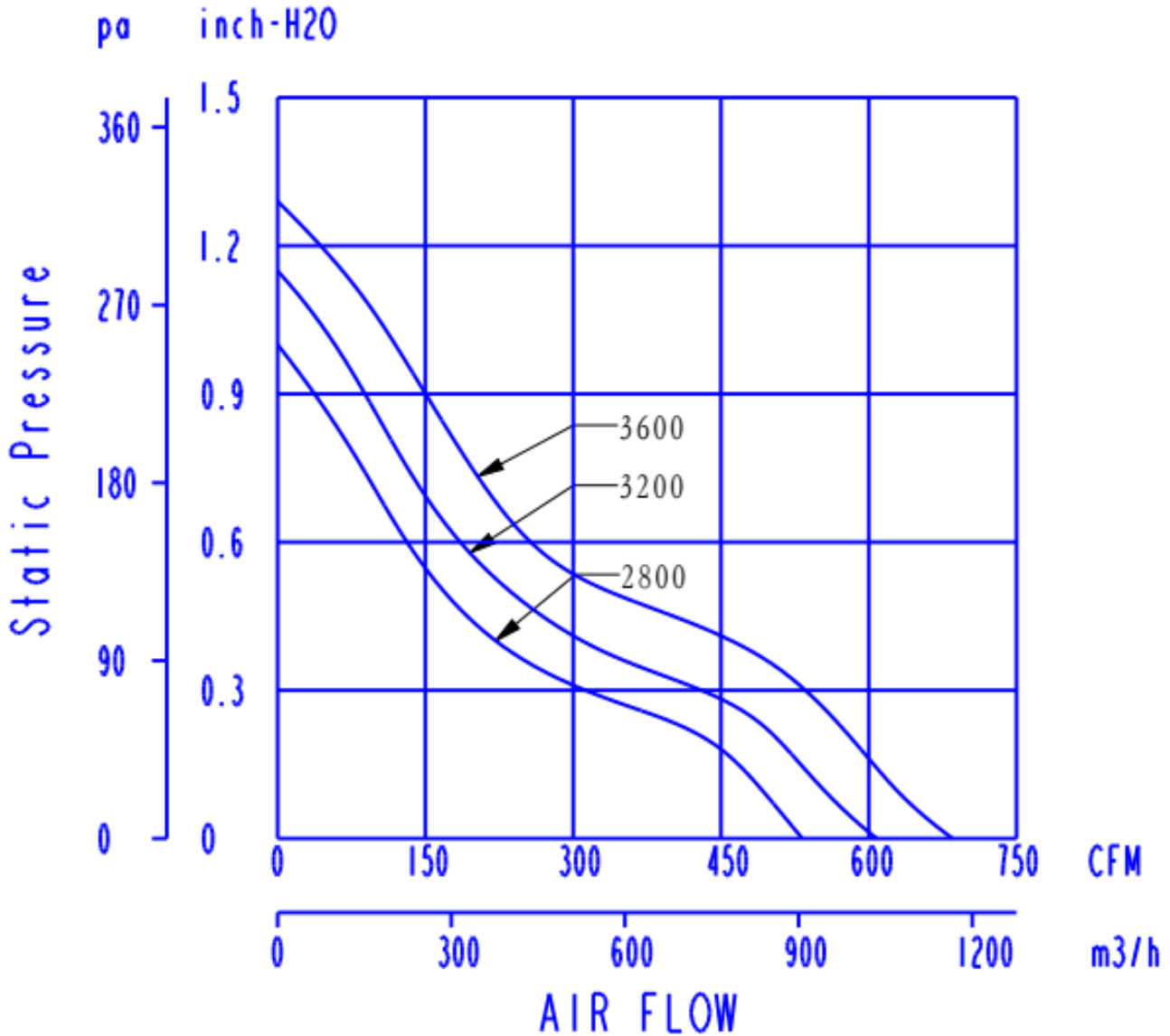
Comair Rotron Specification Sheet

Specification Date: Feb 01, 2018

Version: 01

D.) PERFORMANCE CHARACTERISTICS

| | |
|------------------|--|
| AIR FLOW: | 685 CFM \pm 5% (Measuring at zero static pressure) |
| STATIC PRESSURE: | 1.29" Inches of H2O (Measuring at zero airflow) |
| ACOUSTIC LEVEL: | 71 dBA Max. at MAX. speed (Measured via Freely Suspended at 1 meter) |





Comair Rotron Specification Sheet

Specification Date: Feb 01, 2018

Version: 01

E.) TERMINATION

Terminal connection:

Suit with terminal block

Blue = Neutral wire

Brown = Live wire

Yellow/Green = Ground wire

F.) RELIABILITY

| Bearing type | Temperature | Hours |
|--------------|-------------|--------|
| Ball bearing | 20°C | 60,000 |
| | 40°C | 50,000 |
| | 60°C | 40,000 |
| | 90°C | 20,000 |

G.) SAFETY

UL, CUL, CE

H.) FLAMMABILITY

The fan including all components meets a UL94V-0 rating or better.