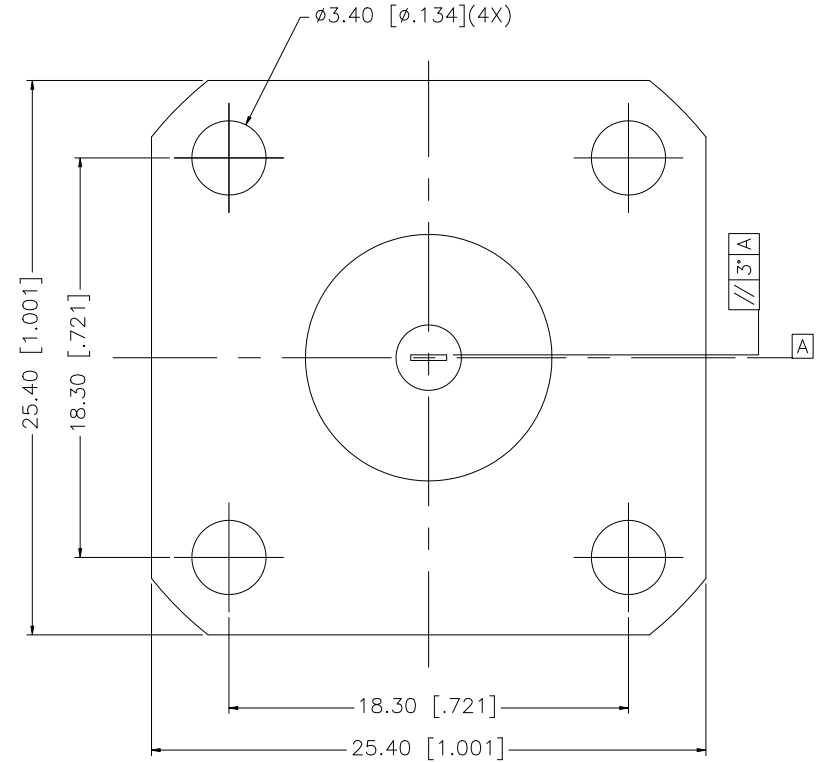
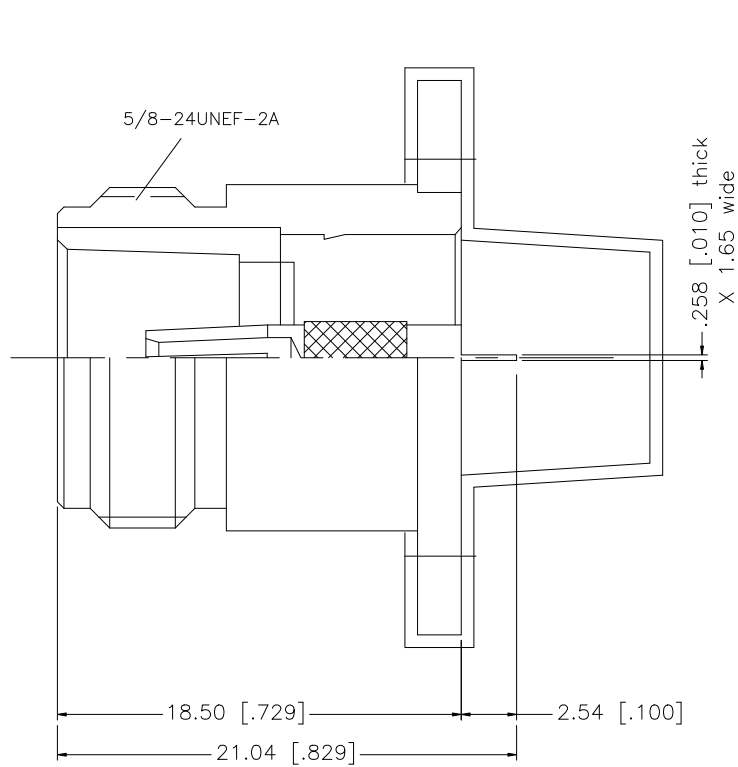


REV.	DATE	DESCRIPTION
A	02/21/00	REVISE BODY PLATING
B	06/01/04	UPDATE DRAWING FORMAT
C	12/17/07	REVISE BODY LENGTH AND MOUNTING HOLES



DESCRIPTION	MATERIAL	FINISH	QTY
8			
7			
6			
5			
4	COVER	PE	NATURAL 1
3	CONTACT PIN	PHOS. BRONZE	GOLD 1
2	INSULATOR	TEFLON	NATURAL 1
1	HOUSING W/ PANEL	BRASS	NEXCOTE 1

UNLESS OTHERWISE SPECIFIED DIMENSIONS ARE IN MILLIMETERS. DIMENSIONS IN [] ARE IN INCHES AND FOR CUSTOMER REFERENCE ONLY.

UNLESS OTHERWISE SPECIFIED TOLERANCES FOR MILLIMETERS ARE:
0.5 - 8mm ± 0.20mm
8 - 30mm ± 0.40mm
30 - 120mm ± 0.50mm

UNLESS OTHERWISE SPECIFIED TOLERANCES FOR INCHES ARE:
.020 - .315 = ± 0.007"
.315 - 1.180 = ± 0.015"
1.180 - 4.724 = ± 0.020"

DO NOT SCALE DRAWING

APPROVALS	DATE
DRAWN G.R.S.	12/17/07
CHECKED	
ISSUED	
SHEET 1 OF 1	
CAD FILE C:/172/172195.DWG	

Amphenol Connex

PART DESCRIPTION			
N PANEL RECEPT. JACK			
PART NO. 172195			
DWG. NO. 172195.DWG	REV. C	SIZE A	SCALE NA