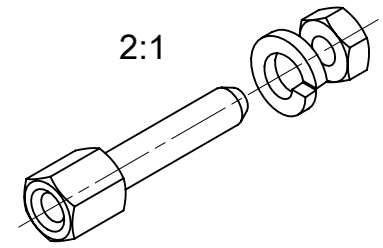


6 5 4 3 2 1

D

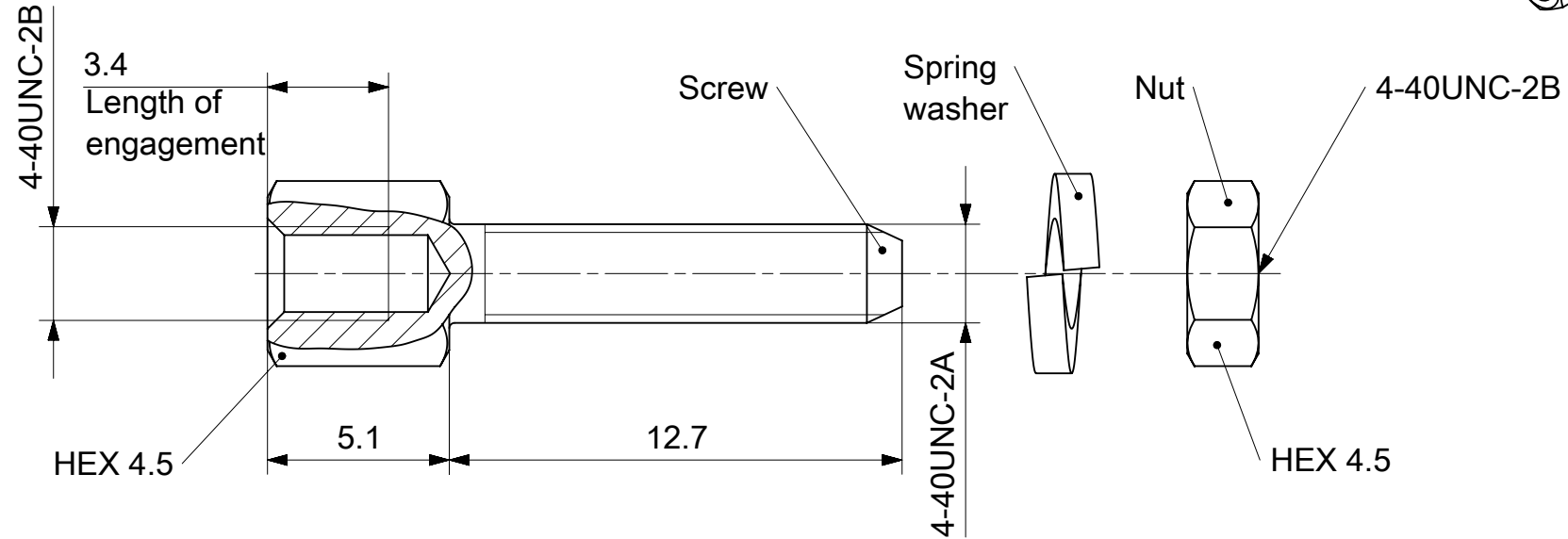
D



2:1

C

C



RoHS compliant  
by exemption

B

B

1731121183	F-GSCH1/5-K521	Brass	Nickel plated	1	-	1	1
Material Number	FCT Part Number	Material	Surface	Screw (pc.)	Washer (pc.)	Spring washer (pc.)	Nut (pc.)

UNLESS OTHERWISE SPECIFIED DIMENSIONS FOR REFERENCE ONLY  
REPLACEMENT FOR DOCUMENT NUMBER: F62M054\_D

A

A

Generally twice a material number respectively FCT part number is needed per connector.

Packaging specification: 1731120003-PK

FUNCTIONAL SYMBOLS FA = 0 FE = 0 FP = 0	THIS DRAWING CONTAINS INFORMATION THAT IS PROPRIETARY TO MOLEX ELECTRONIC TECHNOLOGIES, LLC AND SHOULD NOT BE USED WITHOUT WRITTEN PERMISSION		CURRENT REV DESC:		 FCT F-GSCH1/5-K521 4-40/4-40 FEMALE SCREW LOCK PRODUCT CUSTOMER DRAWING					
	DIMENSION UNITS	SCALE	EC NO: 731759							
	mm	5:1	DRWN: MSTEINBRUECK	2022/02/17						
DIVISIONAL SYMBOLS	GENERAL TOLERANCES (UNLESS SPECIFIED)		CHK'D: MTEUBEL		DRWN: SKANDB					
	ANGULAR TOL ± °		APPR: MTEUBEL		2022/12/12		DOCUMENT NUMBER			
	4 PLACES	±	INITIAL REVISION:		2021/08/27		1731121183			
	3 PLACES	±	DRWN: SKANDB		2021/11/22		PSD			
	2 PLACES	±	APPR: MTEUBEL		2021/11/22		000			
1 PLACE	±	DRAFT WHERE APPLICABLE MUST REMAIN WITHIN DIMENSIONS		FIRST ANGLE PROJECTION	DRAWING	SERIES	MATERIAL NUMBER	CUSTOMER	REVISION	SHEET NUMBER
0 PLACES	±				A4-SIZE	173112	SEE TABLE	GENERAL MARKET	A1	1 OF 1

DOCUMENT STATUS	P1	RELEASE DATE	2022/12/12	10:20:42
-----------------	----	--------------	------------	----------

6 5 4 3 2 1

FORMAT: master-ib-prod-A4  
REVISION: J  
DATE: 2020/01/14