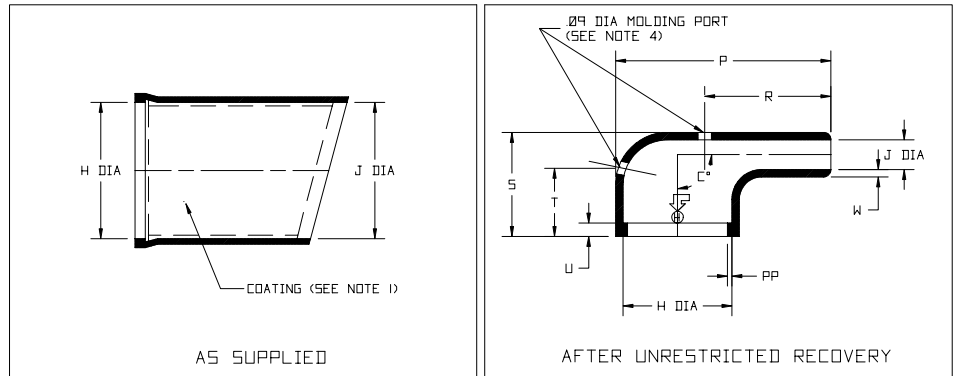


Thermofit Molded Parts  
Specification Control Drawing

Part Number : 223A213 thru 233  
Description : Boot, 90°, With Lip

NOTES

- All dimensions are in  $\frac{\text{inches}}{\text{Millimeters}}$
- Dimensions appearing in table are as follows:  
a - As Supplied  
b - After Unrestricted Recovery
- Coating is optional. As supplied dimensions appearing in table are for uncoated parts. When coating is added, entry diameters will be reduced by .06 max.
- Molding ports are optional. When -00 modification number is specified molding ports will be located as shown.



PART NUMBER	H		J		P	R	S	T	U	PP	W	C
	MIN	Max	MIN	Max	±10%	±10%	±10%	±10%	±20%	±20%	±20%	±5°
	a	b	a	b	b	b	b	b	b	b	b	b
223A213	1.00 [25.4]	.66 [16.7]	1.00 [25.4]	.24 [6.3]	1.33 [33.8]	.70 [17.8]	.97 [24.6]	.63 [16.0]	.09 [2.3]	.03 [0.7]	.06 [1.5]	90°
223A223	.85 [21.3]	.61 [15.5]	.85 [21.3]	.20 [5.0]	1.16 [29.4]	.65 [16.5]	.77 [19.5]	.45 [11.4]	.09 [2.3]	.03 [0.7]	.06 [1.5]	90°
223A233	1.20 [30.5]	.78 [19.8]	1.20 [30.5]	.28 [7.1]	1.49 [37.8]	.75 [19.0]	1.03 [26.1]	.63 [16.0]	.09 [2.3]	.03 [0.7]	.07 [1.8]	90°

*Raychem*  
RAYCHEM CORPORATION  
300 CONSTITUTION DRIVE  
MENLO PARK, CALIFORNIA 94025

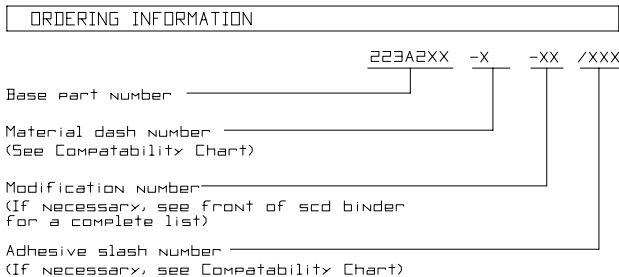
Revision : B  
Date : 6/5/96

Part Number : 223A213 thru 233  
Description : Boot, 90°, With Lip

Thermofit Molded Parts  
Specification Control Drawing

Part Number : 223A213 thru 233  
Description : Boot, 90°, With Lip

MATERIAL DASH NO.	MATERIAL DESCRIPTION	RT SPEC	COATING SLASH NO.	COATING S NO.	COATING DESCRIPTION
-3	Polyolefin, Semi-rigid	RT-301	/42	5-1017	Adhesive
-4	Polyolefin, Flexible	RT-1304	/42	5-1017	Adhesive



THIS DRAWING IS SUBJECT TO CHANGE WITHOUT NOTICE; CONSULT YOUR NEAREST FIELD REPRESENTATIVE FOR CURRENT REVISION

If this document is printed it becomes uncontrolled.  
Check for the latest revision.

*Raychem*  
RAYCHEM CORPORATION  
300 CONSTITUTION DRIVE  
MENLO PARK, CALIFORNIA 94025

Revision : B  
Date : 6/5/96

Part Number : 223A213 thru 233  
Description : Boot, 90°, With Lip