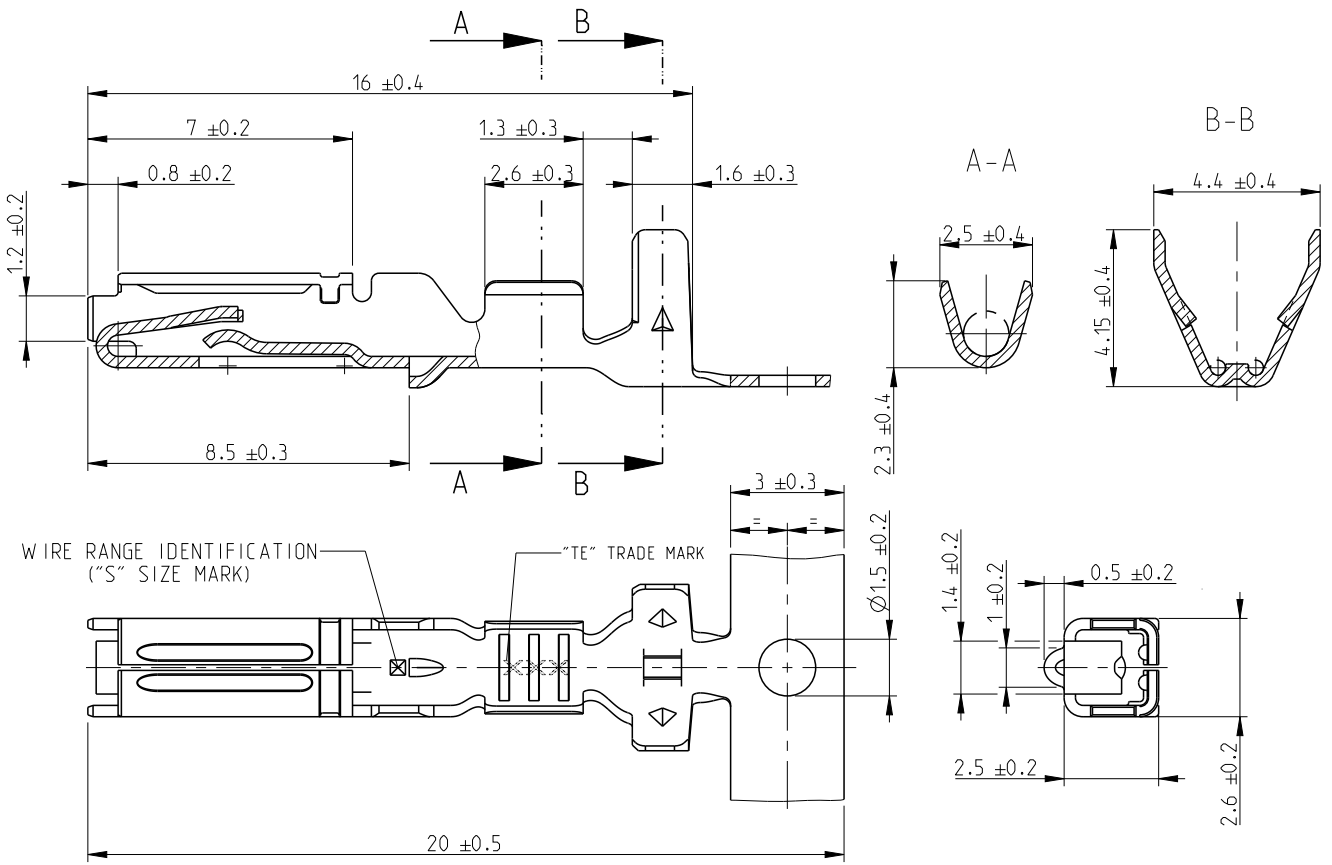


REVISIONS					
P	LTR	DESCRIPTION	DATE	DWN	APVD
	A2	Redrawn to Creo	03MAR2017	JJH	JP



1. DELIVERY STATE: ITEM IS SUPPLIED REELED ON CARTON REEL WITH STRIP PITCH = 11.9±0.2mm
 STATO DI FORNITURA: AVVOLTI SU BOBINA CON PASSO TRA TERMINALI DI = 11.9±0.2mm

CUSTOMER DRAWING FOR INFORMATION ONLY
 DISEGNO PER CLIENTE SOLO PER RIFERIMENTO



INS. DIA. RANGE (DIAM. ISOLANTE)	WIRE RANGE (RANGO FILO)
Ø1.55 - 1.7mm	0.35 - 0.5mm ²

PRE-TIN (PRE-STAGNATO)	BRASS (OTTONE)	282374-1
FINISH/COLOUR (FINITURE/COLORE)	MATERIAL (MATERIALE)	PART NUMBER

DIMENSIONS: mm	DWN R. MARTINI	10FEB1994	MATERIAL	-	FINISH	-										
	CHK C. TARTARI	11FEB1994														
TOLERANCES UNLESS OTHERWISE SPECIFIED:	APVD	-														
<table border="1"> <tr> <td>PLC</td> <td>±</td> </tr> <tr> <td>1 PLC</td> <td>±</td> </tr> <tr> <td>2 PLC</td> <td>±</td> </tr> <tr> <td>3 PLC</td> <td>±</td> </tr> <tr> <td>4 PLC</td> <td>±</td> </tr> </table> ANGLES ±2°	PLC	±	1 PLC	±	2 PLC	±	3 PLC	±	4 PLC	±	PRODUCT SPEC	108-20159	NAME MULTILOCK .070 SRS REC. CONTACT FOR NEW GENERATION CONNECTOR			
	PLC	±														
1 PLC	±															
2 PLC	±															
3 PLC	±															
4 PLC	±															
	APPLICATION SPEC	114-20056	SIZE	A 4	CAGE CODE	-	DRAWING NO	©=282374	RESTRICTED TO	-						
	WEIGHT	-	CUSTOMER DRAWING													
			SCALE	5:1	SHEET	1 OF 1	REV	A2								