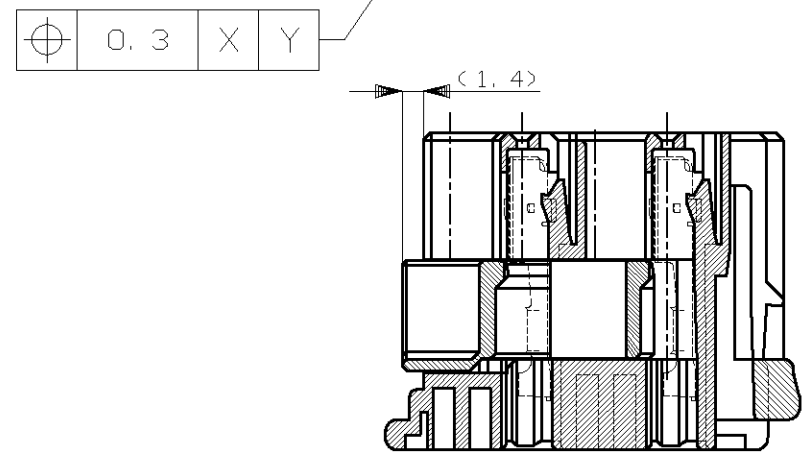
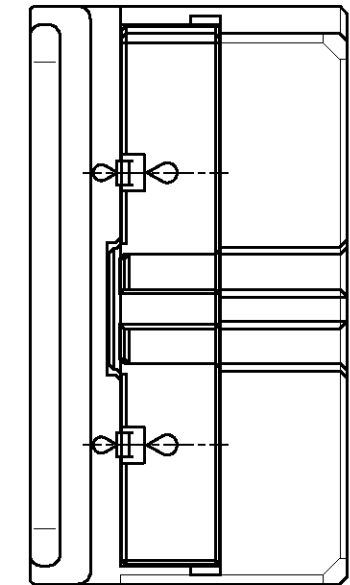
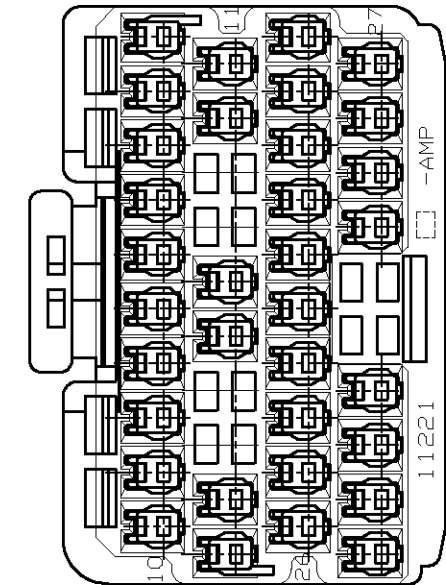
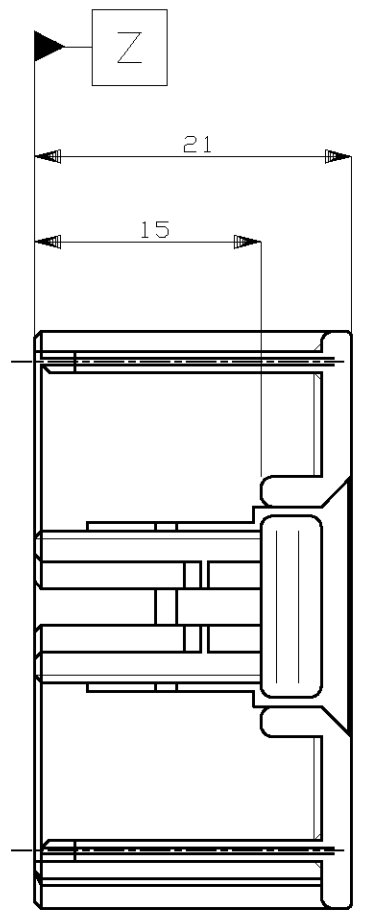
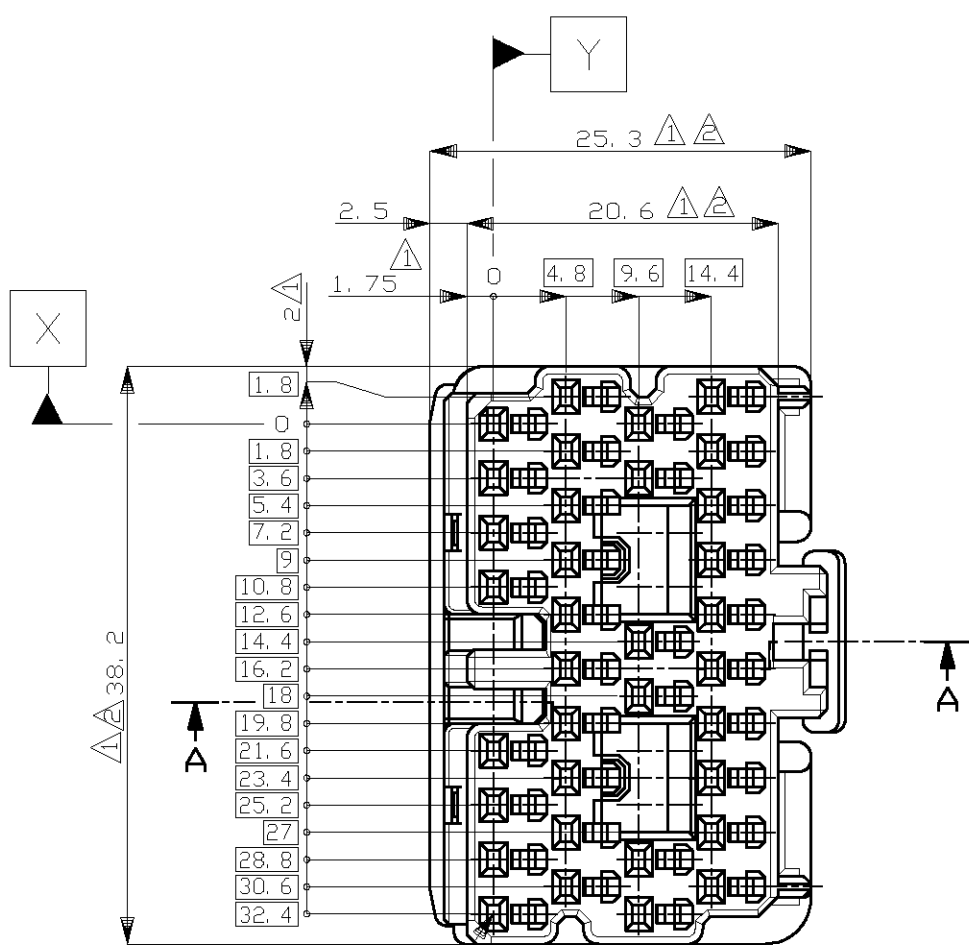


THIS DRAWING IS UNPUBLISHED. RELEASED FOR PUBLICATION
 © COPYRIGHT - By Tyco Electronics JAPAN G.K. ALL RIGHTS RESERVED.

LOC	DIST	REVISIONS					
		P	LTR	DESCRIPTION	DATE	DWN	APVD
J	-		A1	REDRAWN W/CHANGE	ECR-13-000281	16JAN2013	TS KB



SECT. A-A

- 1. TO BE MEASURED BETWEEN [Z] AND 2.
 - 2. TO BE MATE WITH CAP HOUSING SMOOTHLY.
 - 3. APPLIED CONTACT PART NUMBER; 175266 AND 175267.
 - 4. APPLICABLE PRODUCT SPECIFICATION NUMBER; 108-5359.
 - 5. RETAINER COLOR; ALL WHITE
- 1. [Z] 面から2mmの範囲で測定。
 - 2. 相手ハウジングと所定の機能を満足して嵌合できること。
 - 3. 内装するリセプタクルコンタクト型番; 175266 及び 175267
 - 4. 適用製品規格番号; 108-5359
 - 5. リテーナは全て白色。

	灰 (DARK GRAY)	316022-6
OBSOLETE	黒 (BLACK)	316022-2
	白 (WHITE)	316022-1
	色 5 COLOR	型番 PART NUMBER

TOLERANCES UNLESS OTHERWISE SPECIFIED:

10 ≥	: ±0.2
30 ≥ > 10	: ±0.25
100 ≥ > 30	: ±0.3
ANGLE : ±3°	

THIS DRAWING IS A CONTROLLED DOCUMENT.		DWN T.SHINOHARA 16JAN2013	STE TE Connectivity													
DIMENSIONS: mm		CHK K.BETSUI 16JAN2013														
TOLERANCES UNLESS OTHERWISE SPECIFIED:		APVD K.BETSUI 16JAN2013	NAME													
<table border="1"> <tr><td>0 PLC</td><td>± -</td></tr> <tr><td>1 PLC</td><td>± -</td></tr> <tr><td>2 PLC</td><td>± -</td></tr> <tr><td>3 PLC</td><td>± -</td></tr> <tr><td>4 PLC</td><td>± -</td></tr> <tr><td>ANGLES</td><td>± -</td></tr> </table>		0 PLC	± -	1 PLC	± -	2 PLC	± -	3 PLC	± -	4 PLC	± -	ANGLES	± -	PRODUCT SPEC		040 SERIES PAIRMATE CONNECTOR 34POSITION PLUG HOUSING ASSEMBLY
0 PLC	± -															
1 PLC	± -															
2 PLC	± -															
3 PLC	± -															
4 PLC	± -															
ANGLES	± -															
MATERIAL PBT		FINISH -														
SEE NOTE 4		APPLICATION SPEC		SIZE												
WEIGHT -		CUSTOMER DRAWING		A300779												
SCALE 2:1		DRAWING NO C-316022		RESTRICTED TO -												
SHEET 1 OF 1		REV A1														