



LAYOUT SHOWN AS EXAMPLE

Keying Shown as example

CHARACTERISTICS

- Standard : Based on MIL-DTL-38999 Series III
- Shell Material : Aluminium
- Shell Plating : Nickel
- Insulator : Thermoplastic
- Contacts : Copper Alloy
- Seals & Grommet : Silicon Elastomer
- Contact Plating : Gold over copper Alloy 0.8µm minimum
- Durability : 500 Mating cycles
- Delivered without Souriau contacts
- Temperature Range : -65°C to +200°C
- Salt Spray : 48 hours
- Mass : 43.32 g ± 10%

| Connector dimension | |
|---------------------|-----------------|
| Dim | Nominal |
| A | 58.7±0.3 |
| B | 42.85+0.1/-0.15 |
| R | 32.5Max |
| S | 55.6±0.4 |
| W | 3+0.9/-0.1 |
| VV THREAD | M37x1-6g |

SOURIAU shall not be liable for any non-conformity or damage due to a use of the Products which does not comply with the Specifications issued by either of the Parties or by a third party (professional recommendation, technical notice.)

| Country | Jurisdiction & Control List |
|---------|-----------------------------|
| FR | Not Listed |

PN: 8D725F46PEL

| | | | |
|--------------|---|--------------------------------|---|
| A | 03-10-2016 | First Release | |
| ISS | DATE | Latest modification - by | MOD N° |
| Designed By: | | Date: | CUSTOMER DRAWING |
| TITLE | Aluminium Receptacle 8D series | | |
| SCALE | | General linear Tolerances: ±-- | NPRDS / PROJECT 859 |
| NA | SOURIAU WWW.SOURIAU.COM | | This document is the property of SOURIAU it must not be reproduced or communicated without permission |
| FORMAT | A3 | | SOURIAU DRG N° 8D725F46PEL-C |
| | | | SHEET 1/2 |

| | | | | | | | | | | |
|----------------|------------------------|---|---|----|---|----|---|---|---|---------------------------------|
| BASIC SERIES: | 8D | 7 | - | 25 | F | 46 | P | E | L | Delivered W/O Contacts |
| SHELL TYPE : | Jam nut Receptacle | | | | | | | | | ORIENTATION : E |
| CONTACT TYPE : | Standard Crimp Contact | | | | | | | | | CONTACT TYPE : PIN(500 Matings) |
| SHELL SIZE : | 25 | | | | | | | | | CONTACT LAYOUT : 25-46 |
| PLATING : | F = Nickel | | | | | | | | | |

Contact Layout



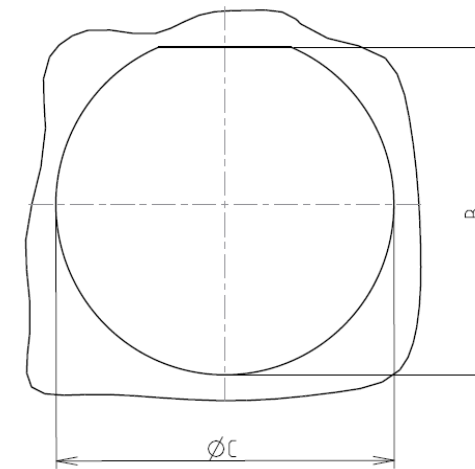
(Inactive for new design for MIL-DTL-38999. For new design, use arrangement no. 25-47.)

| Contact position ID | Location | | Contact position ID | Location | |
|---------------------|--------------|--------------|---------------------|--------------|--------------|
| | X-axis (mm) | Y-axis (mm) | | X-axis (mm) | Y-axis (mm) |
| A | +065 (1.65) | +533 (13.54) | a | +404 (10.26) | +125 (3.18) |
| B | +275 (6.99) | +466 (11.84) | b | +437 (11.10) | +000 (0.00) |
| C | +420 (10.67) | +337 (8.56) | c | +404 (10.26) | -125 (3.18) |
| D | +490 (12.45) | +227 (5.77) | d | +314 (7.98) | -221 (5.61) |
| E | +531 (13.49) | +093 (2.36) | e | +245 (6.22) | -337 (8.56) |
| F | +531 (13.49) | -093 (2.36) | f | +136 (3.45) | -424 (10.77) |
| G | +490 (12.45) | -227 (5.77) | g | +000 (0.00) | -395 (10.03) |
| H | +420 (10.67) | -337 (8.56) | h | -136 (3.45) | -424 (10.77) |
| J | +275 (6.99) | -466 (11.84) | j | -245 (6.22) | -337 (8.56) |
| K | +065 (1.65) | -533 (13.54) | m | -314 (7.98) | -221 (5.61) |
| L | -065 (1.65) | -533 (13.54) | n | -404 (10.26) | -125 (3.18) |
| M | -275 (6.99) | -466 (11.84) | p | -437 (11.10) | +000 (0.00) |
| N | -420 (10.67) | -337 (8.56) | q | -404 (10.26) | +125 (3.18) |
| P | -490 (12.45) | -227 (5.77) | r | -314 (7.98) | +221 (5.61) |
| R | -531 (13.49) | -093 (2.36) | s | -245 (6.22) | +337 (8.56) |
| S | -531 (13.49) | +093 (2.36) | t | -136 (3.45) | +424 (10.77) |
| T | -490 (12.45) | +227 (5.77) | u | +000 (0.00) | +395 (10.03) |
| U | -420 (10.67) | +337 (8.56) | v | +097 (2.46) | +265 (6.73) |
| V | -275 (6.99) | +466 (11.84) | w | +180 (4.57) | +000 (0.00) |
| W | -065 (1.65) | +533 (13.54) | x | +097 (2.46) | -265 (6.73) |
| X | +136 (3.45) | +424 (10.77) | y | -097 (2.46) | -265 (6.73) |
| Y | +245 (6.22) | +337 (8.56) | z | -180 (4.57) | +000 (0.00) |
| Z | +314 (7.98) | +221 (5.61) | AA | -097 (2.46) | +265 (6.73) |

| Shell size | Arrangement no. | Number of contacts | Size contacts | Service rating | Contact location | Standard contact | |
|------------|-----------------|--------------------|---------------|----------------|------------------|------------------|---------------|
| | | | | | | Pin | Socket |
| 25 | -46 | 2 | 8 (see note) | Coax | z, w | M39029/60-367 | M39029/59-366 |
| | | 4 | 16 | I | AA, v, x, y | M39029/58-364 | M39029/56-352 |
| | | 40 | 20 | | All others | M39029/58-363 | M39029/56-351 |

Panel cutout

JAM NUT RECEPTACLE (TYPE 7)



| Dim | Nominal |
|-----|---------------|
| B | 43.43+0/-0.25 |
| ØC | 44.7+0.25/-0 |

SOURIAU shall not be liable for any non-conformity or damage due to a use of the Products which does not comply with the Specifications issued by either of the Parties or by a third party (professional recommendation, technical notice.)

| Country | Jurisdiction & Control List |
|---------|-----------------------------|
| FR | Not Listed |

PN: 8D725F46PEL

| | | | |
|----------------|-------------------------------------|----------------------------|---|
| A | 03-10-2016 | First Release | |
| ISS | DATE | Latest modification - by | MOD N° |
| Designed By: | | Date: | CUSTOMER DRAWING |
| TITLE | Aluminium Receptacle 8D series | | |
| SCALE | | General linear Tolerances: | NPRDS / PROJECT |
| NA | | ±-- | 859 |
| SOURIAU | WWW.SOURIAU.COM | | This document is the property of SOURIAU it must not be reproduced or communicated without permission |
| FORMAT | SOURIAU DRG N° 8D725F46PEL-C | | SHEET 2/2 |