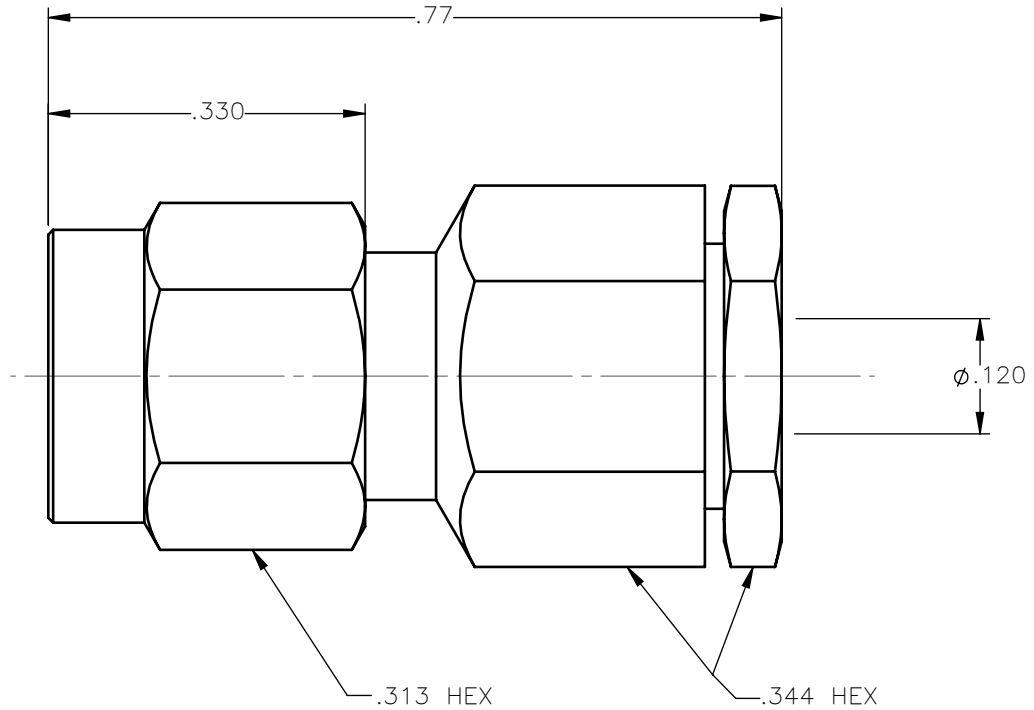


REVISIONS			
REV.	DESCRIPTION	DATE	APPROVED
B	REDRAWN, CHANGED MIL NOTE	02/17/15	N.D.





NOTES: CONFORMS TO MIL-PRF-39012

MATERIALS:

1. BODY & COUPLING NUT = STAINLESS STEEL PER ASTM A582, ALLOY 303, CONDITION "A".
2. INSULATORS = VIRGIN WHITE TEFLON PER ASTM D1710, GRADE 1, TYPE I, CLASS "B".
3. CONTACT & RING = BERYLLIUM COPPER PER ASTM B196, ALLOY C17300, TEMPER TD04.
4. SOLDER FITTING & COMPRESSION NUT = BRASS PER ASTM B16, ALLOY C36000, TEMPER H02.
5. GASKET = SILICONE RUBBER PER ZZ-R-765, CLASS 2B, GRADE 65-75.

FINISHES:

1. BODY & COUPLING NUT = PASSIVATE PER SAE-AMS-2700
2. CONTACT = GOLD PLATE PER ASTM B488-01, TYPE II, 50µin MIN, GRADE C, OVER 100 TO 200µin STRESS FREE SULFAMATE NICKEL PER QQ-N-290.
3. SOLDER SLEEVE = GOLD PLATE PER ASTM B488-01, TYPE II, 30µin MIN, GRADE C OVER 100 TO 200µin COPPER STRIKE PER MIL-C-14550.
4. COMPRESSION NUT = NICKEL PLATE PER QQ-N-290, 50µin MIN, GRADE G, EXCEPT 100 TO 200µin THICK OVER 50 TO 100µin THICK COPPER PER MIL-C-14550.

UNLESS OTHERWISE SPECIFIED DIMENSIONS ARE IN INCHES TOLERANCES ON	DWN: A.D.M.	DATE: 12/15/03	 Property of Radiall This document cannot be reproduced or communicated to a third party without prior written permission of RADIALL.		
	CHKD: D.N.	DATE: 12/15/03			
DECIMAL	ANGLE	APVD: D.J.C.	DATE: 12/15/03	SMA STRAIGHT PLUG CLAMP TYPE FOR .086 S/R CABLE	
REFERENCE:	MATERIALS AND FINISHES:	SIZE: A	FSCM NO.: 19505		DWG NO.: 9501-9593-010
ORIGINATED: D.N. DATE: 11/21/90	SEE NOTES	SCALE: 5:1	THIRD ANGLE PROJECTION		REV: B
			SHEET 1 OF 1		

9501-9593-010