



Selector switch, illuminable, 22 mm, round, plastic, red, selector switch, short, 3 switch positions I>O<II, momentary contact type, actuating angle 2x45°, 10:30h/12h/13:30h Z=50-unit packaging

|  |   |
|--|---|
| product brand name                                 | SIRIUS ACT  |
| product designation                                | Selector switches   |
| design of the product                              | Actuating/signaling element   |
| product type designation                           | 3SU1  |
| product line                                       | Plastic, black, 22 mm   |
| <b>Enclosure</b>                                   |   |
| number of command points                           | 1   |
| <b>Actuator</b>                                    |   |
| design of the actuating element                    | Selector, short   |
| principle of operation of the actuating element    | momentary contact, 2x45° (10:30 h/12 h/13:30 h), return on both sides |
| product extension optional                         |   |
| • light source                                     | Yes   |
| • contact module                                   | Yes   |
| color of the actuating element                     | red   |
| material of the actuating element                  | plastic   |
| shape of the actuating element                     | Handle  |
| outer diameter of the actuating element            | 32.3 mm   |
| number of switching positions                      | 3   |
| actuating angle                                    |   |
| • clockwise  | 45°   |
| • anticlockwise                                    | 45°   |
| <b>Front ring</b>                                  |   |
| product component front ring                       | Yes   |
| design of the front ring                           | standard  |
| material of the front ring                         | plastic   |
| color of the front ring                            | black   |
| <b>General technical data</b>                      |   |
| protection class IP                                | IP66, IP67, IP69(IP69K)   |
| degree of protection NEMA rating                   | 1, 2, 3, 3R, 4, 4X, 12, 13  |
| shock resistance                                   |   |
| • according to IEC 60068-2-27                      | sinusoidal half-wave 15g / 11 ms                                      |
| • for railway applications according to EN 61373   | Category 1, Class B   |
| vibration resistance                               |   |
| • according to IEC 60068-2-6                       | 10 ... 500 Hz: 5g   |
| • for railway applications according to EN 61373   | Category 1, Class B   |
| operating frequency maximum                        | 1 800 1/h   |
| mechanical service life (switching cycles) typical | 1 000 000   |
| reference code according to IEC 81346-2            | S   |
| Substance Prohibitance (Date)                      | 10/01/2014  |

| Safety related data   |  |
|---|--|
| B10 value with high demand rate according to SN 31920   | 300 000  |
| <b>proportion of dangerous failures</b>   |  |
| <ul style="list-style-type: none"> <li>with low demand rate according to SN 31920</li> <li>with high demand rate according to SN 31920</li> </ul> | 20 %<br>20 %   |
| failure rate [FIT] with low demand rate according to SN 31920   | 100 FIT  |
| Ambient conditions  |  |
| <b>ambient temperature</b>  |  |
| <ul style="list-style-type: none"> <li>during operation</li> <li>during storage</li> </ul>  | -25 ... +70 °C<br>-40 ... +80 °C                                   |
| environmental category during operation according to IEC 60721  | 3M6, 3S2, 3B2, 3C3, 3K6 (with relative air humidity of 10 ... 95%) |
| Installation/ mounting/ dimensions  |  |
| <b>height</b>   | 32.3 mm  |
| <b>width</b>  | 32.3 mm  |
| <b>shape of the installation opening</b>  | round  |
| <b>mounting diameter</b>  | 22.3 mm  |
| <b>positive tolerance of installation diameter</b>  | 0.4 mm   |
| <b>mounting height</b>  | 28.8 mm  |
| <b>installation width</b>   | 32.3 mm  |
| <b>installation depth</b>   | 25.4 mm  |
| Certificates/ approvals   |  |
| Further information   |  |

Information- and Downloadcenter (Catalogs, Brochures,...)

<https://www.siemens.com/ic10>

Industry Mall (Online ordering system)

<https://mall.industry.siemens.com/mall/en/en/Catalog/product?mlfb=3SU1002-2BM20-0AA0-Z X90>

Cax online generator

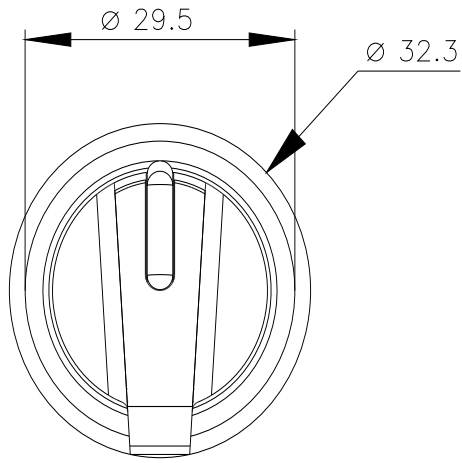
<http://support.automation.siemens.com/WW/CAXorder/default.aspx?lang=en&mlfb=3SU1002-2BM20-0AA0-Z X90>

Service&Support (Manuals, Certificates, Characteristics, FAQs,...)

<https://support.industry.siemens.com/cs/ww/en/ps/3SU1002-2BM20-0AA0-Z X90>

Image database (product images, 2D dimension drawings, 3D models, device circuit diagrams, EPLAN macros, ...)

[http://www.automation.siemens.com/bilddb/cax\\_de.aspx?mlfb=3SU1002-2BM20-0AA0-Z X90&lang=en](http://www.automation.siemens.com/bilddb/cax_de.aspx?mlfb=3SU1002-2BM20-0AA0-Z X90&lang=en)



last modified:

1/26/2022 