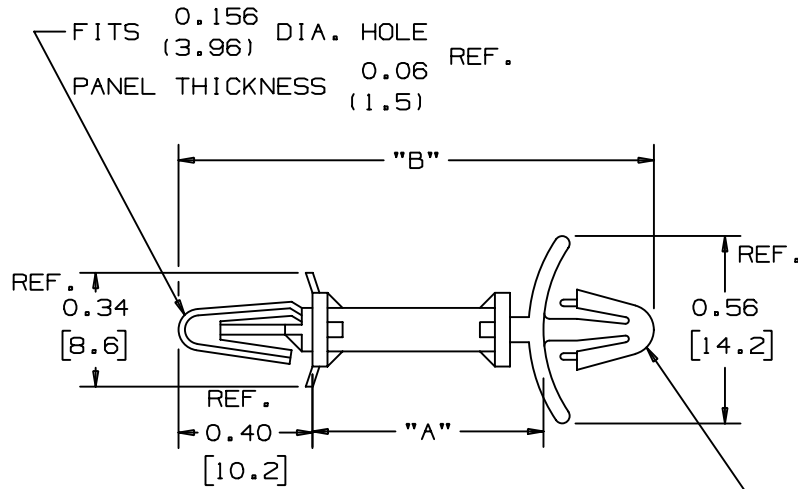
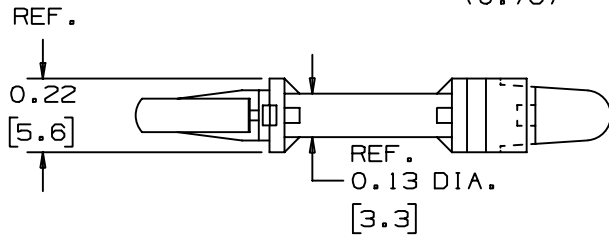


THIS COPY IS PROVIDED ON A RESTRICTED BASIS AND IS NOT TO BE USED IN ANY WAY DETRIMENTAL TO THE INTERESTS OF PANDUIT CORP.



REF: FITS 0.187 TO 0.192 DIA. HOLE (4.75) (4.88)
 PANEL THICKNESS 0.03 TO 0.08 (0.76) (2.03)



PANDUIT PART NO. *	"A" in/mm	"B" in/mm	WEIGHT lbs/100 (g)/pcs
CBLS18	0.18 (4.6)	0.92 (23.4)	0.024 (11)
CBLS25	0.25 (6.4)	0.98 (24.9)	0.051 (23)
CBLS37	0.37 (9.4)	1.11 (28.2)	0.075 (34)
CBLS50	0.50 (12.7)	1.23 (31.2)	0.099 (45)
CBLS62	0.62 (15.7)	1.35 (34.3)	0.123 (56)
CBLS75	0.75 (19.1)	1.48 (37.6)	0.150 (68)

NOTE:

* SEE CURRENT PRICE SHEET FOR PART NUMBER SUFFIX, DESIGNATION FOR PACKAGE SIZE AND PART COLOR.

(DIMENSIONS IN PARENTHESES ARE IN METRIC.)

CAD FILENAME/LAYERS

G00239HL_PI_CBLS_00

PANDUIT

CORP. TINLEY PARK, ILLINOIS

CBLS
 CIRCUIT BOARD LOCKING SUPPORT

UNLESS OTHERWISE SPECIFIED,
 DIMENSIONAL TOLERANCES ARE:
 (.X) ±0.1(2.5) (.XXX) ±0.020(.5)
 (.XX) ±0.05(1.3) ANGLES ±5°

UNLESS OTHERWISE SPECIFIED,
 ALL DIMENSIONS ARE GIVEN
 IN INCHES, THIRD ANGLE PROJECTION.

DRAWN BY
 LGG

MAT'L:

SCALE

2X

DATE
 6/13/01

NYLON 6/6

DRAWING NO.

GB0239HL

DWG

A
 SIZE

REV	DATE	BY	CHK	DESCRIPTION	ECN	R	CUST	SUP
R	6-13-01	LGG		CHANGED DRAWING FROM SS-18657 (RV 4)	GB0239HL	R		