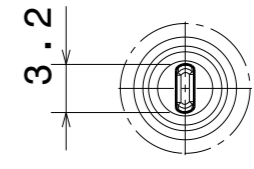
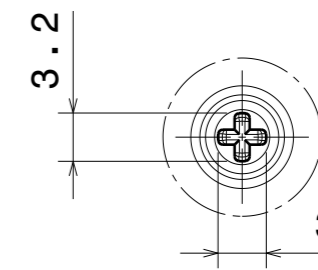


Fasten middle screws first. Recommended torque with pan head screw: 0.57Nm (for 1.6mm thick PCB, no thermal pad)

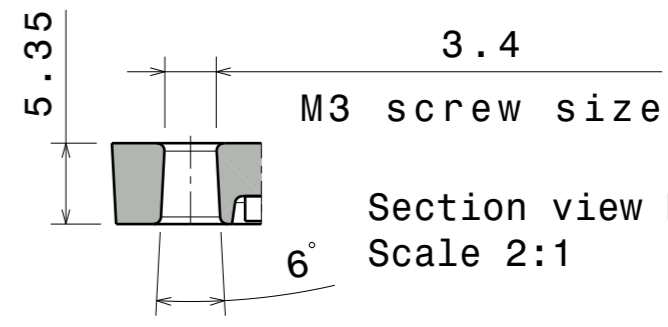
Wiring:  
PCB is fully sealed between the lens with silicone seal and the heatsink. Wiring needs to be done through the PCB and heatsink to maintain high IP rating.



Detail A Scale 2:1

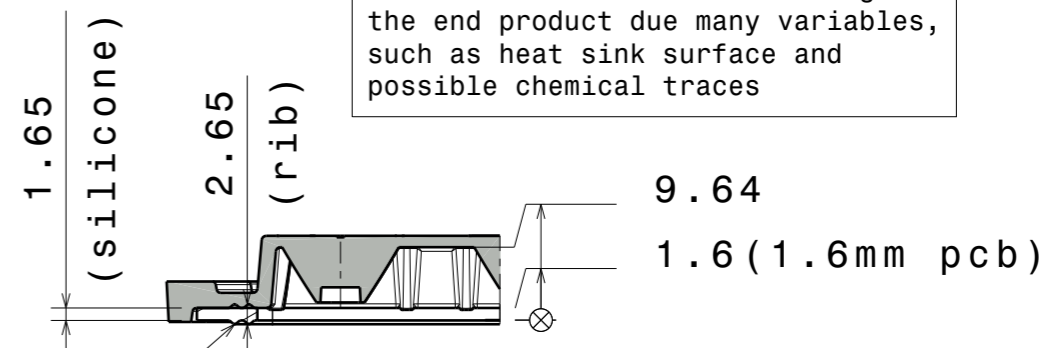


Detail B Scale 2:1



Section view D-D Scale 2:1

Silicone seal is tested to work in LEDiL test assemblies. Customer is recommended to test the sealing in the end product due many variables, such as heat sink surface and possible chemical traces



Section view C-C Scale 1:1

INDEX	PART NO	DESCRIPTION	MATERIAL	COLOUR
1	C14018	2X6-SEAL25	Silicone	
2	C14887	HB-IP-2X6-RS	PMMA	clear

Tolerances if not otherwise shown  
According to DIN ISO 2768-1  
Linear measures:  
up to 30mm class M, otherwise class C  
According to DIN ISO 2768-2  
Form and position: class L

**LEDiL** Ledil Oy  
Salorankatu 10  
FIN 24240 SALO  
Finland

THIRD ANGLE PROJECTION:

DRAWING TITLE  
**CS14895\_HB-IP-2X6\_Mechanical model**

This drawing is the property of LEDiL Oy. It may not be reproduced, copied or communicated without a written agreement with LEDiL Oy.

SIZE PART NUMBER  
**A3 CS14895**

SCALE 1:1 WEIGHT 58,8 g SHEET 1/1