



FocusLCDs.com
LCDs MADE SIMPLE®

Ph. 480-503-4295 | NOPP@FocusLCD.com

TFT | CHARACTER | UWVD | FSC | SEGMENT | CUSTOM | REPLACEMENT

TFT Display Module

Part Number

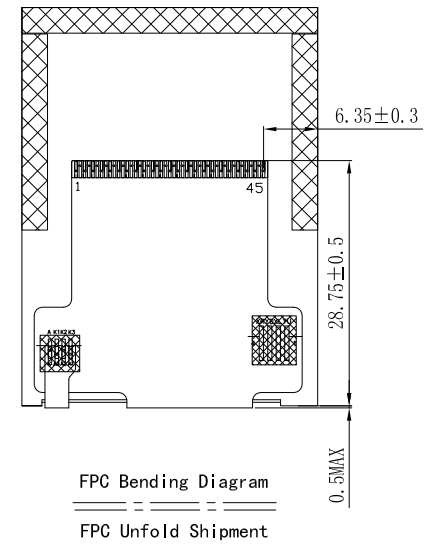
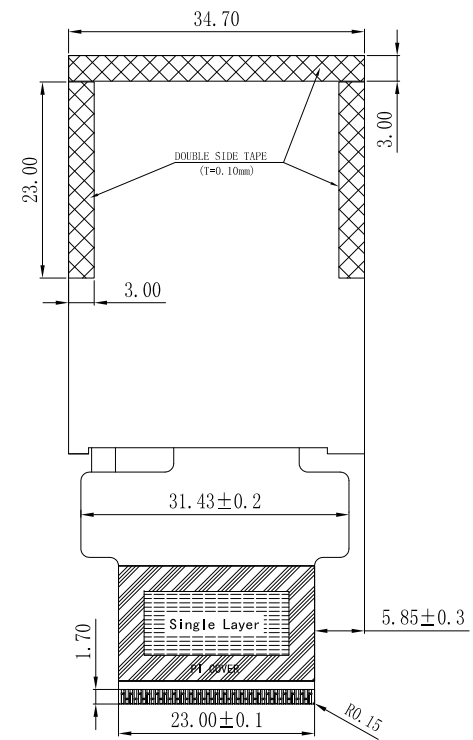
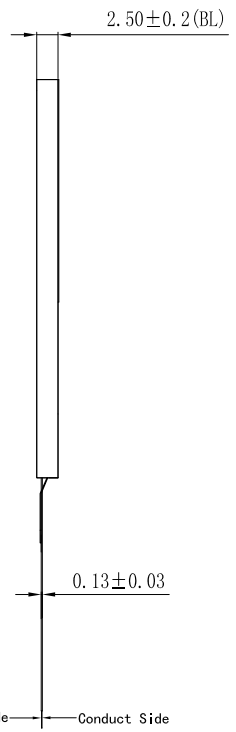
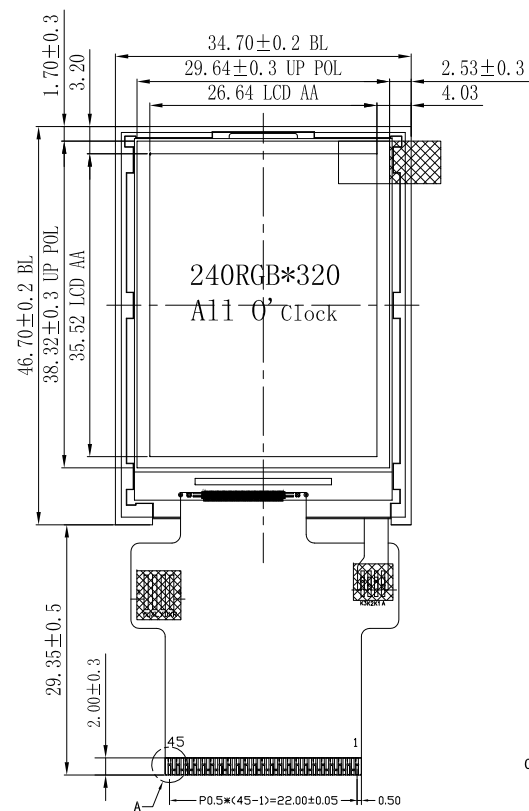
E18RA1-FW450-N

Overview

1.8" TFT: 240x320 (34.7x46.7), 8/9/16/18Bit
MCU Interface, 3/4SPI+16/18Bit RGB
Interface, 3-line/4-line Serial Interface, All View,
Wide Temp (-20° - 70° operating/-30° - 80°
storage), Transmissive, No touch panel, 450
nits, Solderable FPC, RoHS Compliant.
Controller: ST7789S

Re V	Revision content description	Date
VO	FIRST	2020.04.28

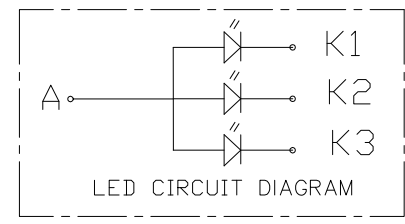
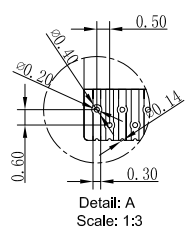
NO.	Pin Name
1	GND
2	VCI
3	IOVCC
4	IM2
5	IM1
6	IM0
7	RESET
8	CS
9	DC (SPI-SCL)
10	WR (SPI-RS)
11	RD
12	VSYNC
13	HSYNC
14	ENABLE
15	DOTCLK
16	SDA
17	DB0
18	DB01
19	DB02
20	DB03
21	DB04
22	DB05
23	DB06
24	DB07
25	DB08
26	DB09
27	DB10
28	DB11
29	DB12
30	DB13
31	DB14
32	DB15
33	DB16
34	DB17
35	SDO
36	LEDA
37	LEDK1
38	LEDK2
39	LEDK3
40	NC
41	XR(NC)
42	YU(NC)
43	XL(NC)
44	YD(NC)
45	GND



IM2	IM1	IM0	Interface type	DB Pin in use
0	0	0	DB1 Tvb_ 8-bit interface	DB7-DB0
0	0	1	DB1 Tvb_ 16-bit interface	DB15-DB0
0	1	0	DB1 Tvb_ 9-bit interface	DB8-DB0
0	1	1	DB1 Tvb_ 18-bit interface	DB17-DB0
1	0	1	3-Wire 9 BIT data serial interface	SDA SCL CS
1	1	0	4-Wire 8 BIT data serial interface	SDA SCL CS RS

NOTE:
 1. If not use PIN, fix to the GND ,IOVCC
 2.If NC,use RGB mode must select serial interface

- NOTES:
- DISPLAY TYPE: 1.77", TFT-LCD, 240XRGBX320 262K COLORS
 - DISPLAY MODE: IPS NORMALLY BLACK
 - VIEWING DIRECTION: ALL
 - LCM DRIVER IC: ST7789V (COG)
 - LCM Interface: 3/4SPI+18BIT RGB 8/9/16/18bit MCU
 - VDD/VCI: 3.3V; IOVCC: 1.8V;
 - OPERATING TEMP: -20°C TO 70°C
STORAGE TEMP: -30°C TO 80°C
 - BACK LIGHT: LED WHITE, 3 LED, 60mA, 3.2±0.3V
 - Default Tolerance: ±0.2
 - RoHS COMPLIANT.
 - Key size *.



FOCUS LCDs
LCDs MADE SIMPLE®

TOLERANCE()	DRAWING NAME	E18RA1-FW450-N	
	PARTS NO.		
TOLERANCE UNLESS OTHERWISE SPECIFIED	X.X±0.3	Drawn	Unit
	X.XX±0.2	Checked	mm
Scale 1:1	Approve		Page 1/1