

DO NOT SCALE FROM THIS PRINT

DIMENSIONS ARE IN INCHES		UNLESS OTHERWISE NOTED		TOLERANCES ARE:		TITLE: ASSEMBLY	DWG NO: XDMX-XX-X-XX-XXX-XXX
ONE PLACE DECIMALS ± .1	THREE PLACE DECIMALS ± .005	ANGLES ± 1	INSULATION DISPLACEMENT TERMINAL CONNECTOR		SHEET 1 OF 2		
TWO PLACE DECIMALS ± .01	FOUR PLACE DECIMALS ± .0020						

XDMX-XX-X-XX-XXX-XXX

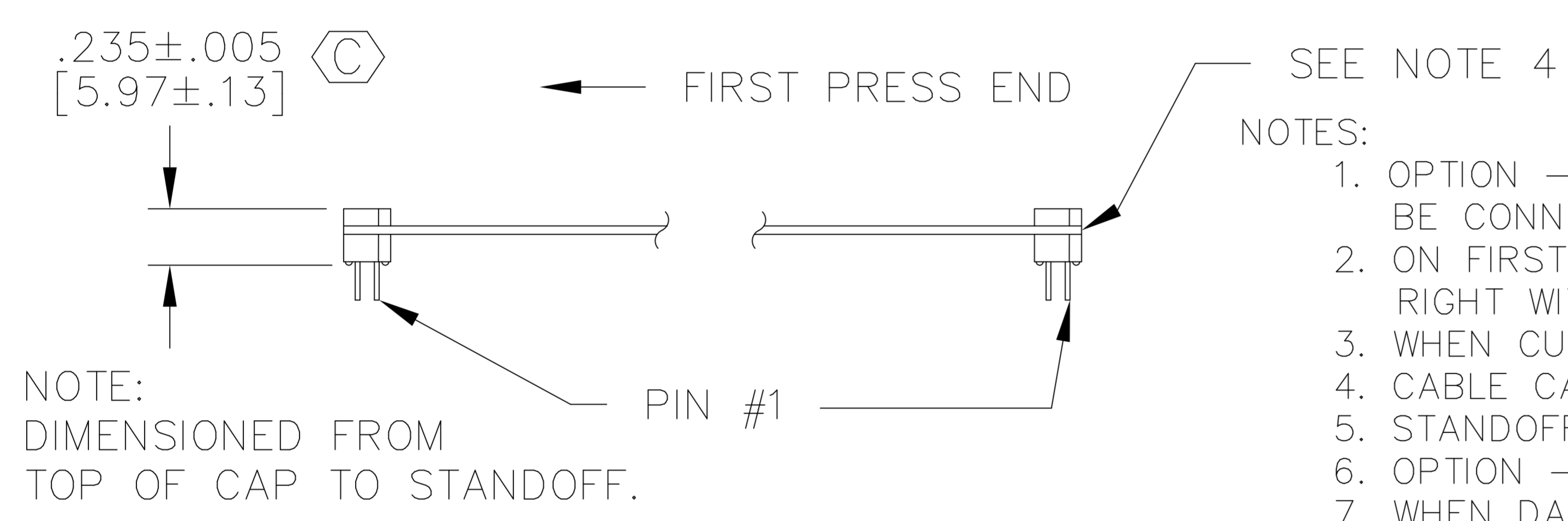
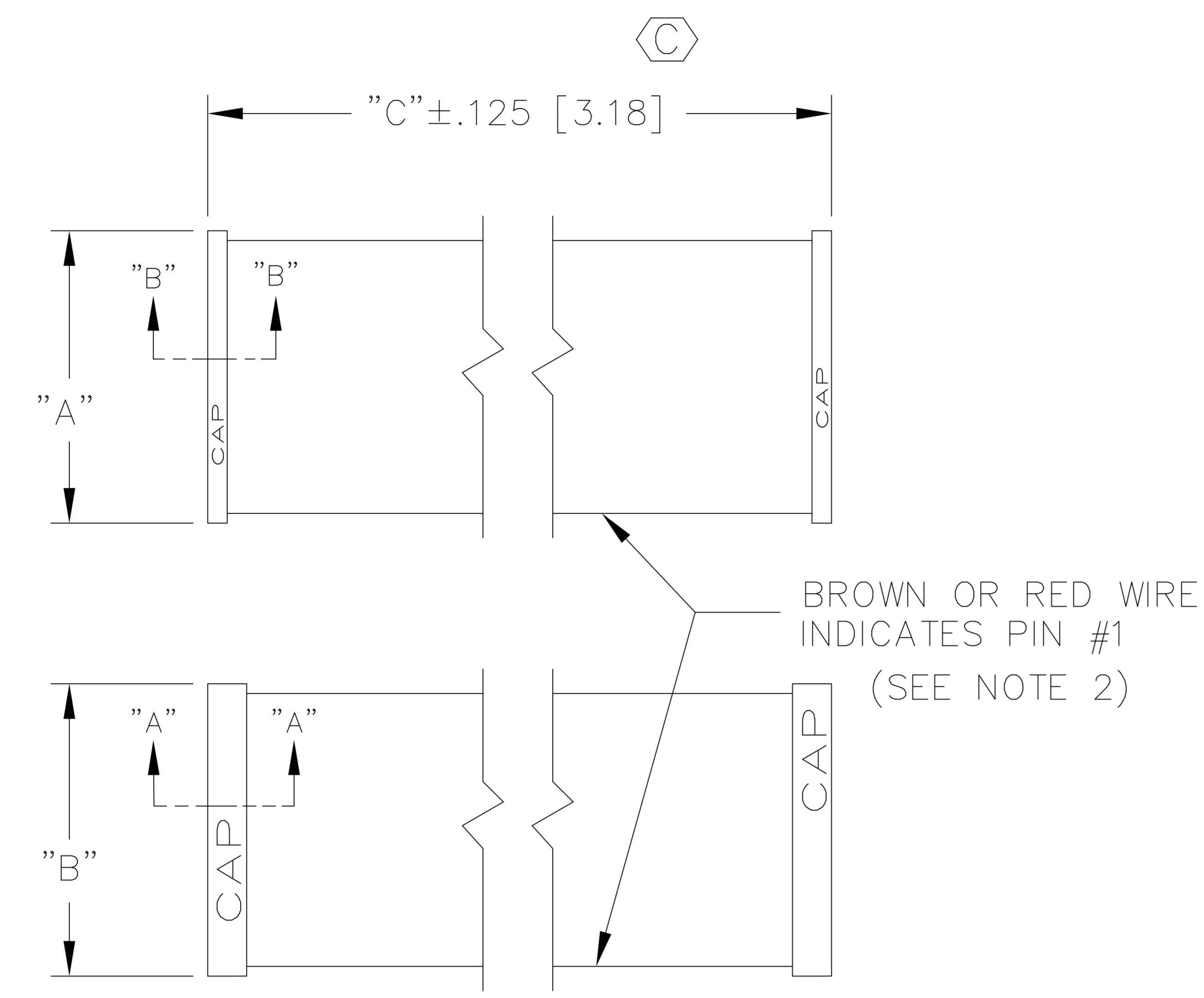


FIG 2

TAIL SPECIFICATION
 (SEE SECT. "A-A" & "B-B")
 I: D=.125 (T-1S7-01-X)
 E: D=.200 (T-1S7-02-X)

ROW SPECIFICATION
 -S: SINGLE
 -D: DOUBLE

NO. OF CONDUCTORS
 (-02 THRU -36 PER ROW)
 USE CABLE CB-XX-28-7/36-100-C (XDMS)
 USE CABLE CB-XX-28-7/36-050-C (XDMD)
 "A" ± .015 [.38] / .005 [.13] = "XX" x .100 [2.54] + .019 [.48] (-01 THRU -31)
 OR 3.210 [81.53] REF (-32)
 "B" ± .015 [.38] / .005 [.13] = "XX" x .100 [2.54] + .059 [1.50] (-01 THRU -31)
 OR 3.250 [82.55] REF (-32)
 (SEE NOTE 3)

* NOTE: STANDARD COLOR-CODED CABLE N/A FOR DOUBLE ROW 31 THRU 36 POSITION - SEE -G OPTION.

CONNECTOR SPECIFICATION

- S: (SINGLE) ONE XDM ASSEMBLY
- D: (DOUBLE) TWO XDM ASSEMBLIES- ONE ON EACH END
- T: (TRANSFER-IDMS) ONE XDMS & ONE IDS- ONE ON EACH END
- T: (TRANSFER-IDMD) ONE XDMD & ONE IDD- ONE ON EACH END

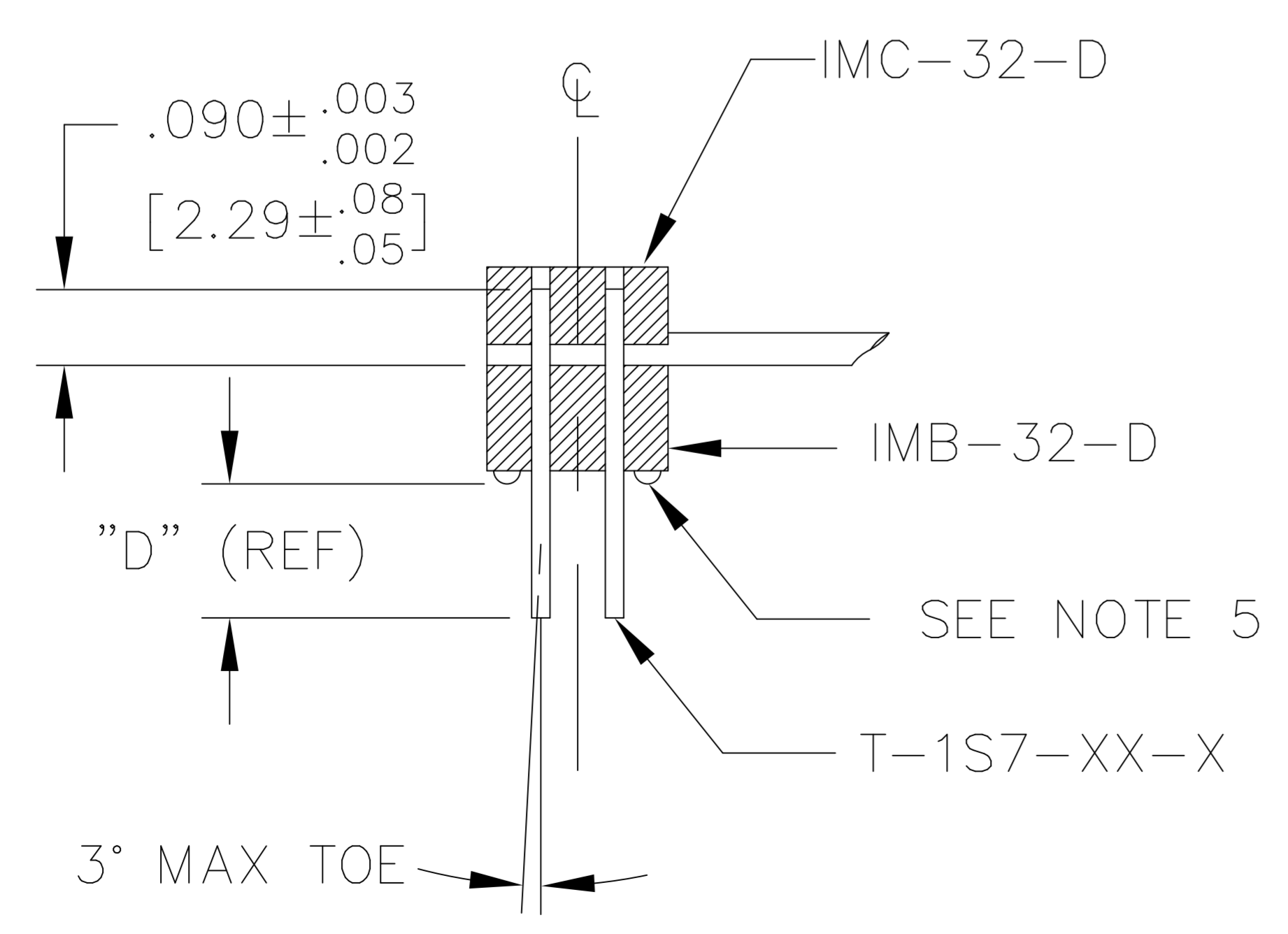
OPTION SPECIFICATION
SEE OPTIONS

OPTION SPECIFICATION
SEE OPTIONS

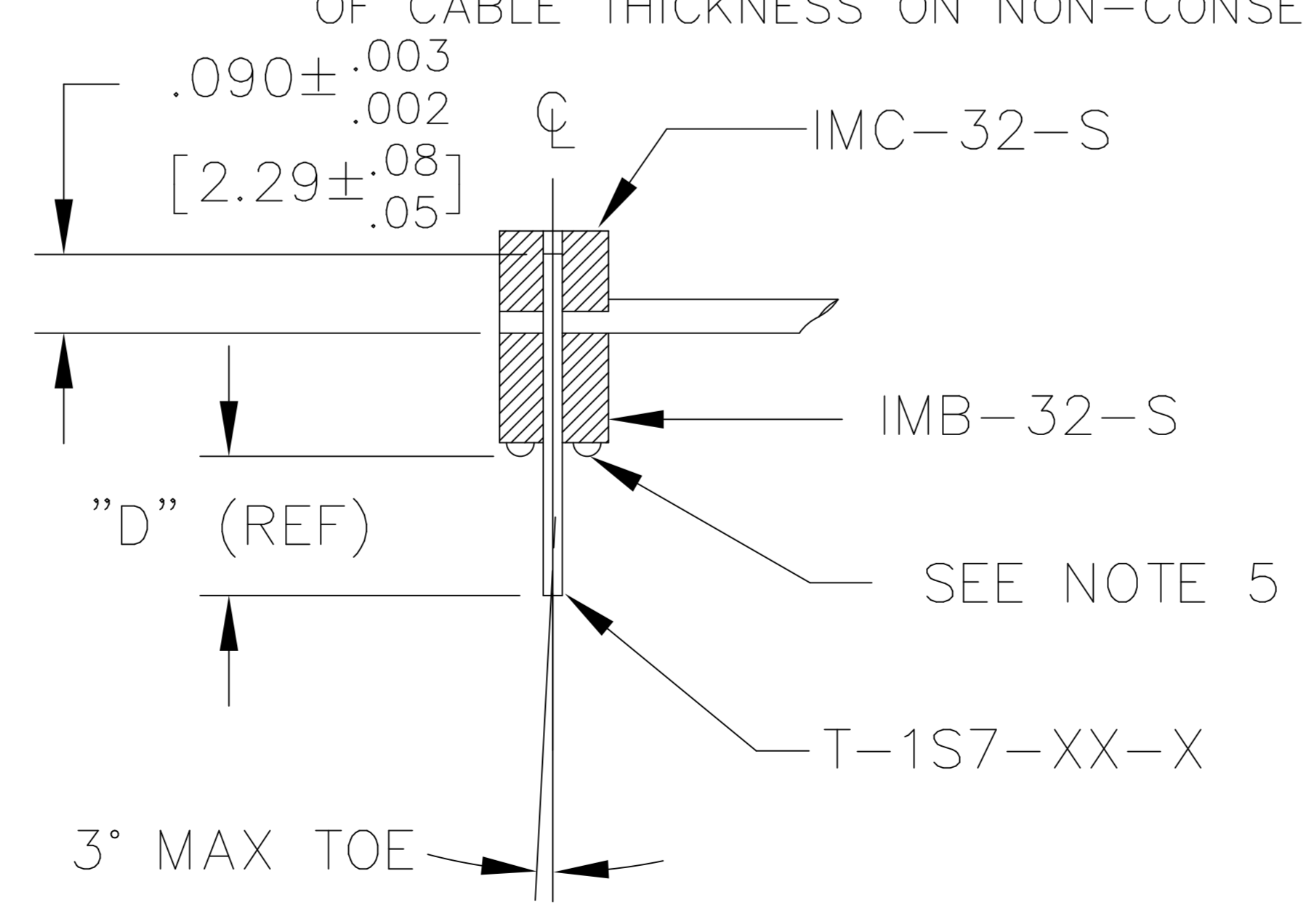
LENGTH OF CABLE
MEASURED IN INCHES
(SEE FIG. 1, "C" DIM.)

NOTES:

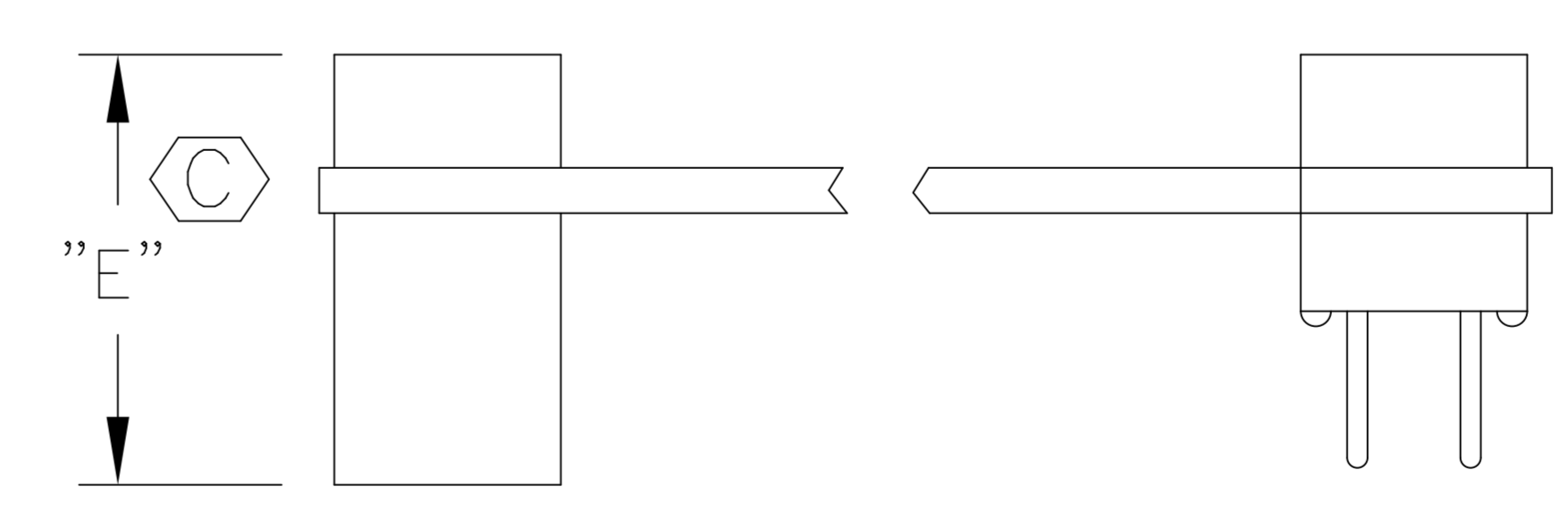
1. OPTION -SXX WHEN MATING DOUBLE ROW CONNECTOR WITH 2 SINGLE ROW CONNECTORS, THE OUTER MOST SINGLE WILL BE CONNECTED TO CONDUCTOR #1 AND THE INSIDE SINGLE TO CONDUCTOR #2.
2. ON FIRST CABLE INSERTION PRESS, THE BROWN WIRE (COLORED CABLE) OR THE RED WIRE (GRAY CABLE) IS POSITIONED TO THE RIGHT WITH THE "FAT END" OF THE BASE AND CAP.
3. WHEN CUTTING BASE AND CAPS TO POSITION, END WALLS ON CUT ENDS SHALL BE .010 [.25] MIN.
4. CABLE CAN BE RECESSED OR EXTENDED .010 [.25] MAX. FROM FLUSH
5. STANDOFFS ON BASE SHALL STAND .010 [.25] MIN. FROM SURFACE OF IMB-32-X.
6. OPTION -PXX: POLARIZING OPTION CAN ONLY BE USED ON IDX END OF -T (TRANSFER) OPTION.
7. WHEN DAISY CHAINING A TRANSFER END OPTION, ONLY THE FIRST CONNECTOR IS MALE; THE REMAINING CONNECTORS ARE FEMALE.
8. A CHAMFER ON THE END OF THE CAP IS GUARANTEED ON FINAL ASSEMBLIES THAT ARE AT LEAST 18 POSITIONS FOR MALE AND FEMALE TERMINATION.
9. ALL ASSEMBLIES TO BE 100% ELECTRICALLY TESTED FOR SHORTS AND OPENS.
10. ALL ASSEMBLIES TO BE 100% HI-POT TESTED AT 1000V.
11. CONTACT NOT TO BE VISIBLE THROUGH THE END WALL OF IMC-32-X CAP.
12. REFERENCE XMD-XX-X (AND IDX-XX-X-PXX FOR -T OPTION) FOR CUT DIMENSIONS.
13. WHEN CUTTING CABLE TO LENGTH, CONDUCTORS SHOULD NOT EXTEND PAST THE CABLE INSULATION, EXTENDING LESS THAN 25% OF CABLE THICKNESS ON CONSECUTIVE AND LESS THAN 50% OF CABLE THICKNESS ON NON-CONSECUTIVE STRANDS IS CONSIDERED A PROCESS INDICATOR.



SECT. "A-A"
(XDMD ASSEMBLY)
(REFER TO XMD-XX-X ASSEMBLY)



SECT. "B-B"
(XDMS ASSEMBLY)
(REFER TO XMS-XX-X ASSEMBLY)



(XDMX ASSEMBLY)
-T CONNECTOR SPECIFICATION
FIG 3

POSITION	"E"
2,3,4	.360 ± .005 / .000 [9.14 ± .13]
5 AND UP	.365 ± .010 / .005 [9.27 ± .25]

RIBS OF GRAY CABLE GO TO CAPS SIDE EXCEPT ON REVERSE ASSEMBLIES.

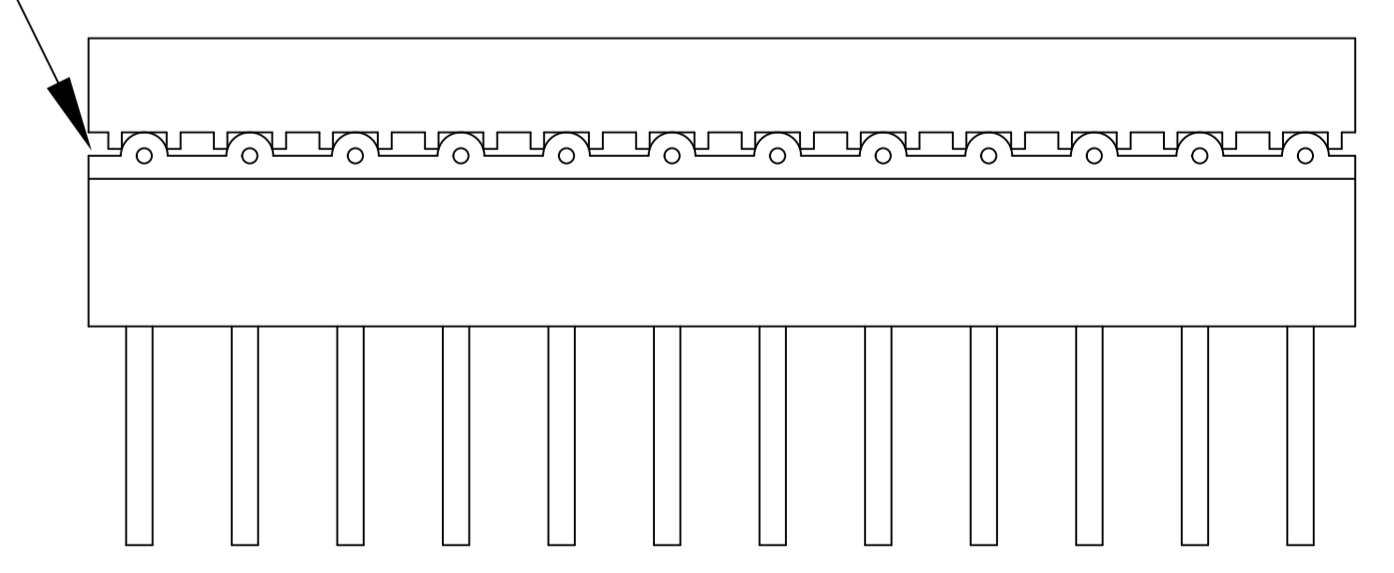


FIG 1

PROPRIETARY NOTE
 THIS DOCUMENT CONTAINS INFORMATION CONFIDENTIAL AND PROPRIETARY TO SAMTEC INC. AND SHALL NOT BE REPRODUCED OR TRANSFERRED TO OTHER DOCUMENTS OR DISCLOSED TO OTHERS OR USED FOR ANY PURPOSE OTHER THAN THAT FOR WHICH IT WAS OBTAINED WITHOUT THE EXPRESSED WRITTEN CONSENT OF SAMTEC INC.



520 PARK EAST BLVD. NEW ALBANY, INDIANA 47150
 PHONE (812) 944-6733 P.O. BOX 1147
 CODE 55322

MADE BY: JORDAN 12-30-87

XDMX-XX-X-XX-XXX-XXX
SHEET 1 OF 2