



Description

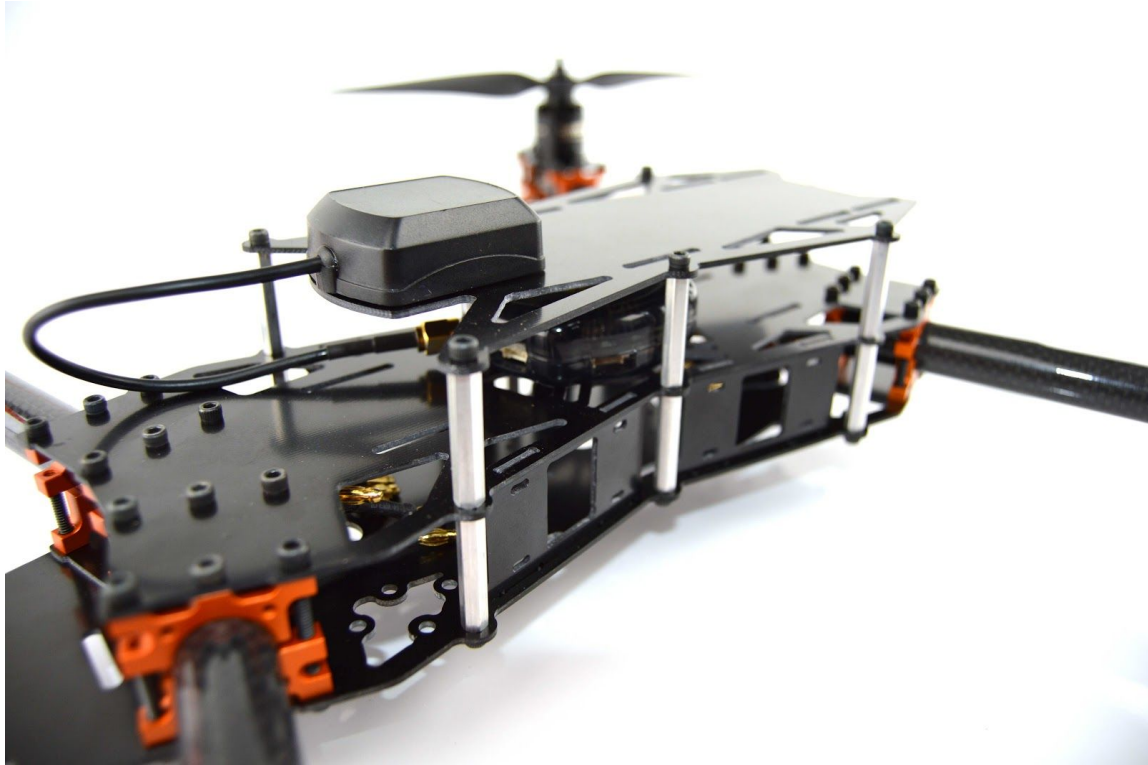
- HQuad500 Frame and mounting hardware
- Includes brushless motors, speed controller and propellers
- "Plug and play" for easy solder-less assembly
- Includes the [Lynxmotion Quadrino Nano Drone/UAV Flight Controller \(with GPS\)](#) (MultiWii Compatible)
- Requires battery, charger and remote (TX/RX)

The Lynxmotion HQuad500 Drone (Base Combo Kit + Quadrino Nano Controller) is a 500mm quadcopter built using the new Lynxmotion M.E.S. (MultiRotor Erector Set) system. The design uses our new aluminum clamps along with 16mm carbon fiber tubes. This combination of parts allows the frame to be:

- Incredibly rigid (minimal flexing)
- Versatile (Integrated mounting for upgrades)
- Lightweight (use of composites and Aluminum)
- Modular (change the frame / use different length tubes)



We equipped the HQuad500 with a camera plate up front which is removable. Different plates will be available as well as a stabilized gimbal system. The flight controller mounting is located at the "dead center" of the frame with slots accommodating 30.5mm to 45mm mounting. The frame is compatible with the Lynxmotion Quadrino Nano Flight Controller with a section designed for the GPS antenna and access to the underside ports. There are integrated mounting plates for the ESCs which allow for easy access.



Lynxmotion Quadrino Nano

The [Lynxmotion Quadrino Nano Drone/UAV Flight Controller \(with GPS\)](#) was created as a collaboration between FlyingEinstein and the Lynxmotion team. ([see press release](#)) It was designed to be one of the smallest possible flight controllers on the market, The board includes many additional features normally reserved to much more expensive flight controllers. The Quadrino is the only MultiWii controller with the easy to use Firmware Config software eliminating the need for the Arduino Development Environment. This easy wizard-like application will lead you through the entire process while providing lots of documentation on the various options and parameters you have available. When you are done selecting your options this tool will build and upload your custom firmware directly to your Quadrino board. It will also install the MultiWiiConf config GUI for you.



Features:

- ATmega2560, Arduino Compatible Microcontroller
- Very small size: 53x53mm (in case)
- Integrated Sensors (Gyroscope / Accelerometer / Magnetometer / Barometer)
- Built-in GPS Module with External Antenna
- Easy Connection for Motor Controller and Radio System
- Semi-transparent case to view LED status
- MultiWii software compatible
- Expansion ports for experimentation (I2C, UART, GPIO)



Specifications

- G10 plates / panels
- Carbon fiber tubes
- Aluminum brackets and standoffs
- Motor to Motor: 500mm (492.29mm)
- Propellers: 8" to 10"
- Front Arm Angle: 150° (149.05°)
- Assembled Weight: 383g (frame only)



- Flight Controller Mount: Flat surface as well as 30.5mm to 45mm slots (direct compatible with the Quadriano Nano)
- Mounting holes on the lower frame for use with a Lynxmotion pan/tilt and/or gripper

What's Included

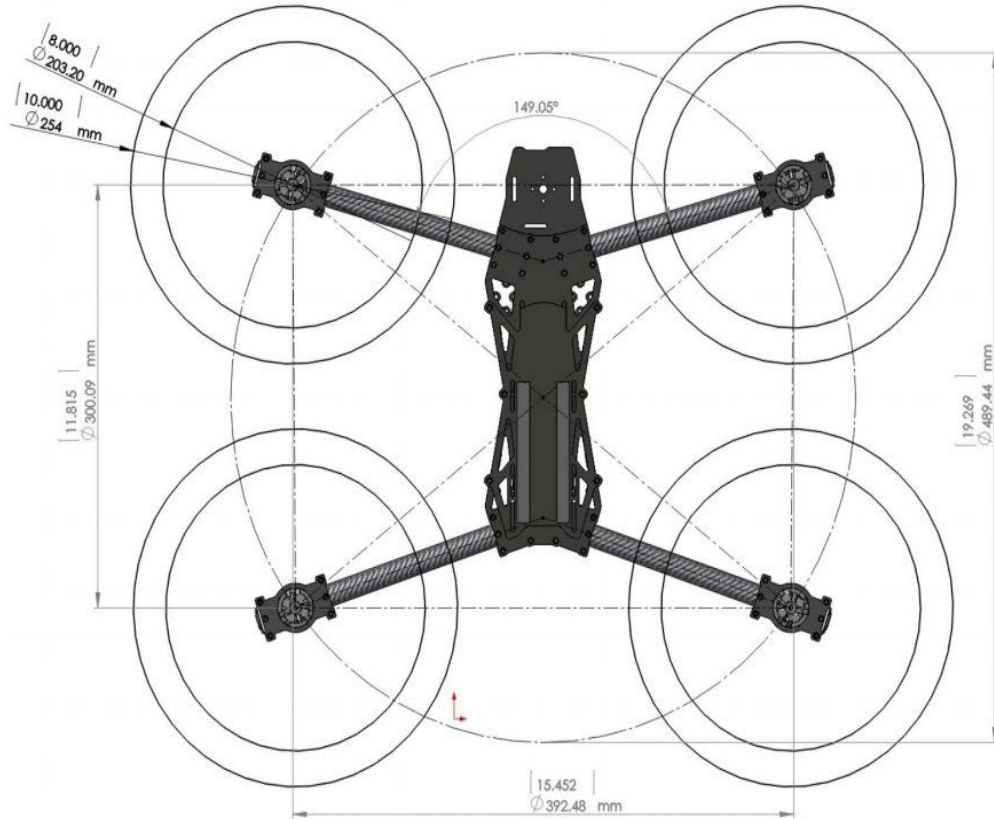
- HQuad500 (Base Combo Kit):
 - 1x [HQuad500 Hardware Only Kit](#)
 - All G10 (Fiberglass frame parts to build the HQuad500 frame)
 - Complete Hardware Bag
 - 8x [16mm Aluminum Clamps \(2 per pack\)](#)
 - 2x [Lynxmotion battery strap](#)
 - 4x [Carbon Fiber tube \(16x14x220mm\)](#)
- 4x [28x30mm - 1000kv Brushless motor](#)
- 4x [12A Electronic Speed Controller \(ESC\) w/ SimonK Firmware](#)
- 1x [9" x 4.5" Black Multi-Rotor CCW Propeller Pair](#)
- 1x [9" x 4.5" Black Multi-Rotor CW Propeller Pair](#)
- 1x [9" x 4.5" Orange Multi-Rotor CCW Propeller Pair](#)
- 1x [9" x 4.5" Orange Multi-Rotor CW Propeller Pair](#)
- 1x [Power Wiring Harness](#)
- 1x [Receiver to Flight Controller Wiring Harness](#)
- 1x [Lynxmotion Quadriano Nano Drone/UAV Flight Controller \(with GPS\)](#)

Requires (sold separately)

- Battery: 11.1V (3S), 20C (min) 2500mAh (min) ([11.1v 3500mAh 30C Suggested](#))
- 5 channel (or more) remote control ([UAV & Drone Remote Control](#))



Dimensions



Multimedia

https://www.youtube.com/watch?v=j0xMEoPd520&feature=emb_title