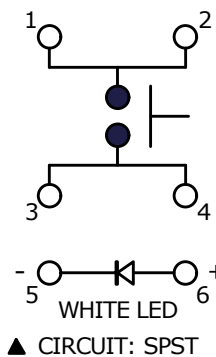
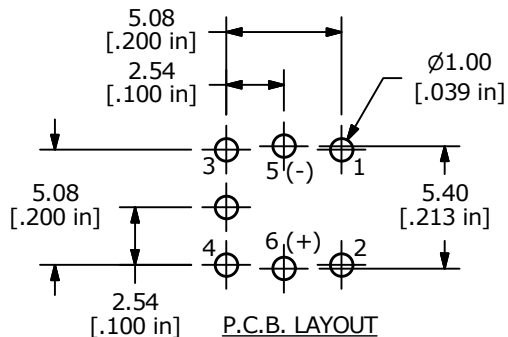
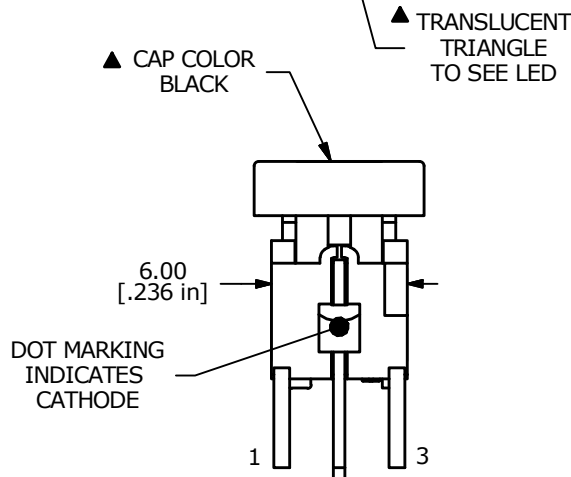
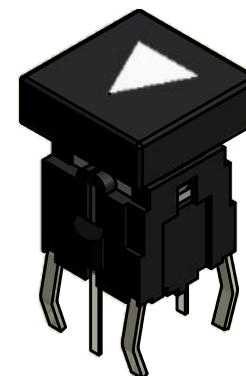
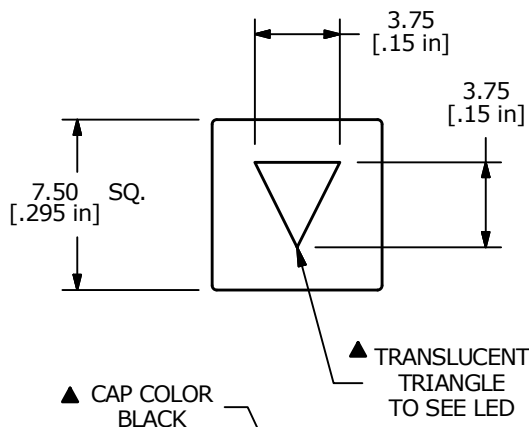


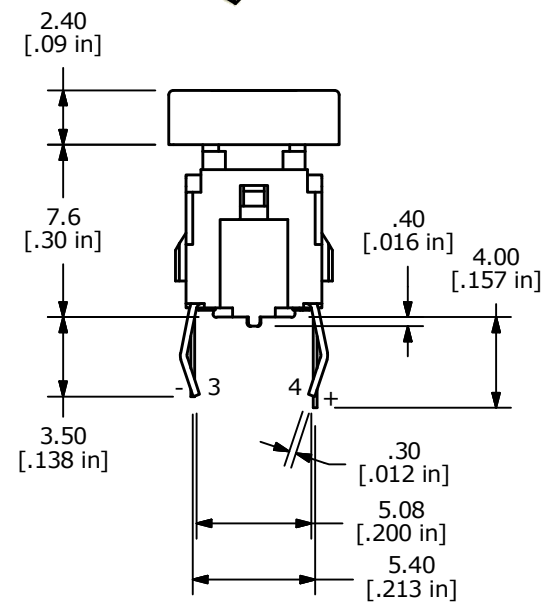
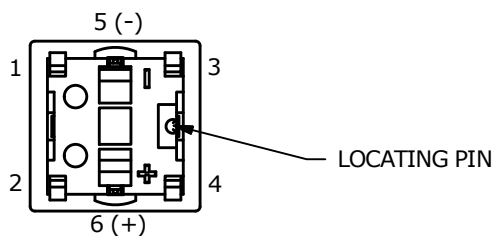
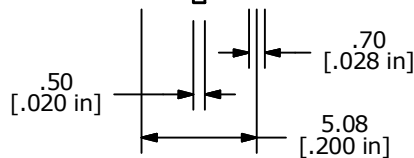
▲ LED SPECS	UNITS	WHITE
FORWARD CURRENT	mA	20
FORWARD VOLTAGE @ 20mA	V	3.2 typ.-4.0 max.
LUMINOUS INTENSITY @ 20mA	mcd	250 typ.



- NOTES:
1. ALL DIMENSIONS IN MM [INCH]
  2. GENERAL TOLERANCE: X.X = ±0.4  
X.XX = ±0.25
  3. RATING: 12VDC @ 50mA
  4. CONTACT RESISTANCE: 100 Milli-OHMS MAX.
  5. INSULATION RESISTANCE: 100 Mega-OHMS MIN.
  - ▲ 6. OPERATING FORCE: 180± 50gf
  7. TRAVEL: 0.2± 0.1mm
  8. OPERATING TEMPERATURE: -40°C TO 85°C
  9. OPERATING LIFE: 500,000 CYCLES
  - ▲ 10. LED: WHITE
  11. ▲ DENOTES CRITICAL PARAMETERS
  12. 2002/95/EC (ROHS) COMPLIANT
  13. PARTS TO BE PACKAGE 100 PARTS PER TRAY.



DOT MARKING INDICATES CATHODE



REV	PCR NO	DESCRIPTION	DATE	BY
C	22281	UPDATE DRAWING	5/18/15	MW
B	19930	CHANGE ORIENTATION OF SYMBOL	5/9/11	BGL
A	19903	Release for Production	5/4/11	BMA



TITLE TL1220S1NNBW-TRI				
SCALE 3:1	DATE 5/4/2011	DR BMA	DWG B260014	REV C

THE INFORMATION CONTAINED IN THIS DOCUMENT IS PROPRIETARY TO E-SWITCH AND IS NOT TO BE COPIED OR TRANSFERRED