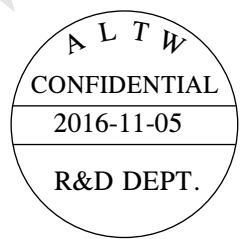
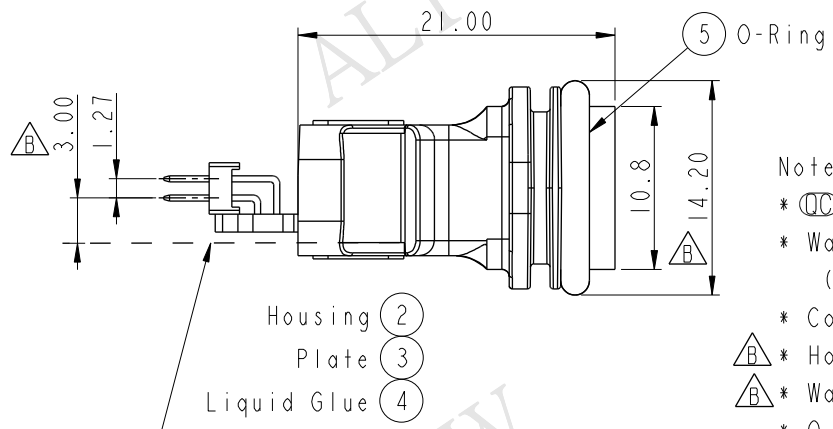
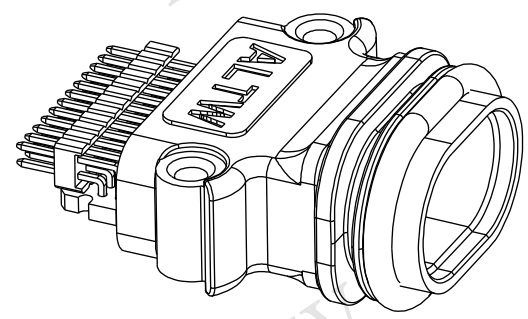
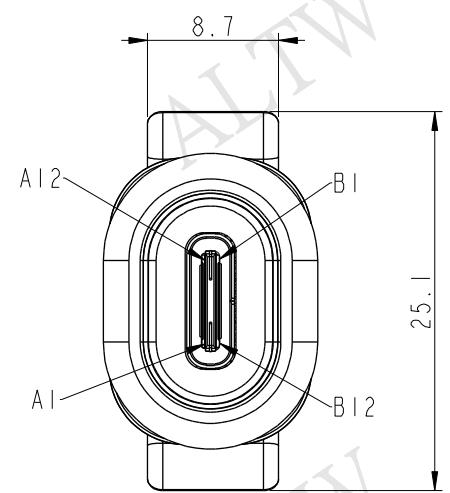
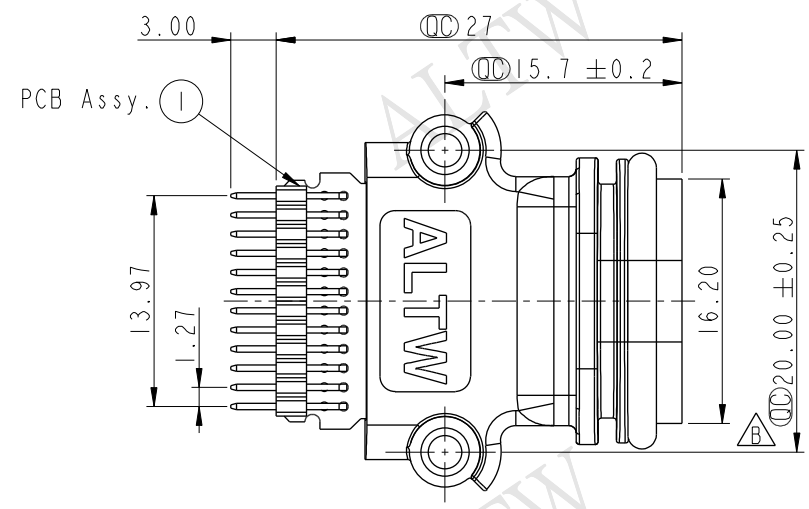
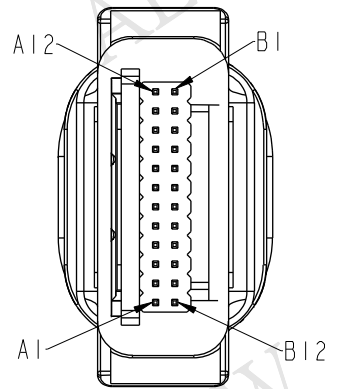


REV.	ECN NO.	DATE	SIGN	DESCRIPTION
A	Initial release	2016/05/10	Doreen	New ITEM.
B	LE316B0101	2016/10/21	Cheng	Change Note, Change Dimensions



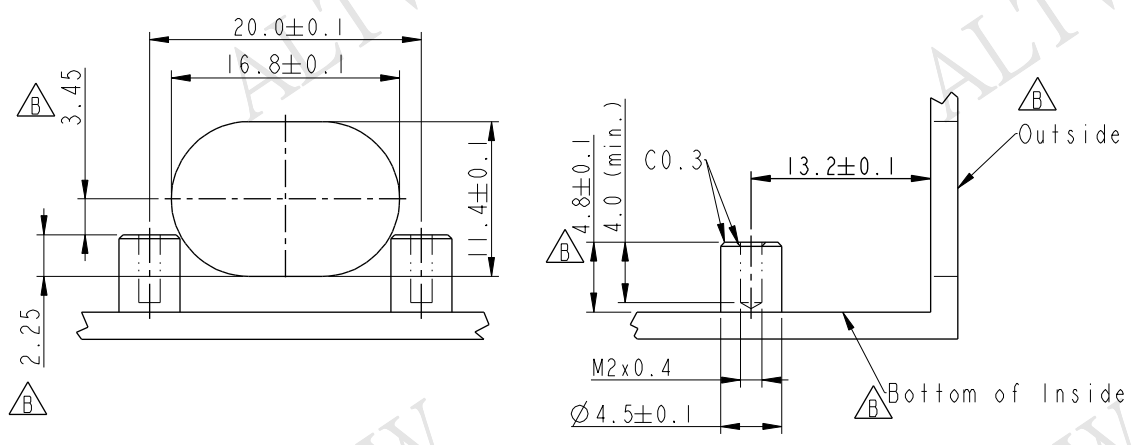
- Note:
- * \varnothing Important Dimension
 - * Waterproof Rate: IP68(Unmated)
(Under water 1M, 24H)
 - * Connector: USB Type C Female
 - * $\triangle B$ Housing: Nylon+25%GF, UL94 V-0, F1, Black
 - * $\triangle B$ Wafer: 24Pin Header, Dual Row, Pitch=1.27mm
 - * O-Ring: Silicone, Gray
 - * Panel Thickness max: 4.0mm
 - * All Parts Are RoHS Compliant

$\triangle B$ Surface of Screw Post

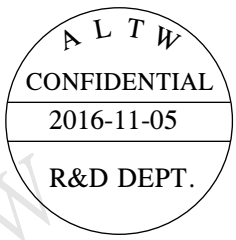
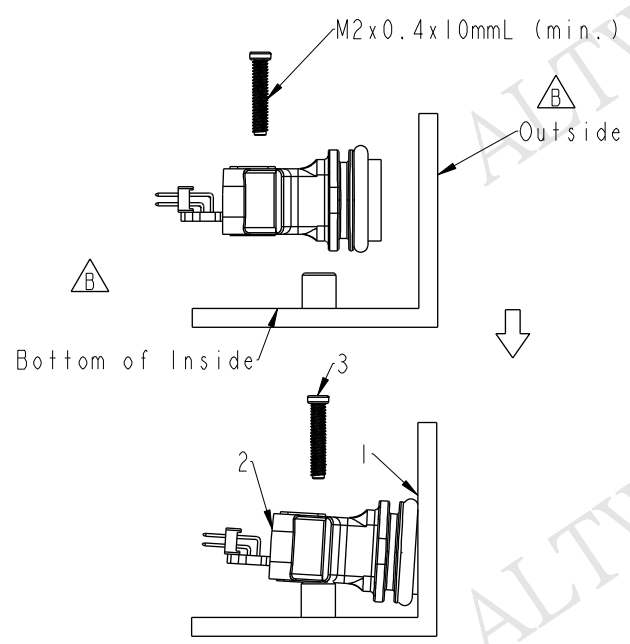
UNIT: mm		TITLE		Amphenol LTW		ITEM NO	DRAWN BY	DATE
		USB 3.1 TYPE C JACK		安費諾亮泰企業股份有限公司		UC-31PFFP-QS8001	Cheng	2016/10/21
		SCALE	SIZE	SHEET	OF	DWG NO	CHECKED BY	DATE
TOLERANCE		2:1	A4	1	2	UC-31PFFP-QS8001	Jush	2016/10/21
.X	±0.25	REV.	WC-REV.	\varnothing : Inspection item		CUSTOMER	APPROVED BY	DATE
.XX	±0.1	B	A.28			ALTW	Max	2016/10/21
.XXX	±0.05							8
ANGLES	±1°							FW10702-01-02A1

THIS DOCUMENT IS SUBJECT TO CHANGE WITHOUT NOTICE. IT IS CONFIDENTIAL AND A PROPERTY OF Amphenol LTW. DISCLOSURE TO THIRD PARTY HAS TO BE AUTHORIZED BY Amphenol LTW.

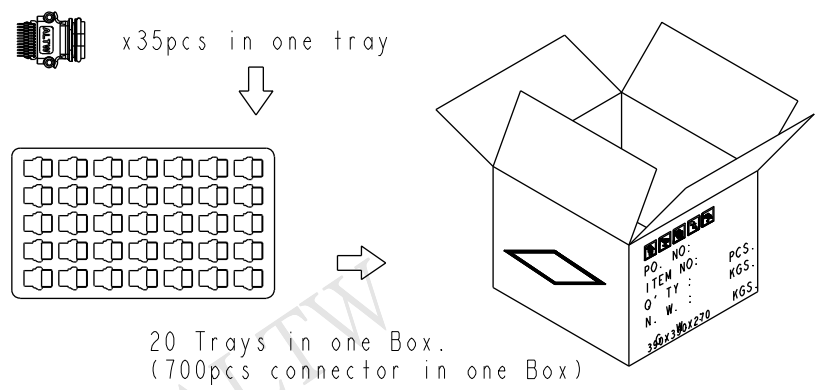
Recommended Panel Cut-Out



Installation.

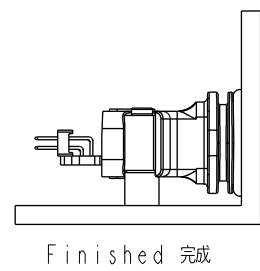


Packing Instructions.



Step 1. Insert the connector into panel-cut by slanted angle.
 Step 2. The connector incline downward and engage to screw post.
 Step 3. Fastening the screws to fix the connector.

第一步：連接器以傾斜角度插入內孔
 第二步：將連接器斜往下壓，與螺絲軸孔卡合
 第三步：鎖上螺絲固定



UNIT: mm	
TOLERANCE	
.X	± 0.25
.XX	± 0.1
.XXX	± 0.05
ANGLES	$\pm 1^\circ$

TITLE USB USB 3.1 TYPE C JACK			
SCALE 2:1	SIZE A4	SHEET 2 OF 2	
REV. B	MC-REV. A.28	QC: Inspection item	

Amphenol LTW
 安費諾亮泰企業股份有限公司

ITEM NO. UC-31PFFP-QS8001	DRAWN BY Cheng	DATE 2016/10/21
DWG NO. UC-31PFFP-QS8001	CHECKED BY Jush	DATE 2016/10/21
CUSTOMER ALTW	APPROVED BY Max	DATE 2016/10/21