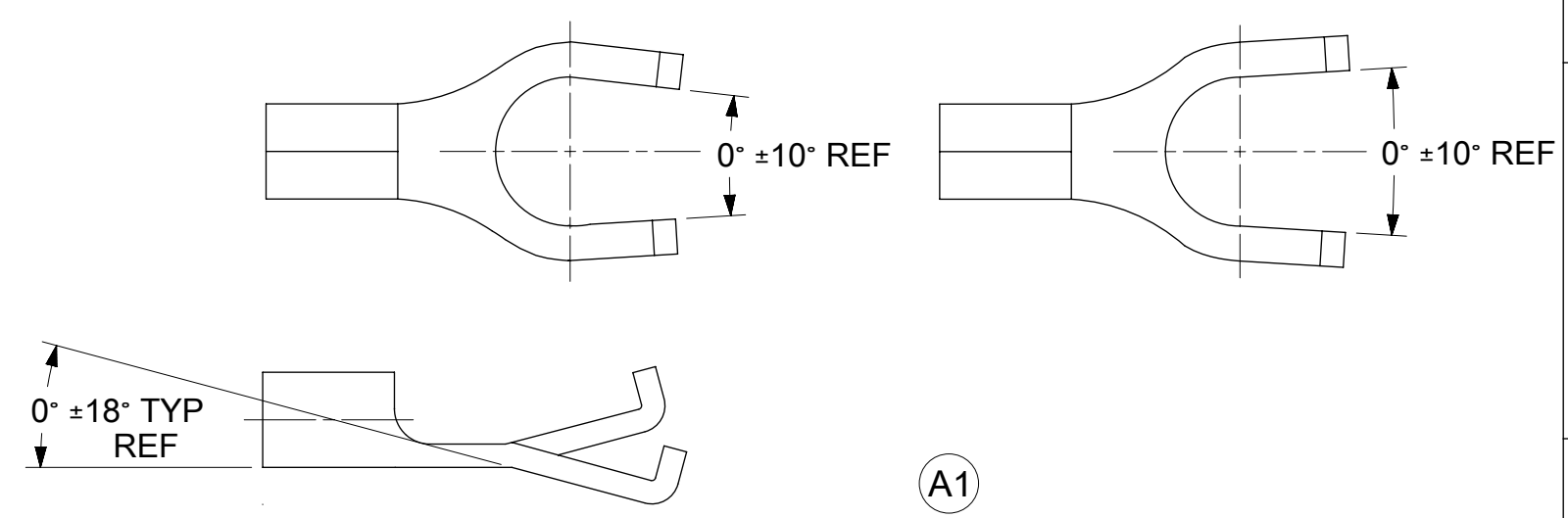
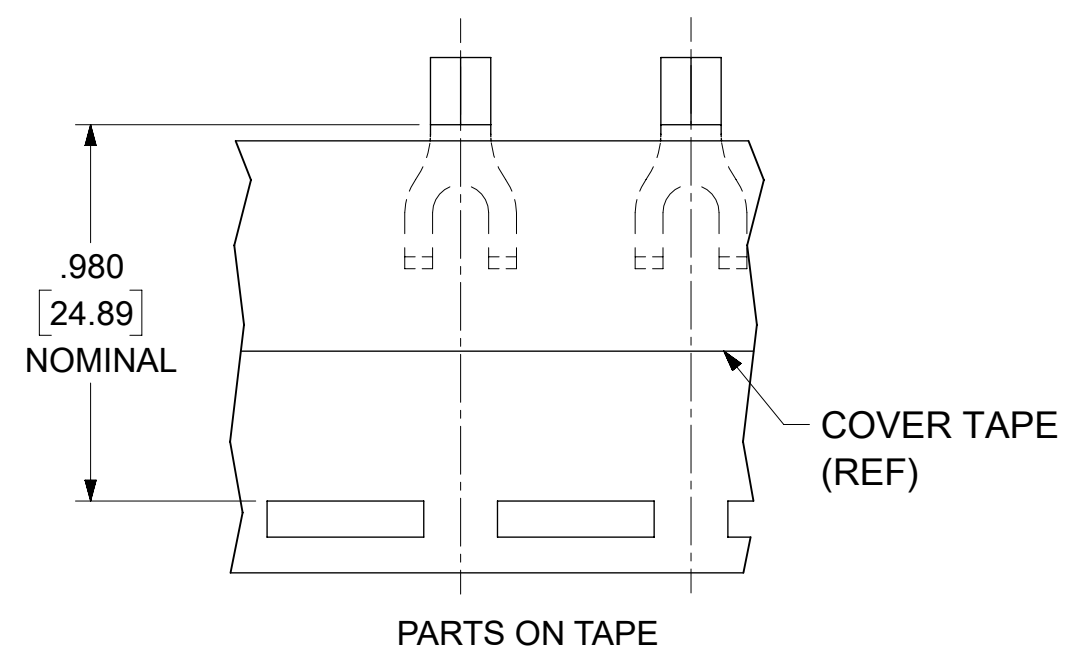
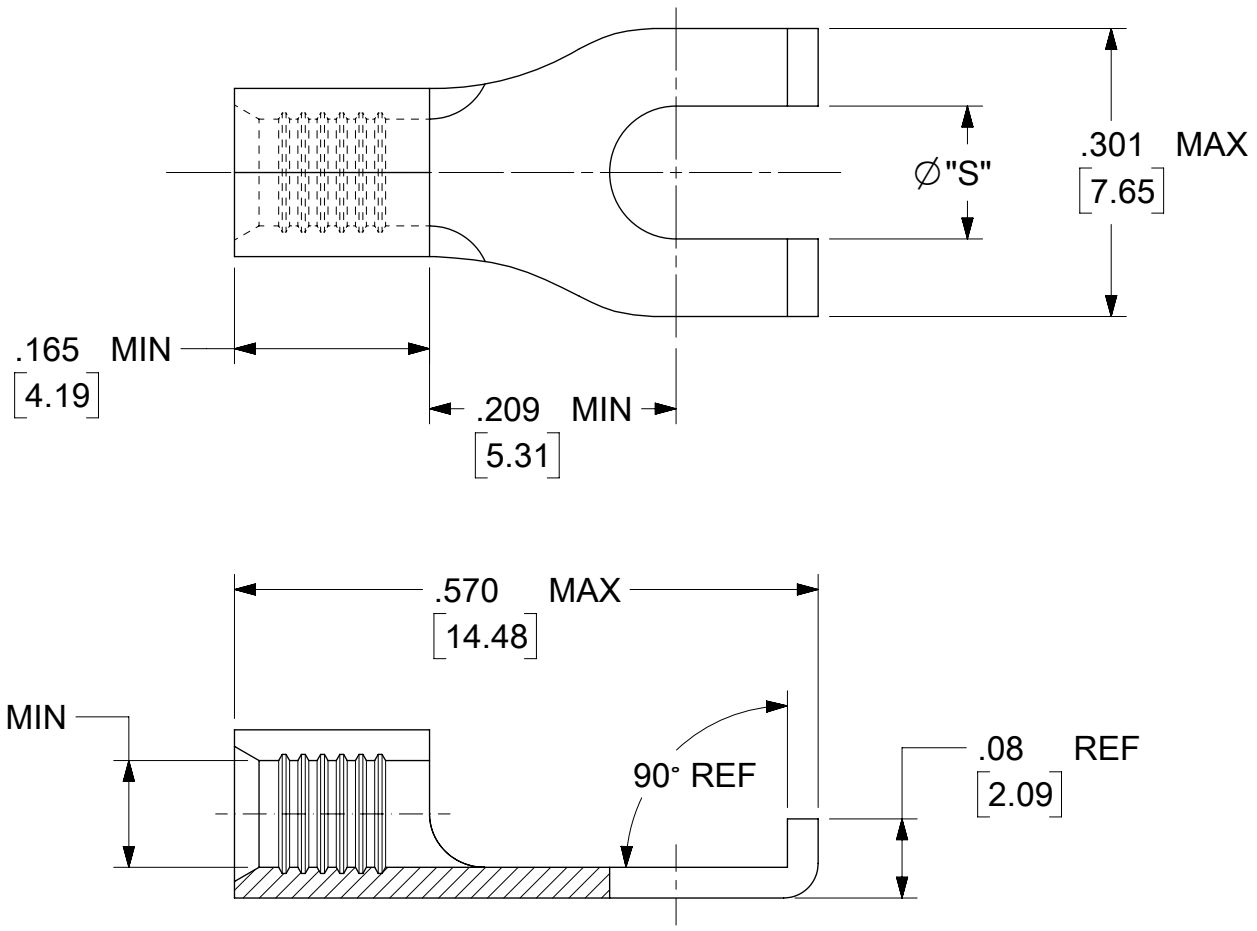


MAT'L NO.	ENG NO.	MAT'L NO. (TAPED)	ENG NO. (TAPED)	STUD SIZE	"S" ± .005 (0.13)
191180054	BB-116-06	191180055	BB-116-06T	6	.146(3.71)
191180056	BB-116-08	191180057	BB-116-08T	8	.173(4.39)
191180058	BB-116-10	191180059	BB-116-10T	10	.198(5.03)



ALLOWABLE BENDING OF PARTS.  
PARTS WILL FLATTEN OUT DURING INSTALLATION.

- NOTE(S):
1. MATERIAL: COPPER .031(0.79) THICK
  2. PLATING: ELECTRO-TIN
  3. PART IS RoHS COMPLIANT

THIS DRAWING CONTAINS INFORMATION THAT IS PROPRIETARY TO MOLEX ELECTRONIC TECHNOLOGIES, LLC AND SHOULD NOT BE USED WITHOUT WRITTEN PERMISSION									
FUNCTIONAL SYMBOLS	DIMENSION UNITS		SCALE		CURRENT REV DESC: ADD ALLOWABLE BENDING DETAIL VIEW W/ DIMS..				
$\nabla_A = 0$	INCH/MM		NTS		EC NO: 708739 DRWN: DMYRICK 2022/05/26 CHKD: JMACNEIL 2022/06/01 APPR: JMACNEIL 2022/06/01 INITIAL REVISION: DRWN: APPR:				
$\nabla_E = 0$	GENERAL TOLERANCES (UNLESS SPECIFIED)								
$\nabla_P = 0$			MM	INCH					
DIVISIONAL SYMBOLS	4 PLACES	±	±						
	3 PLACES	±	±	0.005					
	2 PLACES	±	±	0.13 ± 0.01					
	1 PLACE	±	±	0.25 ±					
	0 PLACES	±	±						
	ANGULAR TOL		±	°					
DRAFT WHERE APPLICABLE MUST REMAIN WITHIN DIMENSIONS			THIRD ANGLE PROJECTION		DRAWING	SERIES	MATERIAL NUMBER	CUSTOMER	SHEET NUMBER
					B-SIZE	19118		GENERAL MARKET	1 OF 1

**molex**

FLANGED SPADE TONGUE  
KRIMPTITE 16-14 AWG, SHORT BARREL

PRODUCT CUSTOMER DRAWING

DOCUMENT NUMBER: SD-19118-001  
DOC TYPE: PSD  
DOC PART: 001  
REVISION: 1 A1