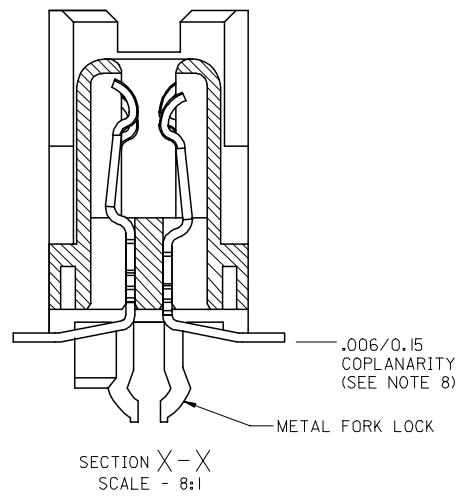
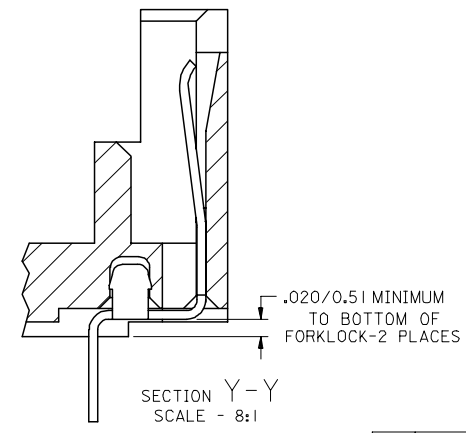
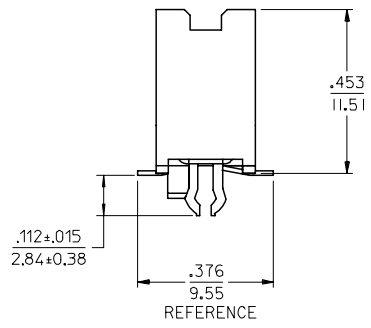
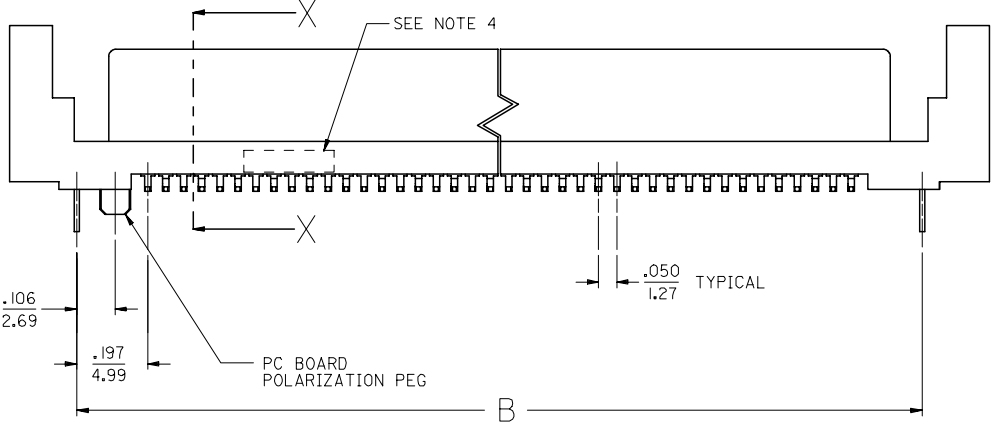
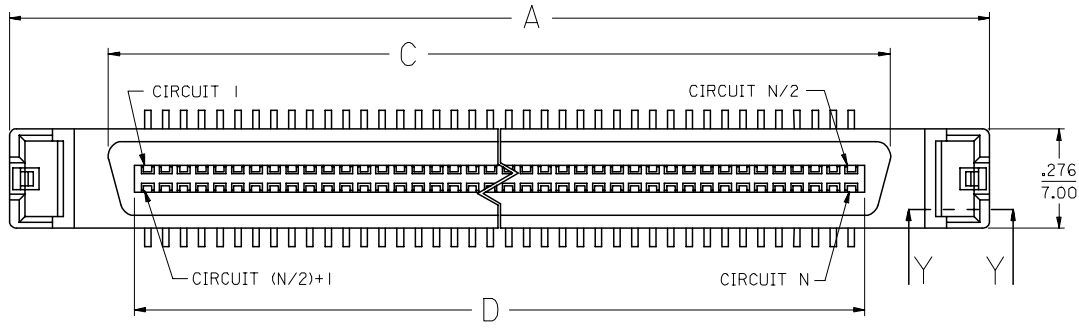


13 12 11 10 9 8 7 6 5 4 3 2 1

J
I
H
G
F
E
D
C
B
A

- NOTES:
1. MATERIAL:
HOUSING: 1.R. COMPATIBLE POLYMER, GLASS FILLED, UL 94 V 0, BLACK
TERMINALS: COPPER ALLOY
BOARDLOCK: COPPER ALLOY
 2. FINISH:
TERMINALS: 30 MICROINCHES / 0.76 MICROMETERS GOLD IN CONTACT AREA
100 MICROINCHES/ 2.54 MICROMETERS TIN IN TAIL AREA
NICKEL UNDERPLATE OVERALL.
ESD BOARDLOCK: TIN OVER NICKEL OVERALL.
 3. PRODUCT SPECIFICATION: PS-73826-0000
 4. FOUR DIGIT DATE CODE IN THIS LOCATION (WK YR).
 5. CONTACT GAP WILL ACCOMMODATE MATING CONNECTOR OF:
.063+/-0.003 / 1.60+/-0.08
 6. PACKAGE PER SPECIFICATION PK-70873-5025.
 7. CIRCUIT NUMBERS 1,36 THRU 43, 45, 46, AND 75 THRU 80,
ARE ADVANCED (LONG) TERMINALS FOR SEQUENTIAL MATING.
 8. COPLANARITY TO BE MEASURED USING FIXTURE # 71743-9001 OR EQUIVALENT.
MEASUREMENT TO BE TAKEN AT 50X MAGNIFICATION.
COPLANARITY IS THE DISTANCE BETWEEN THE SEATING PLANE AND THE LOWEST
POINT ON THE SMT TAIL THAT IS FARTHEST AWAY FROM THE SEATING PLANE.
FIXTURING TO BE SUCH THAT ALL TAILS ARE OVER THE SEATING PLANE.



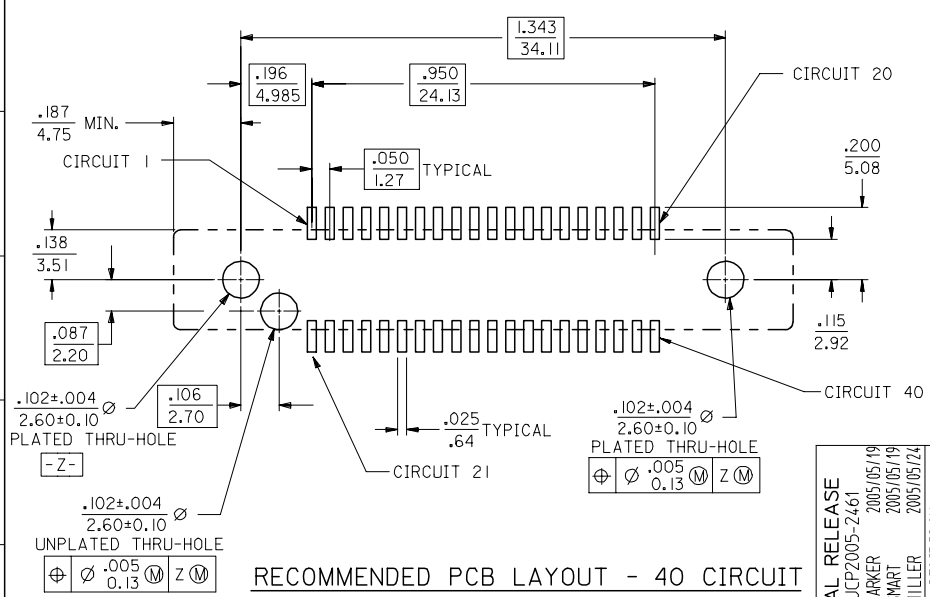
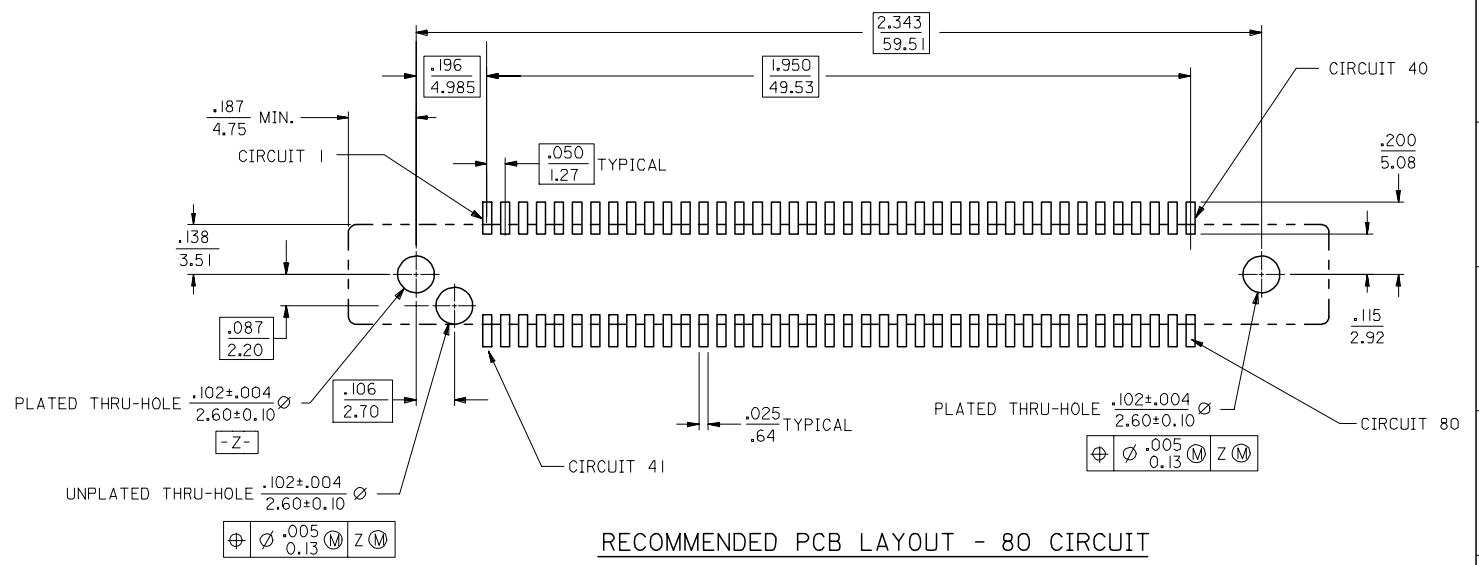
| | | | | | | | |
|--|--|---|---|--------------|--------------------------|------------------------|--|
| INITIAL RELEASE FC NO: UCP2005-2461 DRAWN BY: DRWNBARKER 2005/05/19 CHECKED BY: CHKDBSMART 2005/05/19 APPR: SMILLER 2005/05/24 REV: A | QUALITY SYMBOLS | GENERAL TOLERANCES (UNLESS SPECIFIED) | DIMENSION STYLE IN/MM | SCALE 1:1 | DESIGN UNITS INCH | THIRD ANGLE PROJECTION | |
| | $\nabla=0$ $\nabla=0$ | mm INCH 4 PLACES ± --- ± --- 3 PLACES ± --- ± .005 2 PLACES ± 0.13 ± .010 1 PLACE ± 0.25 ± --- ANGULAR ±1/2° | DRAWN BY: BBARKER DATE: 05/04/25 CHECKED BY: BSMART DATE: 05/04/25 APPROVED BY: SMILLER DATE: 05/04/25 | TITLE | SALES DRAWING - ASSEMBLY | | |
| | DRAFT WHERE APPLICABLE MUST REMAIN WITHIN DIMENSIONS | SEE CHART | MATERIAL NO. | DOCUMENT NO. | SHEET NO. 1 OF 2 | | |
| | | | THIS DRAWING CONTAINS INFORMATION THAT IS PROPRIETARY TO MOLEX INCORPORATED AND SHOULD NOT BE USED WITHOUT WRITTEN PERMISSION | | | | |
| | | | | | | | |

| | |
|---|---|
| 2 | A |
| 1 | A |

| | | | |
|--------------|--|--------------------------|--|
| TITLE | | SALES DRAWING - ASSEMBLY | |
| | | EBBI VERTICAL RECEPTACLE | |
| | | SMT SCA-2 CONNECTOR | |
| MATERIAL NO. | | DOCUMENT NO. | |
| SEE CHART | | SD-71743-005 | |
| MATERIAL NO. | | DOCUMENT NO. | |
| | | SHEET NO. 1 OF 2 | |

12 11 10 9 8 7 6 5 4 3 2 1

| | | | | | | | | | | | | |
|-----------------|----|--------------|-------------|-------------|-------------|-------------|---|---|---|---|---|---|
| 13 | 12 | 11 | 10 | 9 | 8 | 7 | 6 | 5 | 4 | 3 | 2 | 1 |
| MATERIAL NUMBER | | CIRCUIT SIZE | DIMENSION A | DIMENSION B | DIMENSION C | DIMENSION D | ADVANCED TERMINALS / CIRCUITS (SECTION Z-Z, SHEET 1) | | | | | |
| 71743-4180 | | 80 | 2.717/69.01 | 2.343/59.51 | 2.168/55.07 | 2.025/51.44 | 1, 36, 37, 38, 39, 40, 41, 42, 43, 45, 46, 75, 76, 77, 78, 79, 80 | | | | | |
| 71743-4140 | | 40 | 1.717/43.61 | 1.343/34.11 | 1.168/29.67 | 1.025/26.04 | 21, 22, 23, 26, 29, 32, 35, 36, 37, 38, 39, 40 | | | | | |



| | | | | | | | | | |
|---|---------------------|--|--------|-----------------|----------|---|--------------|------------------------|--|
| INITIAL RELEASE FC NO: UCP2005-2461 DRAWN BY: BBARKER 2005/05/19 CHECKED BY: CHKDHSBART 2005/05/19 APPR: SMILLER 2005/05/24 REV: A | QUALITY SYMBOLS | GENERAL TOLERANCES (UNLESS SPECIFIED) | | DIMENSION STYLE | | SCALE | DESIGN UNITS | THIRD ANGLE PROJECTION | |
| | | | | IN/MM | | 4:1 | INCH | | |
| | | 4 PLACES ± --- | ± --- | DRAWN BY | DATE | TITLE SALES DRAWING - ASSEMBLY EBBI VERTICAL RECEPTACLE SMT SCA-2 CONNECTOR | | | |
| | | 3 PLACES ± --- | ± .010 | BBARKER | 05/04/25 | | | | |
| | | 2 PLACES ± 0.25 | ± --- | CHECKED BY | DATE | MATERIAL NO. MOLEX INCORPORATED | | | |
| | | 1 PLACE ± --- | ± --- | BSMART | 05/04/25 | | | | |
| | | ANGULAR ±1/2° | | APPROVED BY | DATE | DOCUMENT NO. | | SHEET NO. | |
| | | | | SMILLER | 05/04/25 | SD-71743-005 | | 2 OF 2 | |
| | | DRAFT WHERE APPLICABLE MUST REMAIN WITHIN DIMENSIONS | | SEE CHART | | THIS DRAWING CONTAINS INFORMATION THAT IS PROPRIETARY TO MOLEX INCORPORATED AND SHOULD NOT BE USED WITHOUT WRITTEN PERMISSION | | | |