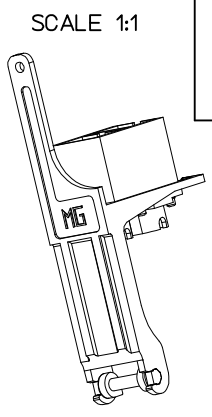
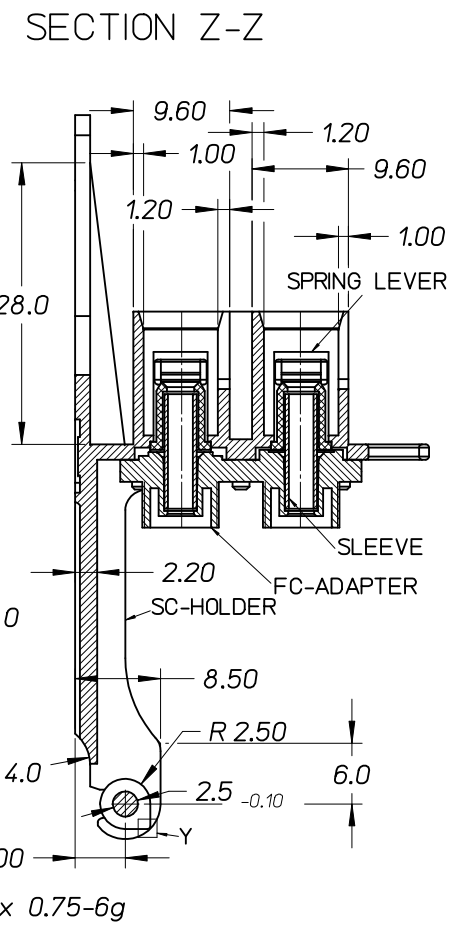
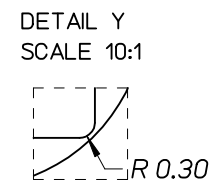
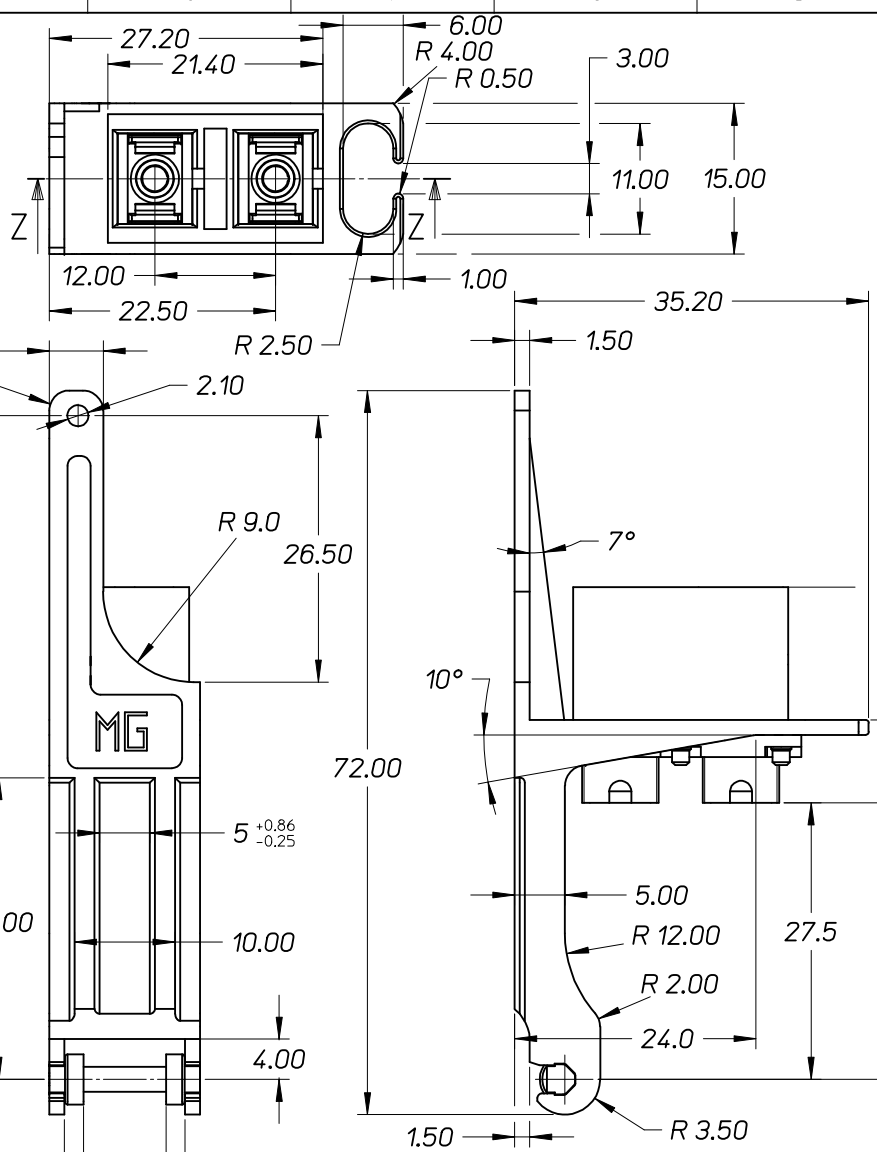


PART NO. 85337-0002
 DWG. NO. SD-85337-006



- NOTES:
- 1- MATERIAL POLYESTER
COLOR: BLACK RAL 9011
 - 2- PART TO BE 94V0 APPROVED BY UL
 - 3- PRODUCT SPECIFICATION: PS-85337-015
 - 4- PACKAGING SPECIFICATION: PK-85337-016

EC NO. MG1999-0321 DRWN: fhermann CHK: mfasold APPR: floordron	QUALITY SYMBOLS MAJOR CRITICAL	GENERAL TOLERANCES: (UNLESS SPECIFIED)		SCALE 2:1	DESIGN UNITS <input checked="" type="checkbox"/> mm <input type="checkbox"/> INCH	THIRD ANGLE PROJECTION	TITLE: SC-FC ADAPTER	DIMENSIONS: <input type="checkbox"/> mm <input type="checkbox"/> INCH <input checked="" type="checkbox"/> mm ONLY	SHT REV	
		4 PLACES ± --- ± ---	3 PLACES ± --- ± ---	2 PLACES ± 0.25 ± ---	1 PLACE ± 0.50 ± ---	DRAWN BY & DATE fherman 2000/07/26		CHECKED BY & DATE fmartin 2000/10/05		REVISIONS CAD ONLY
A	REV	ANGULAR: ± 2°		APPROVED BY & DATE fherman 2000/07/26		MATERIAL NO. 85337-0002		DRAWING NO. SD-85337-006		SHEET NO. 1 of 1
		DRAFT WHERE APPLICABLE MUST REMAIN WITHIN DIMENSIONS		CAD FILENAME		MOLEX INCORPORATED		THIS DRAWING CONTAINS INFORMATION THAT IS PROPRIETARY TO MOLEX INCORPORATED AND SHOULD NOT BE USED WITHOUT WRITTEN PERMISSION.		SIZE B