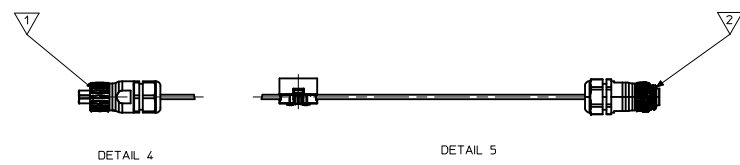
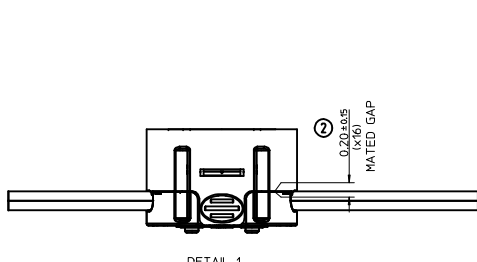
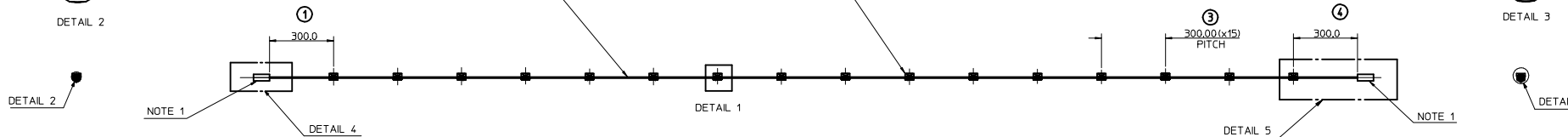
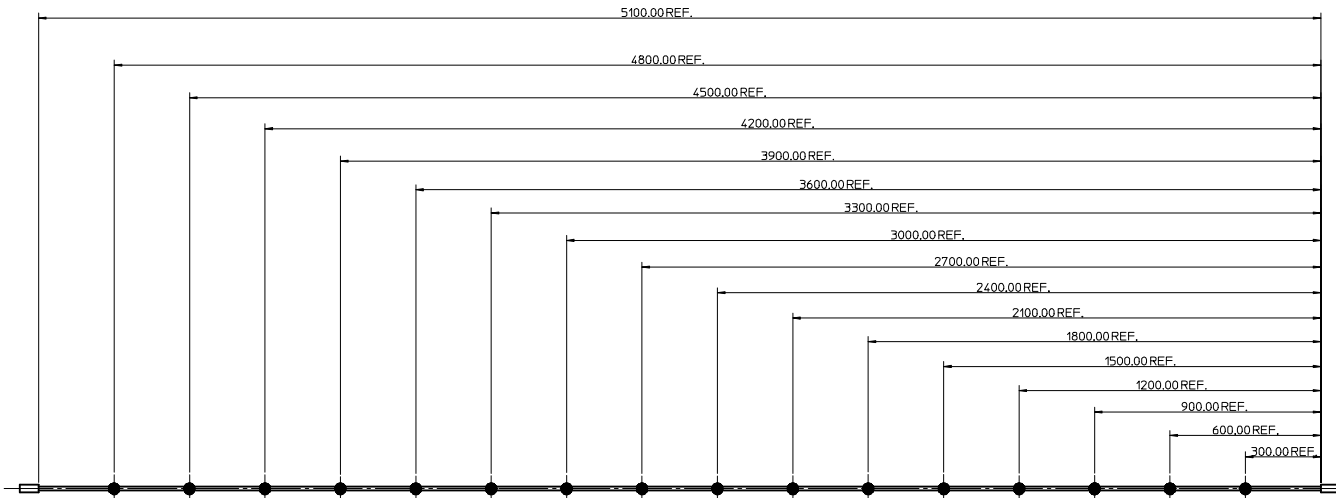
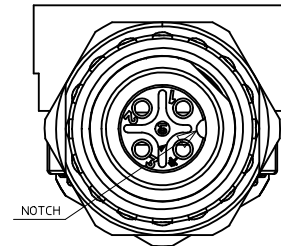
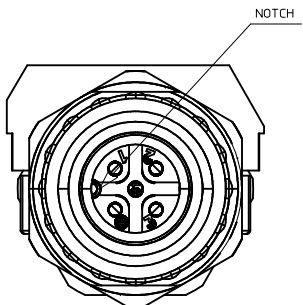


PIN	COLOUR
⊖	BLACK
1	WHITE
2	YELLOW
3	RED

PIN	COLOUR
⊖	BLACK
1	WHITE
2	YELLOW
3	RED



NOTES:
 1. ECOMATE AMPHENOL CONNECTOR MATED TO CABLE STRING
 FOR ECOMATE SPECIFICATION PLEASE REFER TO AMPHENOL PRODUCT SPEC
 LAST INSPECTION NUMBER USED 4

No	COMPONENT	DESCRIPTION
▽	AMPHENOL ECOMATE CONNECTOR (FEMALE)	MATING CONNECTOR - C016 20D003 807 12
▽	AMPHENOL ECOMATE CONNECTOR (MALE)	MATING CONNECTOR - C016 20H003 807 12
▽	BARCO CABLE	CABLE SPECIFIED IN ES-93056-001
▽	CABLE CONNECTOR ASSEMBLY	CABLE CONNECTOR AS SPECIFIED IN RSD-93056-001

ORIGINAL RELEASE EC NO: E2009-001 DRAWN BY: DRWINDMAHER CHKD: 2008/11/10 APPR: EFLAN 2008/11/11	QUALITY SYMBOLS	GENERAL TOLERANCES (UNLESS SPECIFIED)	DIMENSION STYLE	SCALE	DESIGN UNITS	THIRD ANGLE PROJECTION
	▽=0	mm INCH	MM ONLY	1:10	METRIC	☐
	▽=0	4 PLACES ± --- ± ---	DRAWN BY: D MAHER	DATE: 3/7/2008	TITLE: CABLE STRING ASSEMBLY	
		3 PLACES ± 1.0 ± ---	CHECKED BY: M SHANAHAN	DATE: 3/7/2008	MATERIAL NO: 926010458	
	2 PLACES ± 2.5 ± ---	APPROVED BY: E FOLAN	DATE: 3/7/2008	DOCUMENT NO: RSD-92601-458		
	1 PLACE ± 5.0 ± ---			SHEET NO: 1 OF 1		
DRAFT WHERE APPLICABLE MUST REMAIN WITHIN DIMENSIONS		THIS DRAWING CONTAINS INFORMATION THAT IS PROPRIETARY TO MOLEX INCORPORATED AND SHOULD NOT BE USED WITHOUT WRITTEN PERMISSION				