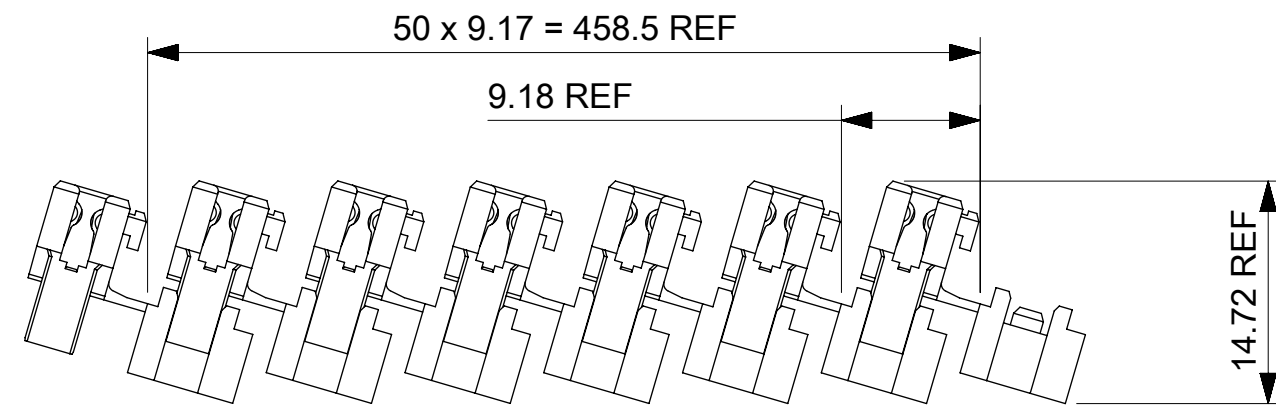
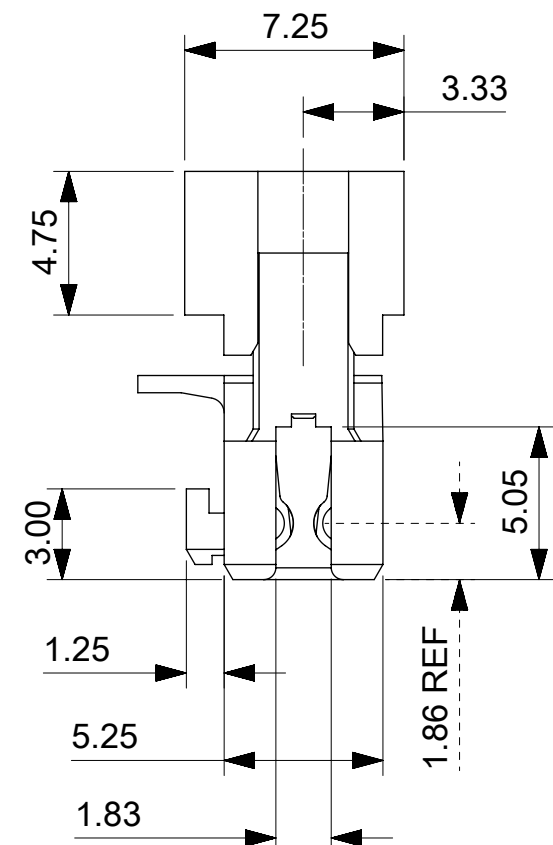
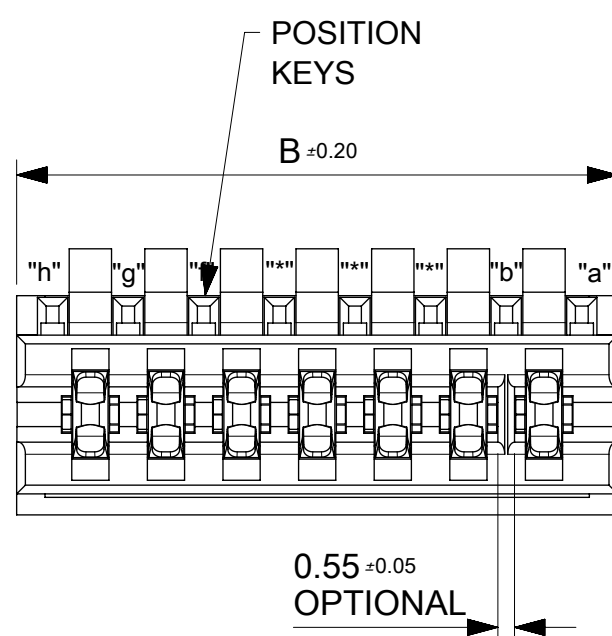
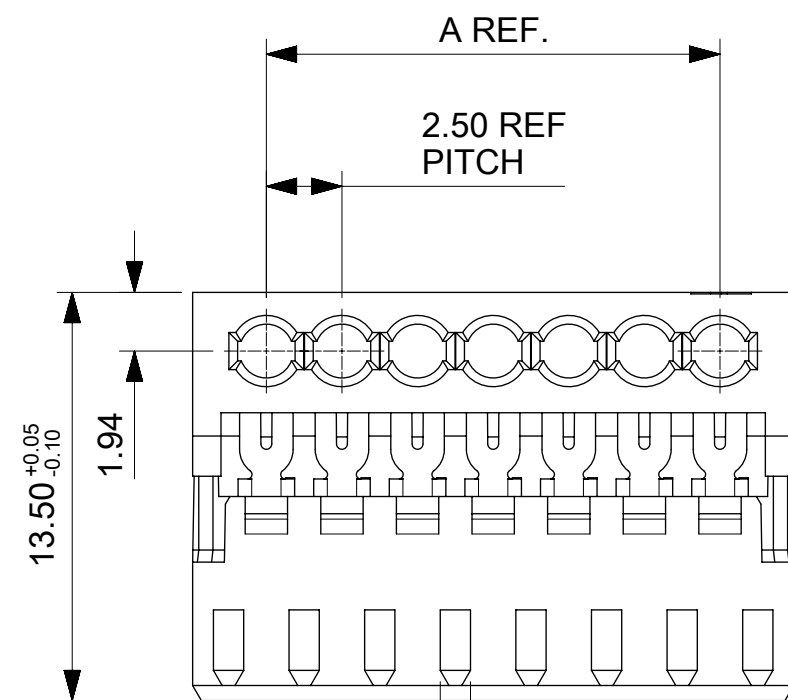
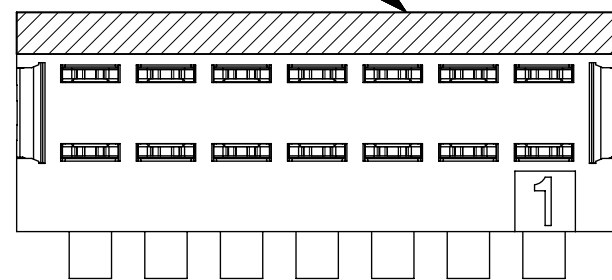
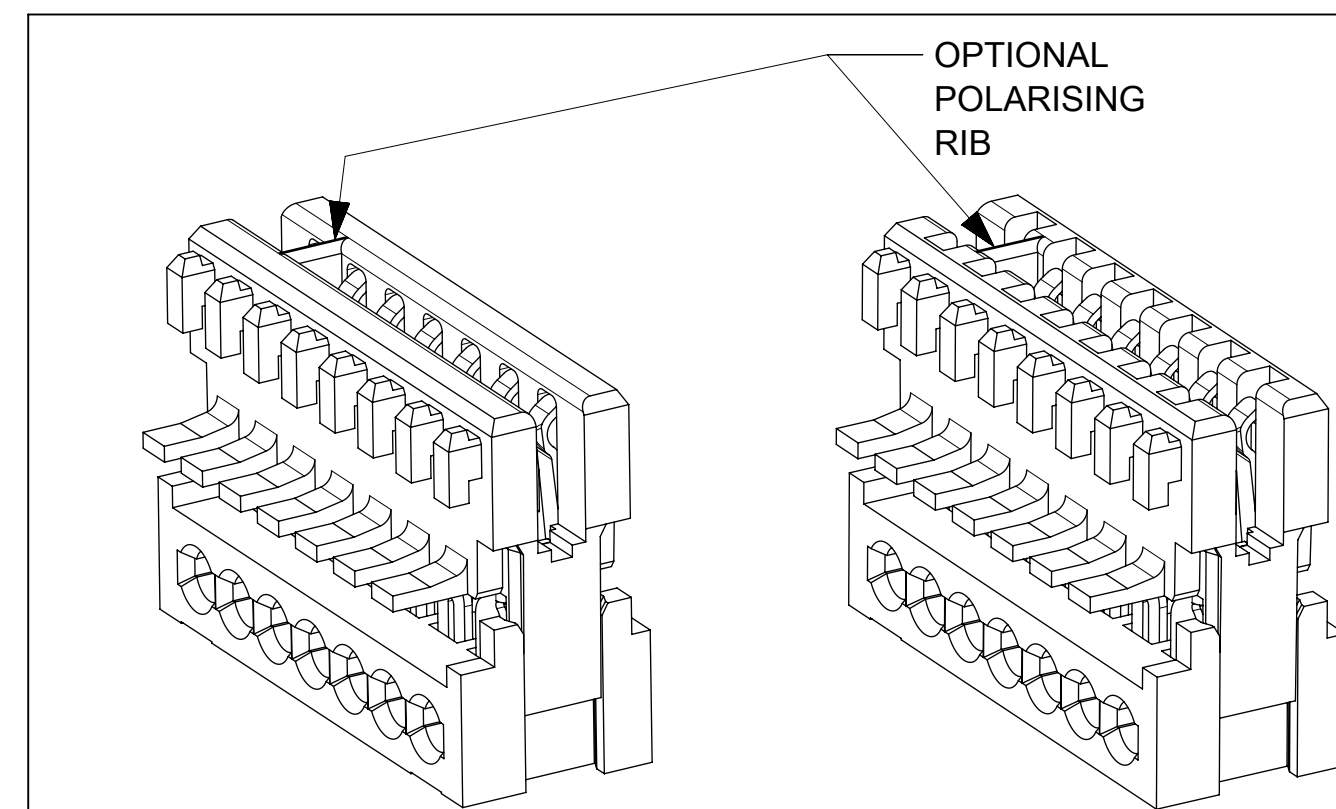


POSITION OF COLOUR STRIPE (see note 3)



SHIPPING ARRANGEMENT

CCT	A	B
2	2.5	7.375
3	5	9.875
4	7.5	12.375
5	10	14.875
6	12.5	17.375
7	15	19.875
8	17.5	22.375
9	20	24.875
10	22.5	27.375
11	25	29.875
12	27.5	32.375
13	30	34.875
14	32.5	37.375
15	35	39.875
16	37.5	42.375
17	40	44.875
18	42.5	47.375
19	45	49.875
20	47.5	52.375



OPEN END WALLS WITH ZEUS OPTION.

OPEN END WALLS OPTION.

NOTES:

- REFER TO PRODUCT SPECIFICATION: PS-99020-0040.
- MATERIAL: HOUSING -POLYAMIDE 6 (PA6) UL94-V2. COLOUR NATURAL.
TERMINAL: PHOSPHOR BRONZE 0.30 REF. THICK - PLATING HOT TIN DIP.
- COLOUR STRIPE IS OPTIONAL. AVAILABLE IN THE FOLLOWING COLOURS: RED, GREEN, BLUE, ORANGE, BROWN & YELLOW. (BLACK SIGNIFIES CUSTOMER SPECIFIC CONFIGURATION).
- REFER TO PACKAGING SPEC (PK-90871-001)
- REFER TO APPLICATION SPEC (990330008 AS)

THIS DRAWING CONTAINS INFORMATION THAT IS PROPRIETARY TO MOLEX ELECTRONIC TECHNOLOGIES, LLC AND SHOULD NOT BE USED WITHOUT WRITTEN PERMISSION

DIMENSION UNITS	SCALE	CURRENT REV DESC: UPDATED NOTE 5	
mm	4:1		
GENERAL TOLERANCES (UNLESS SPECIFIED)			
ANGULAR TOL	± 0.5°	EC NO: 620677	
4 PLACES	±	DRWN: CFISHER01	2019/07/15
3 PLACES	± 0.05	CHK'D: TCLEARY	2019/07/18
2 PLACES	± 0.1	APPR: BRUTTLE	2019/08/28
1 PLACE	± 0.2	INITIAL REVISION:	
0 PLACES	±	DRWN: CFISHER01	2016/01/11
		APPR: MSHANAHAN	2016/02/09
DRAFT WHERE APPLICABLE MUST REMAIN WITHIN DIMENSIONS	THIRD ANGLE PROJECTION	DRAWING	SERIES
		A2-SIZE	93466
		MATERIAL NUMBER	CUSTOMER
		934660001	GENERAL MARKET
		DOCUMENT NUMBER	DOC TYPE DOC PART REVISION
			PSD 000 AF
		MATERIAL NUMBER	SHEET NUMBER
		SEE SHEETS 5-11	1 OF 11

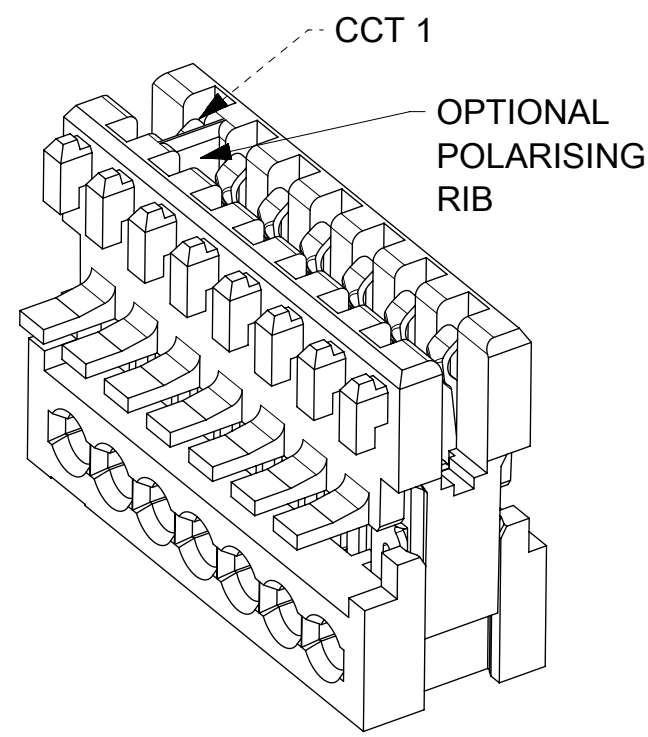
molex

APPLI-MATE 2.5 FEMALE
G.W.T. 750 AND 850 VERSION GF MATERIAL

PRODUCT CUSTOMER DRAWING

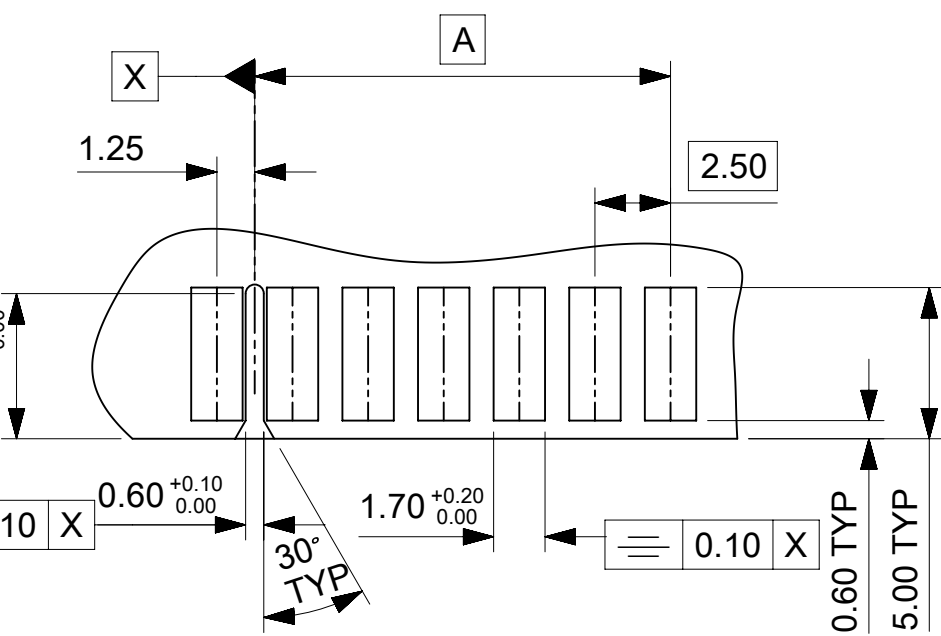
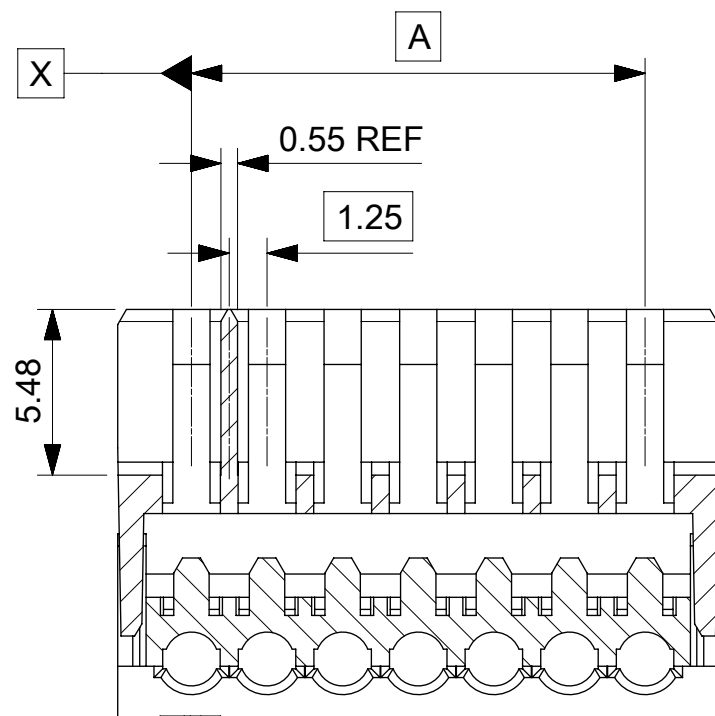
934660001

PSD 000 AF

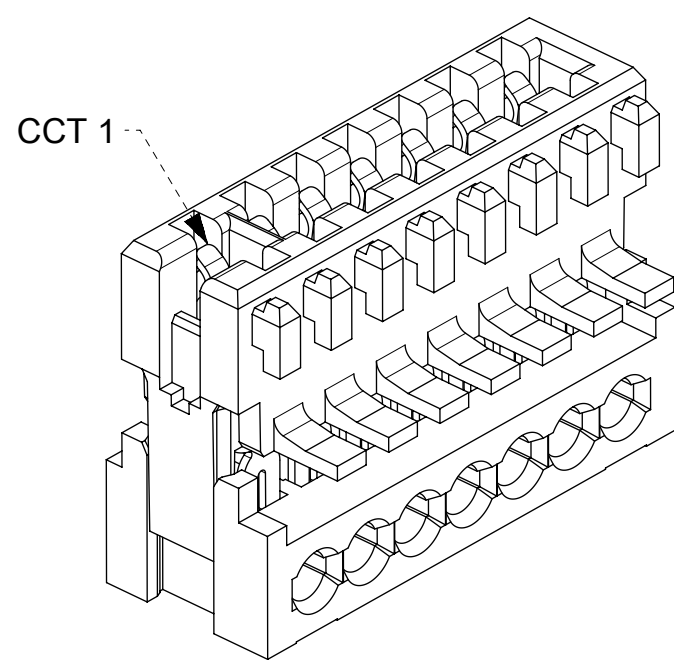


OPEN END WALL OPTION

FIRST END WALL	LAST END WALL
OPEN	OPEN

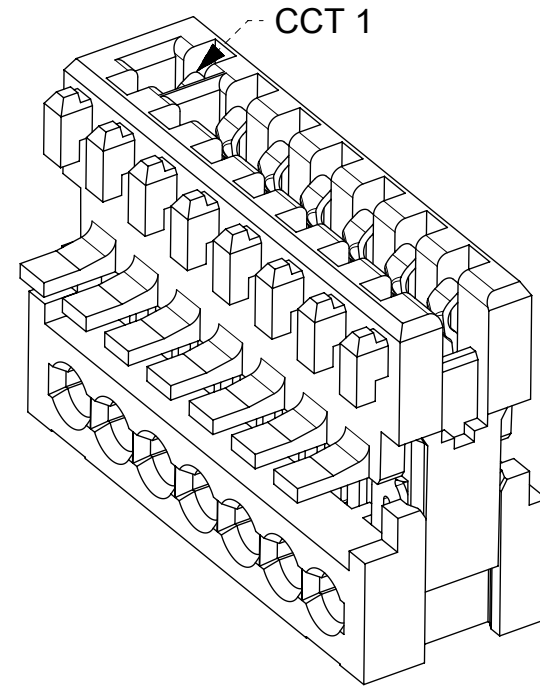
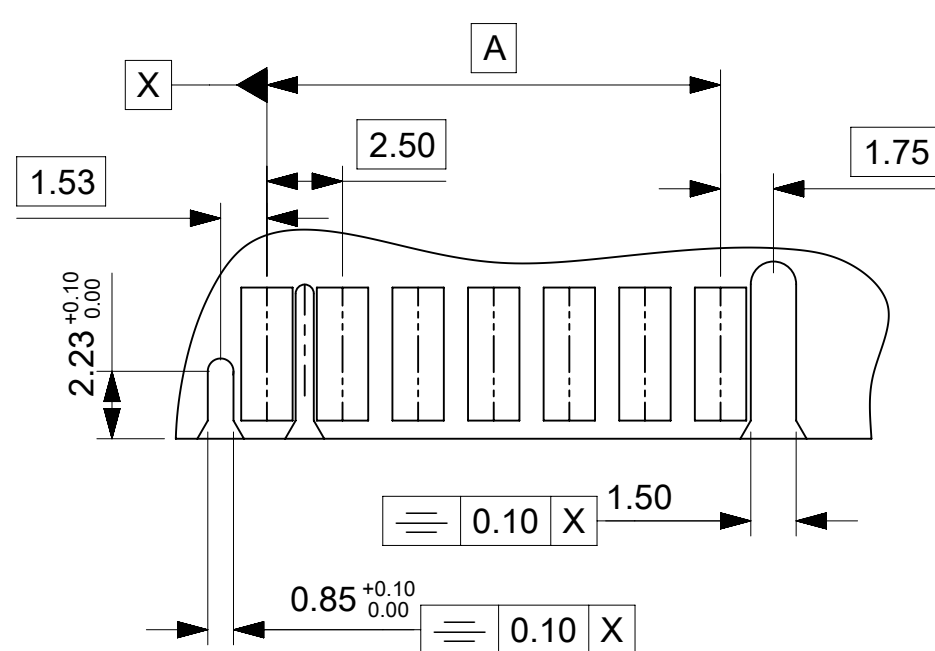
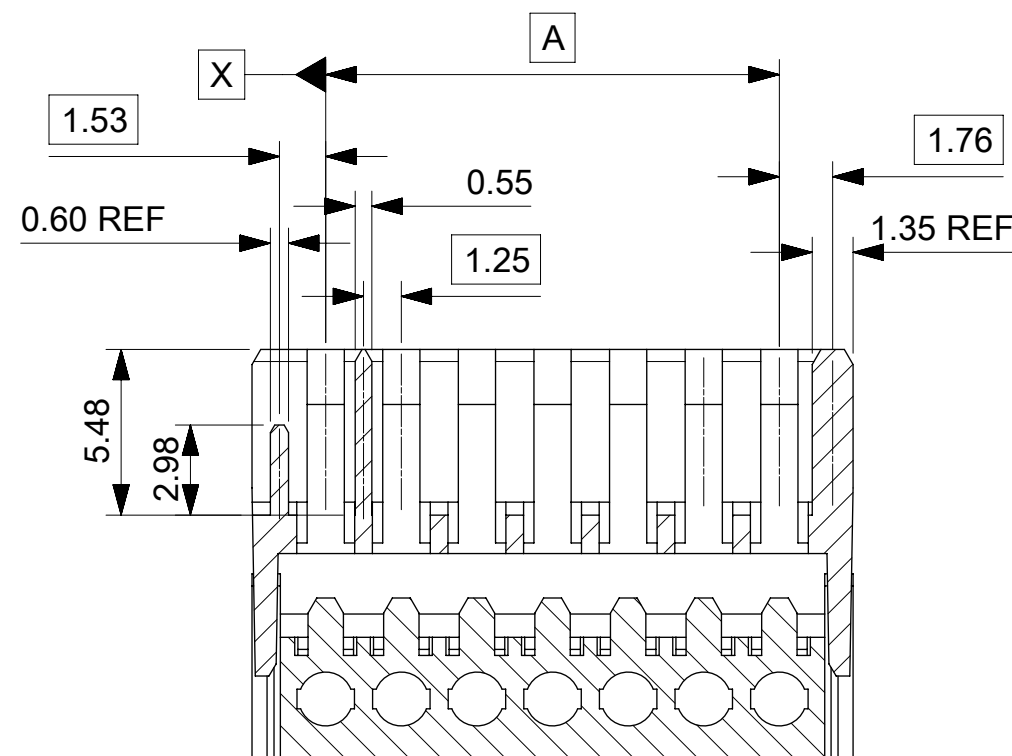


- PCB LAYOUT CCTCONNECTOR
(WITH OPTIONAL POSITIONAL RIB SLOT BETWEEN CCT 1 & 2)
- RECOMMENDED PCB THICKNESS 1.5 ± 0.14



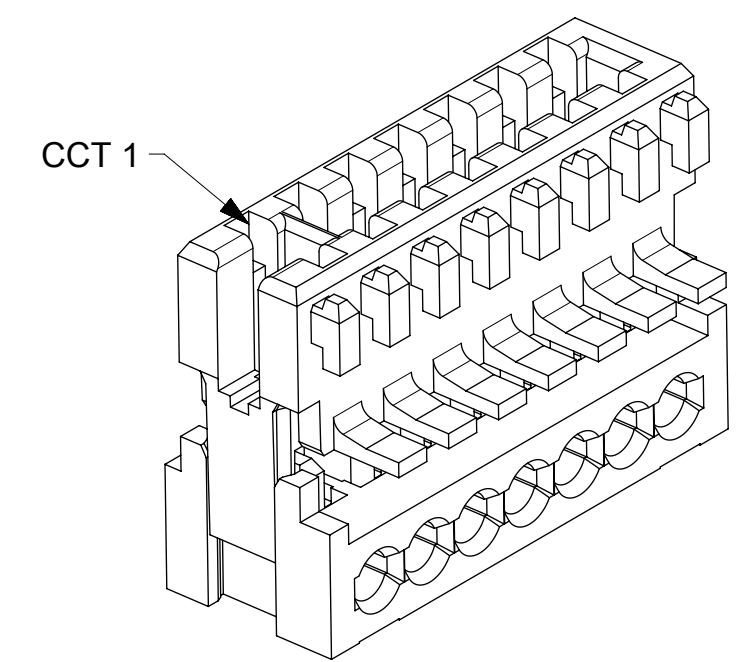
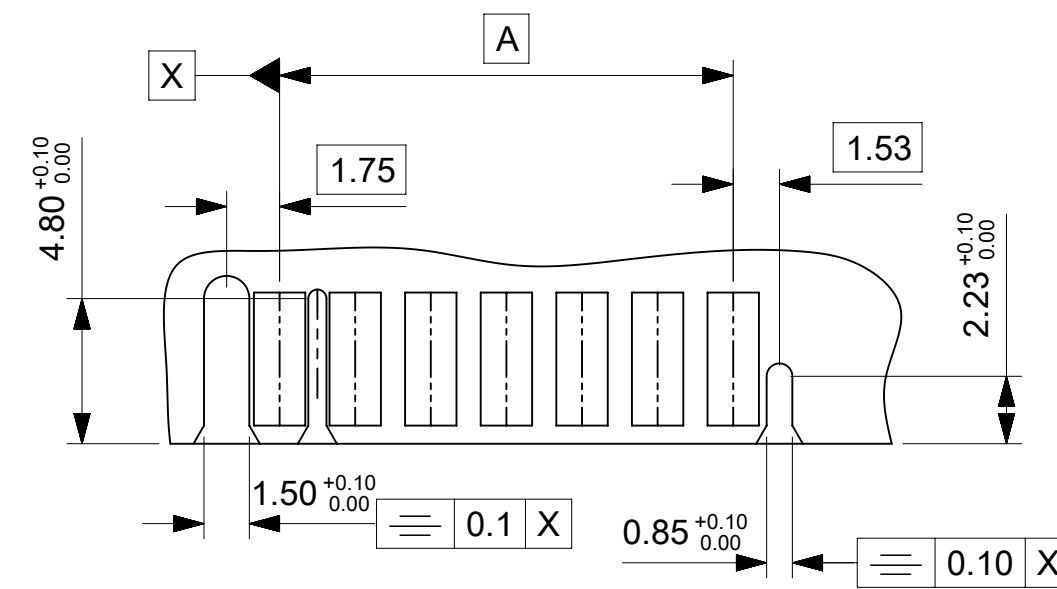
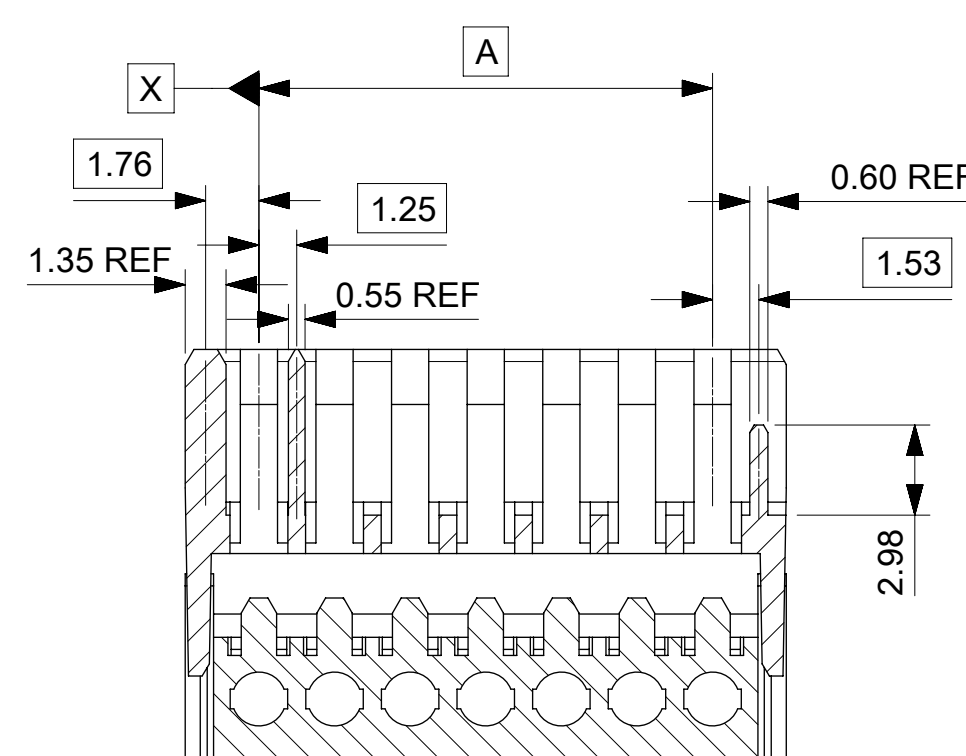
END WALL OPTION A

FIRST END WALL	LAST END WALL
HALF	CLOSED



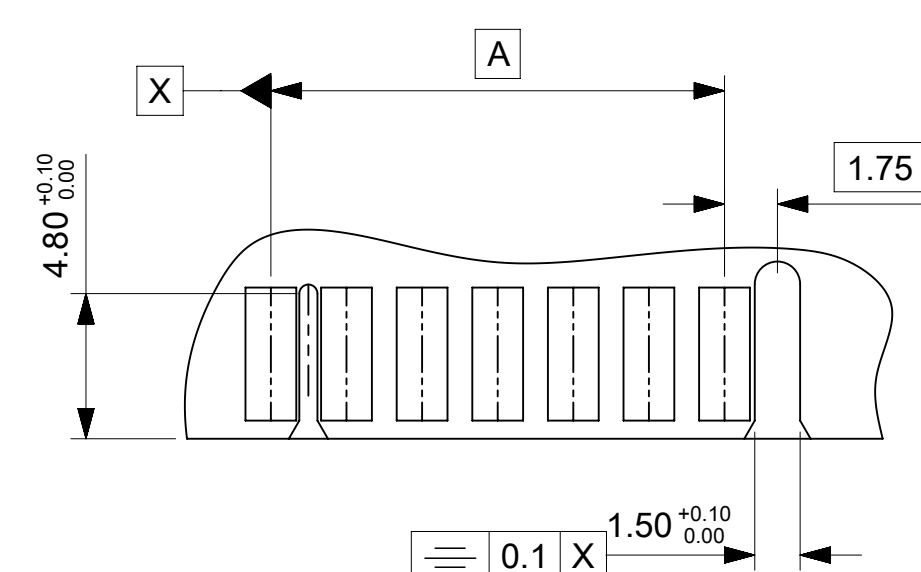
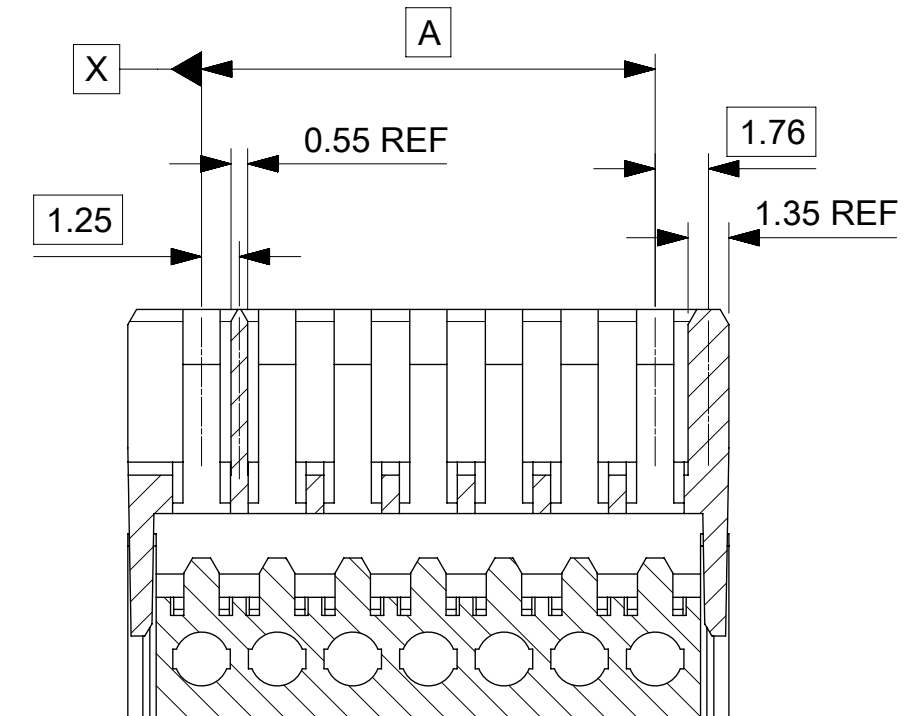
END WALL OPTION B

FIRST END WALL	LAST END WALL
CLOSED	HALF



END WALL OPTION C

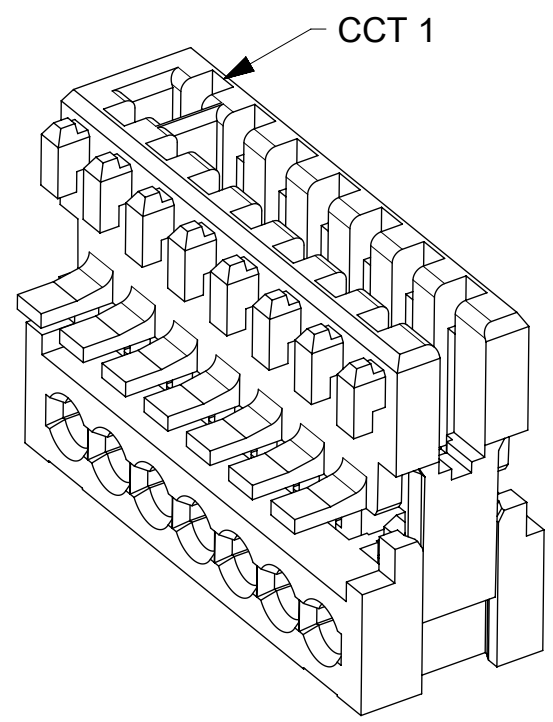
FIRST END WALL	LAST END WALL
OPEN	CLOSED



THIS DRAWING CONTAINS INFORMATION THAT IS PROPRIETARY TO MOLEX ELECTRONIC TECHNOLOGIES, LLC AND SHOULD NOT BE USED WITHOUT WRITTEN PERMISSION

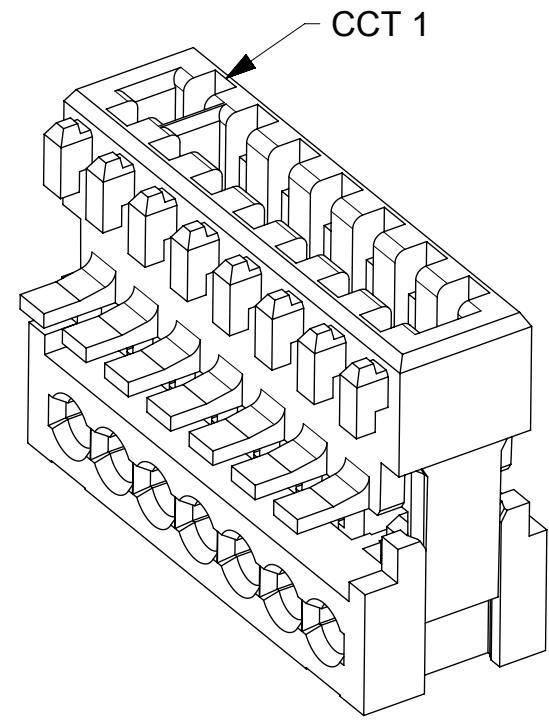
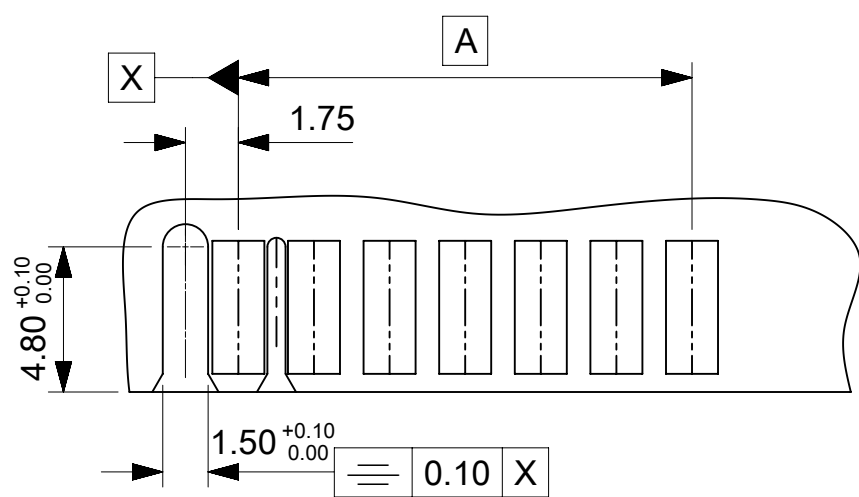
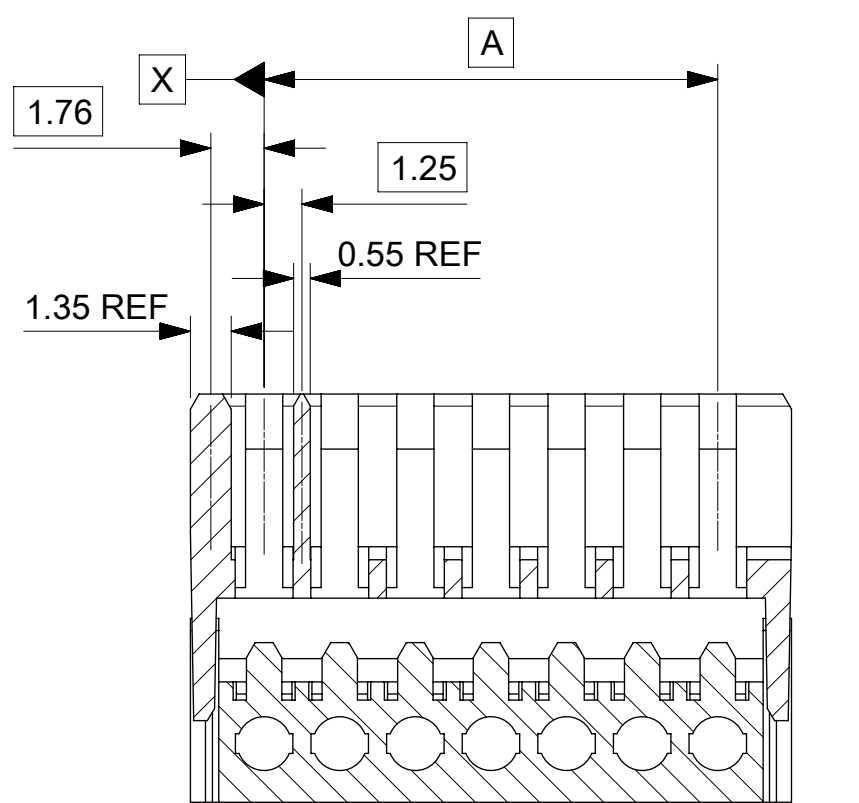
DIMENSION UNITS	SCALE	CURRENT REV DESC: UPDATED NOTE 5	
mm	4:1		
GENERAL TOLERANCES (UNLESS SPECIFIED)			
ANGULAR TOL	± 0.5°	EC NO:	620677
4 PLACES	±	DRWN:	CFISHER01 2019/07/15
3 PLACES	± 0.05	CHK'D:	TCLEARY 2019/07/18
2 PLACES	± 0.1	APPR:	BRUTTLE 2019/08/28
1 PLACE	± 0.2	INITIAL REVISION:	
0 PLACES	±	DRWN:	CFISHER01 2016/01/11
		APPR:	MSHANAHAN 2016/02/09
DRAFT WHERE APPLICABLE MUST REMAIN WITHIN DIMENSIONS	THIRD ANGLE PROJECTION	DRAWING	SERIES
		A2-SIZE	93466

molex			
APPLI-MATE 2.5 FEMALE G.W.T. 750 AND 850 VERSION GF MATERIAL			
PRODUCT CUSTOMER DRAWING			
DOCUMENT NUMBER	DOC TYPE	DOC PART	REVISION
934660001	PSD	000	AF
MATERIAL NUMBER	CUSTOMER	SHEET NUMBER	
SEE SHEETS 5-11	GENERAL MARKET	2 OF 11	



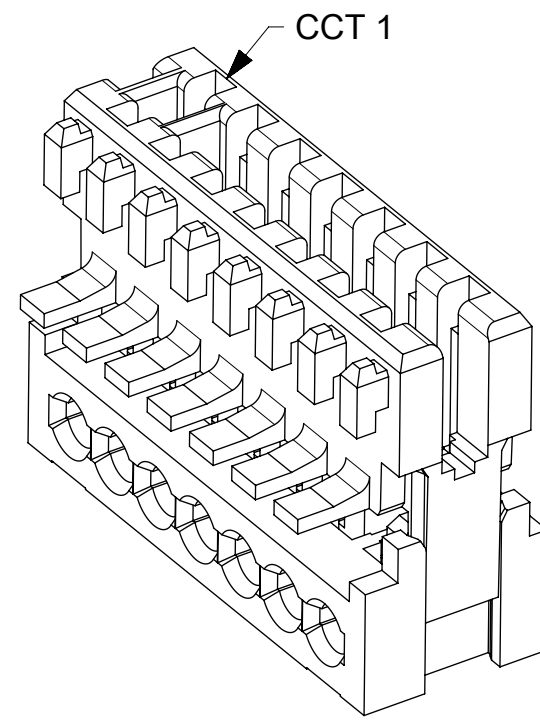
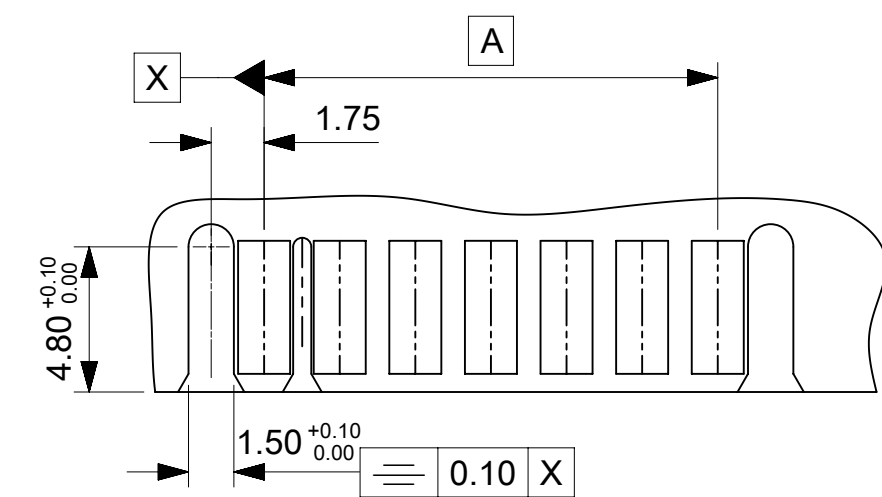
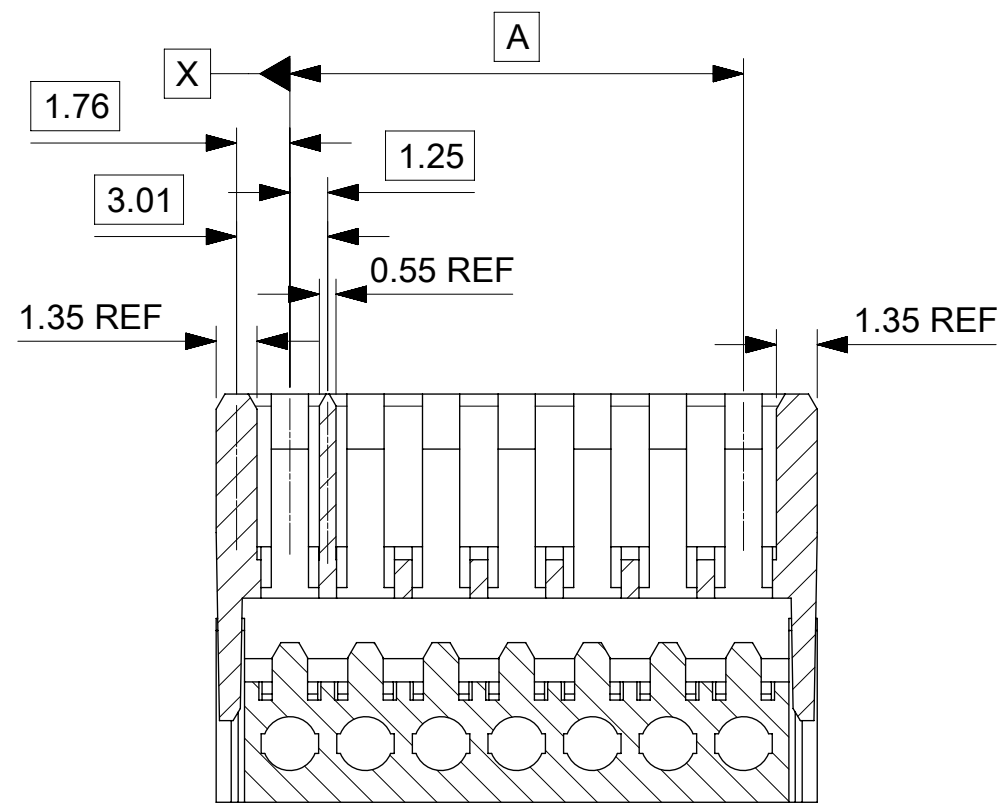
END WALL OPTION D

FIRST END WALL	LAST END WALL
CLOSED	OPEN



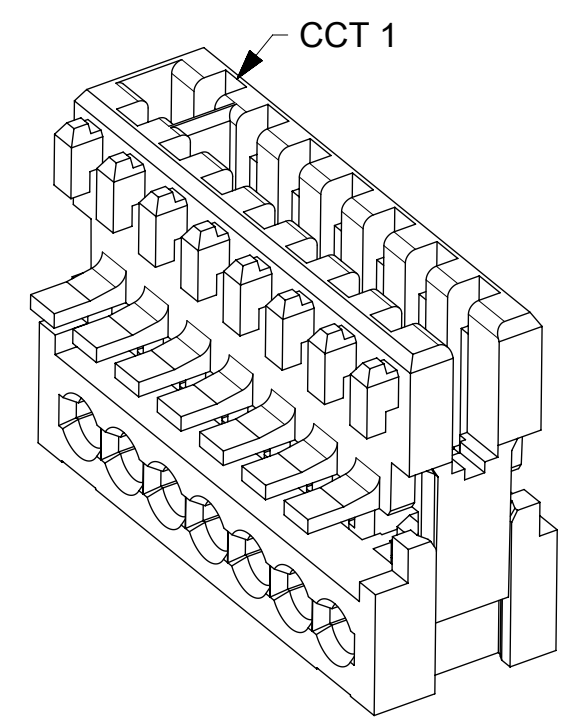
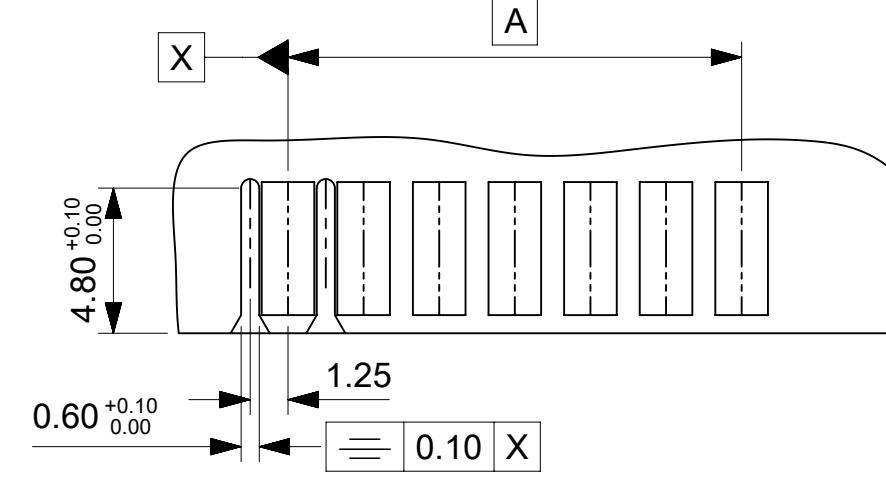
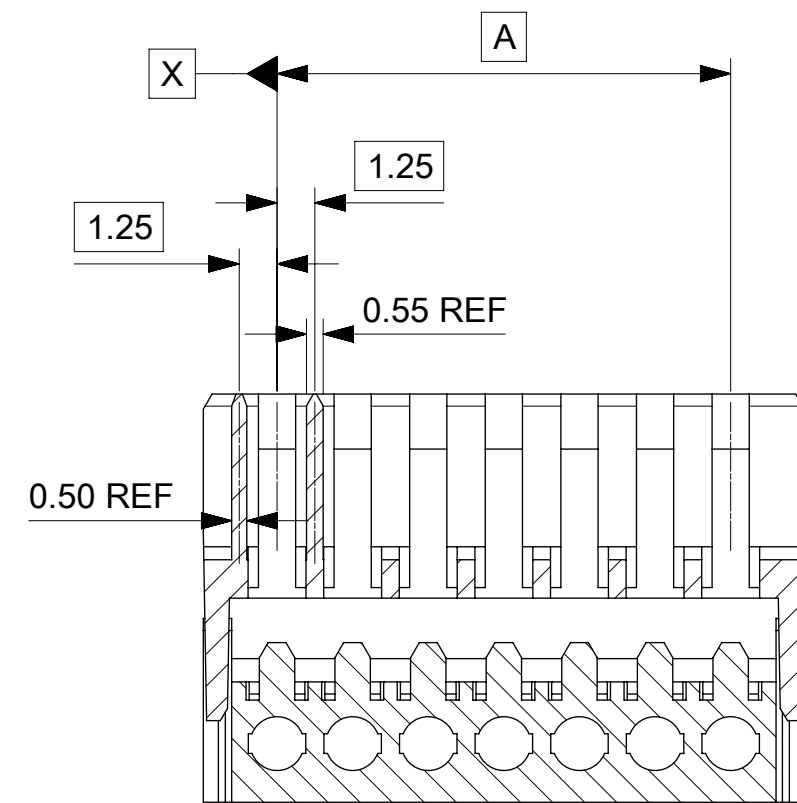
END WALL OPTION E

FIRST END WALL	LAST END WALL
CLOSED	CLOSED



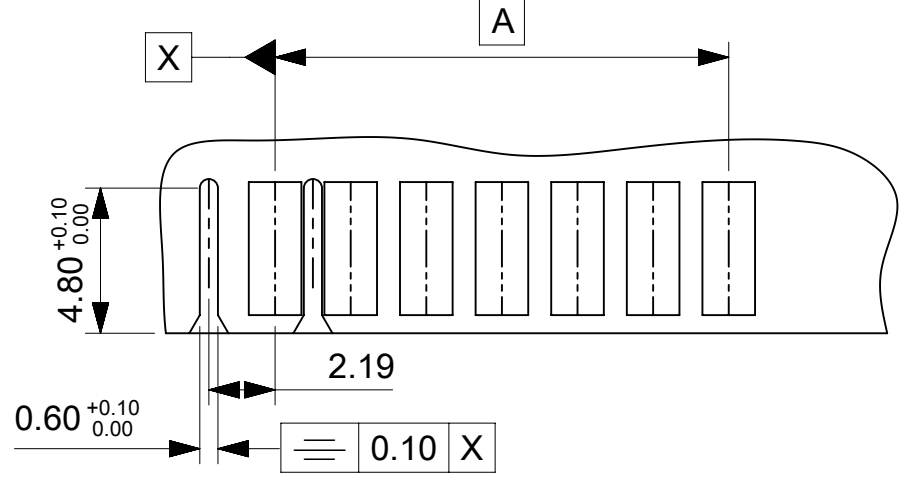
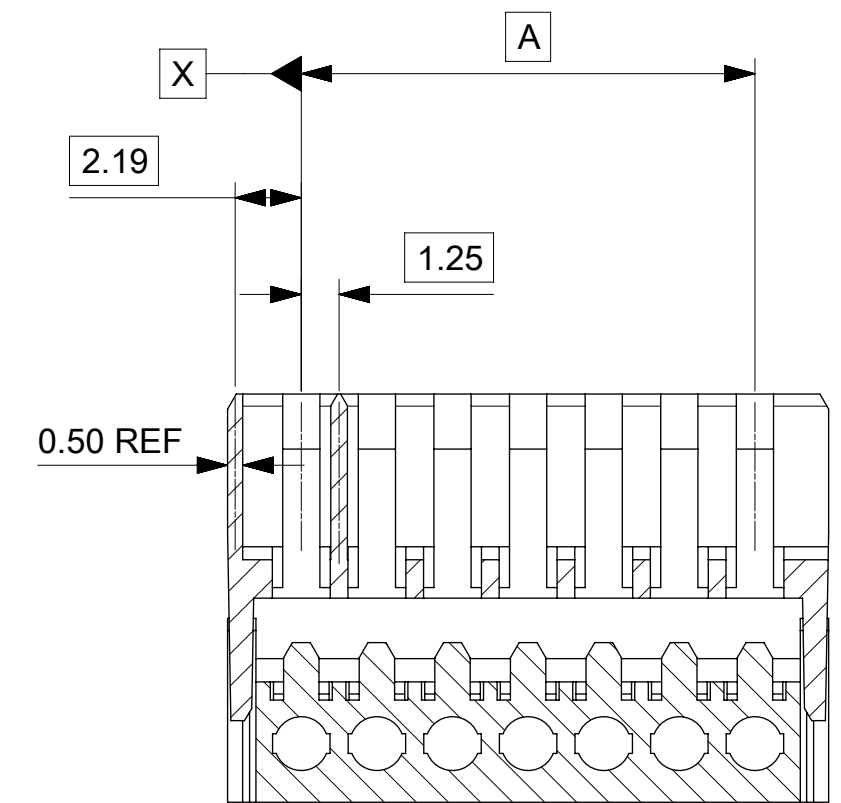
END WALL OPTION F

FIRST END WALL	LAST END WALL
NARROW	OPEN



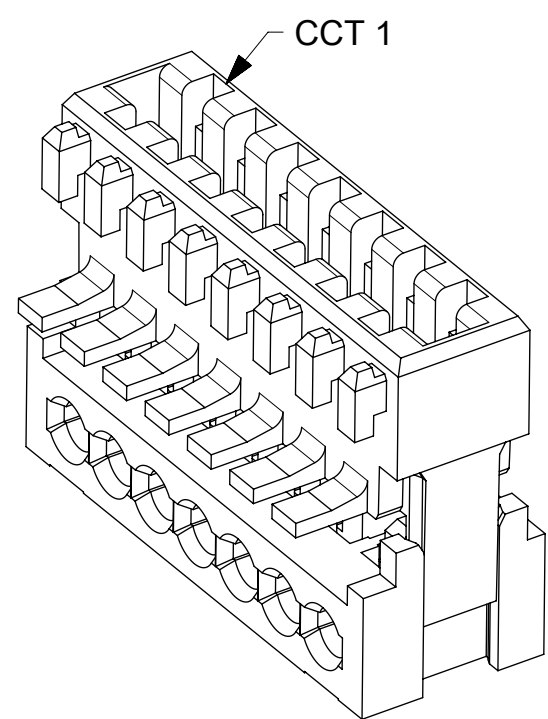
END WALL OPTION G

FIRST END WALL	LAST END WALL
NARROW FLUSH	OPEN



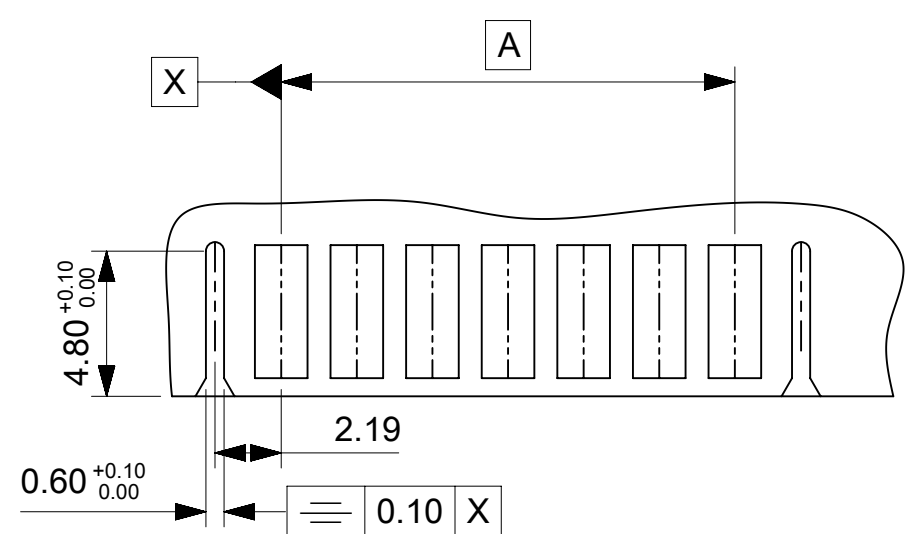
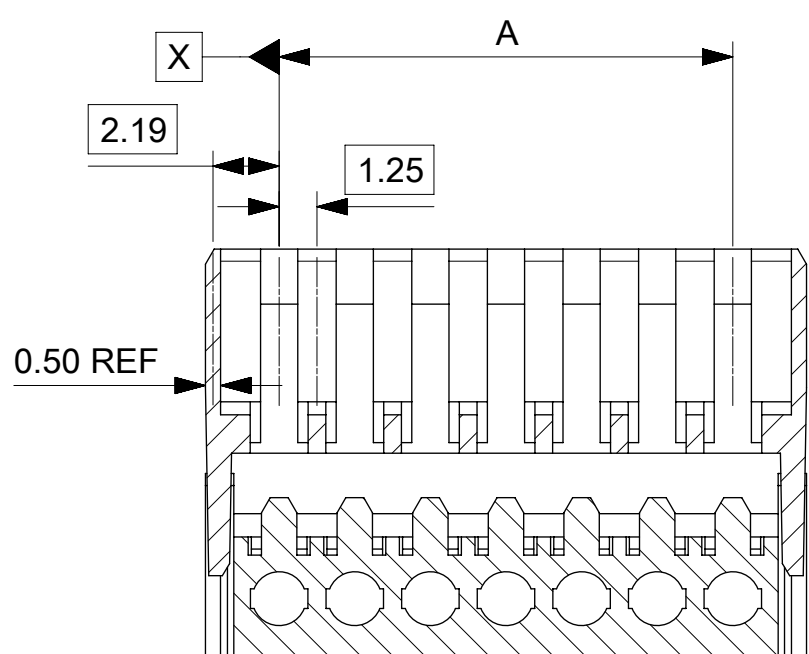
THIS DRAWING CONTAINS INFORMATION THAT IS PROPRIETARY TO MOLEX ELECTRONIC TECHNOLOGIES, LLC AND SHOULD NOT BE USED WITHOUT WRITTEN PERMISSION

DIMENSION UNITS	SCALE	CURRENT REV DESC: UPDATED NOTE 5		
mm	1:1			
GENERAL TOLERANCES (UNLESS SPECIFIED)				
ANGULAR TOL	± 0.5°	EC NO:	620677	
4 PLACES	±	DRWN:	CFISHER01	2019/07/15
3 PLACES	± 0.05	CHK'D:	TCLEARY	2019/07/18
2 PLACES	± 0.1	APPR:	BRUTTLE	2019/08/28
1 PLACE	± 0.2	INITIAL REVISION:		
0 PLACES	±	DRWN:	CFISHER01	2016/01/11
DRAFT WHERE APPLICABLE MUST REMAIN WITHIN DIMENSIONS		APPR:	MSHANAHAN	2016/02/09
THIRD ANGLE PROJECTION		DRAWING	SERIES	MATERIAL NUMBER
		A2-SIZE	93466	SEE SHEETS 5-11
		CUSTOMER	GENERAL MARKET	
		DOCUMENT NUMBER	934660001	DOC TYPE
		DOC PART	000	REVISION
				AF
		SHEET NUMBER		
		3 OF 11		



END WALL OPTION H

FIRST END WALL	LAST END WALL
NARROW FLUSH	NARROW FLUSH



THIS DRAWING CONTAINS INFORMATION THAT IS PROPRIETARY TO MOLEX ELECTRONIC TECHNOLOGIES, LLC AND SHOULD NOT BE USED WITHOUT WRITTEN PERMISSION

DIMENSION UNITS	SCALE	CURRENT REV DESC: UPDATED NOTE 5			
mm	1:1				
GENERAL TOLERANCES (UNLESS SPECIFIED)					
ANGULAR TOL	± 0.5°	EC NO:	620677		
4 PLACES	±	DRWN:	CFISHER01	2019/07/15	
3 PLACES	± 0.05	CHK'D:	TCLEARY	2019/07/18	
2 PLACES	± 0.1	APPR:	BRUTTLE	2019/08/28	
1 PLACE	± 0.2	INITIAL REVISION:			
0 PLACES	±	DRWN:	CFISHER01	2016/01/11	
DRAFT WHERE APPLICABLE MUST REMAIN WITHIN DIMENSIONS		APPR:	MSHANAHAN	2016/02/09	
THIRD ANGLE PROJECTION		DRAWING	SERIES	MATERIAL NUMBER	CUSTOMER
		A2-SIZE	93466	SEE SHEETS 5-11	GENERAL MARKET
		DOCUMENT NUMBER		DOC TYPE	DOC PART
		934660001		PSD	000
				REVISION	AF
				SHEET NUMBER	
				4 OF 11	

DOCUMENT STATUS	P1	RELEASE DATE	2019/08/28	10:46:16
-----------------	----	--------------	------------	----------

2 CIRCUIT

PART NUMBER	HOUSING USED	TERMINAL VOID POSITION	REMOVED POSITION KEYS	CONFIGURATION	FIRST ENDWALL	LAST ENDWALL	POLARIZING RIB BETWEEN	COLOUR STRIPE
93466-9001	93464-0002	NONE	NONE		OPEN	OPEN	NONE	NONE
93466-9002	93464-0102	NONE	NONE		OPEN	OPEN	BETWEEN CCT 1&2	NONE
93466-9003	93464-0002	NONE	a		OPEN	OPEN	NONE	NONE
93466-9004	93464-0002	NONE	b		OPEN	OPEN	NONE	NONE
93466-9005	93464-0002	NONE	c		OPEN	OPEN	NONE	NONE
93466-9006	93464-0002	NONE	a b c		OPEN	OPEN	NONE	NONE
93466-9007	94006-0002 ZEUS	NONE	NONE		OPEN	OPEN	NONE	NONE
93466-9008	94006-0102 ZEUS	NONE	a b c		OPEN	OPEN	BETWEEN CCT 1&2	NONE
93466-9009	94006-0002 ZEUS	NONE	a b c		OPEN	OPEN	NONE	NONE
93466-9010	94006-0102 ZEUS	NONE	NONE		OPEN	OPEN	BETWEEN CCT 1&2	NONE
93466-9011	94006-0202 ZEUS	NONE	NONE		OPEN	OPEN	BETWEEN CCT 1&2	BLACK
93466-9012	93464-0022	NONE	NONE		CLOSED	CLOSED	NONE	NONE
93466-9013	94006-0002 ZEUS	NONE	a		OPEN	OPEN	NONE	NONE

3 CIRCUIT

PART NUMBER	HOUSING USED	TERMINAL VOID POSITION	REMOVED POSITION KEYS	CONFIGURATION	FIRST ENDWALL	LAST ENDWALL	POLARIZING RIB BETWEEN	COLOUR STRIPE
93466-0001	93464-0003	NONE	NONE		OPEN	OPEN	NONE	BLUE
93466-0002	93464-0003	NONE	d		OPEN	OPEN	NONE	NONE
93466-0003	93464-0003	NONE	a b		OPEN	OPEN	NONE	NONE
93466-0004	93464-0063	NONE	d		CLOSED	OPEN	NONE	NONE
93466-0005	93464-0063	NONE	a c		CLOSED	OPEN	NONE	NONE
93466-0006	93464-0003	NONE	a		OPEN	OPEN	NONE	NONE
93466-0007	93464-0003	NONE	NONE		OPEN	OPEN	NONE	NONE
93466-0008	93464-0003	NONE	b d		OPEN	OPEN	NONE	NONE
93466-0009	93464-0003	NONE	a c		OPEN	OPEN	NONE	NONE
93466-0010	93464-0043	NONE	d		OPEN	CLOSED	NONE	NONE
93466-0011	93464-0083	NONE	d		NARROW	OPEN	NONE	NONE
93466-0012	93464-0083	NONE	a c		NARROW	OPEN	NONE	NONE
93466-0013	93464-0003	NONE	a b c		OPEN	OPEN	NONE	BLUE
93466-0014	93464-9903	NONE	d		NARROW FLUSH	OPEN	NONE	NONE
93466-0015	93464-0003	NONE	a b c d		OPEN	OPEN	NONE	NONE
93466-0016	93464-0203	NONE	NONE		OPEN	OPEN	BETWEEN CCT 2&3	NONE
93466-0017	93464-9903	NONE	a c		NARROW FLUSH	OPEN	NONE	NONE
93466-0018	93464-0103	NONE	a b c d		OPEN	OPEN	BETWEEN CCT 1&2	NONE
93466-0019	93464-0003	NONE	a		OPEN	OPEN	NONE	BLUE
93466-0020	93464-0003	NONE	d		OPEN	OPEN	NONE	BLUE
93466-0021	93464-0103	NONE	a b d		OPEN	OPEN	BETWEEN CCT 1&2	BLACK
93466-0022	93464-0103	NONE	a c d		OPEN	OPEN	BETWEEN CCT 1&2	NONE
93466-0023	94006-0003 ZEUS	NONE	NONE		OPEN	OPEN	NONE	NONE
93466-0024	93464-0103	NONE	a b d		OPEN	OPEN	BETWEEN CCT 1&2	YELLOW

NOTES

- 1. + DENOTES TERMINAL VOIDED POSITION
- ⊕ DENOTES TERMINAL LOADED POSITION
- | DENOTES POLARIZING RIB POSITION
- 2. MOLEX HOUSING NO. FOR REFERENCE ONLY

THIS DRAWING CONTAINS INFORMATION THAT IS PROPRIETARY TO MOLEX ELECTRONIC TECHNOLOGIES, LLC AND SHOULD NOT BE USED WITHOUT WRITTEN PERMISSION

DIMENSION UNITS	SCALE	CURRENT REV DESC: UPDATED NOTE 5		molex		
mm	1:1			APPLI-MATE 2.5 FEMALE G.W.T. 750 AND 850 VERSION GF MATERIAL		
GENERAL TOLERANCES (UNLESS SPECIFIED)		EC NO: 620677		PRODUCT CUSTOMER DRAWING		
ANGULAR TOL ± 0.5°		DRWN: CFISHER01 2019/07/15				
4 PLACES ±		CHK'D: TCLEARY 2019/07/18		DOCUMENT NUMBER		
3 PLACES ± 0.05		APPR: BRUTTLE 2019/08/28				
2 PLACES ± 0.1		INITIAL REVISION:		934660001		
1 PLACE ± 0.2		DRWN: CFISHER01 2016/01/11				
0 PLACES ±		APPR: MSHANAHAN 2016/02/09		DOC TYPE DOC PART REVISION PSD 000 AF		
DRAFT WHERE APPLICABLE MUST REMAIN WITHIN DIMENSIONS		THIRD ANGLE PROJECTION				
		DRAWING		MATERIAL NUMBER		
		A2-SIZE		93466		
		SERIES		CUSTOMER		
				GENERAL MARKET		
				SHEET NUMBER		
				5 OF 11		

3 CIRCUIT

PART NUMBER	HOUSING USED	TERMINAL VOID POSITION	REMOVED POSITION KEYS	CONFIGURATION	FIRST ENDWALL	LAST ENDWALL	POLARIZING RIB BETWEEN	COLOUR STRIPE
93466-0025	93464-0003	NONE	b c		OPEN	OPEN	NONE	NONE
93466-0026	93464-0003	NONE	c d		OPEN	OPEN	NONE	NONE
93466-0027	93464-0103	NONE	NONE		OPEN	OPEN	1&2	NONE
93466-0028	93464-0003	NONE	a d		OPEN	OPEN	NONE	NONE
93466-0029	94006-0003 ZEUS	NONE	a d		OPEN	OPEN	NONE	NONE
93466-0030	94006-0103 ZEUS	NONE	NONE		OPEN	OPEN	1&2	NONE
93466-0031	94006-0203 ZEUS	NONE	NONE		OPEN	OPEN	2&3	NONE
93466-0032	94006-0023 ZEUS	NONE	NONE		CLOSED	CLOSED	NONE	NONE
93466-0033	94006-0003 ZEUS	NONE	a c		OPEN	OPEN	NONE	NONE
93466-0035	94006-0003 ZEUS	NONE	ALL		OPEN	OPEN	NONE	NONE
93466-0036	94006-0003 ZEUS	NONE	b d		OPEN	OPEN	NONE	NONE
93466-0037	94006-0003 ZEUS	NONE	b c		OPEN	OPEN	NONE	NONE
93466-0039	94006-0003 ZEUS	NONE	a b		OPEN	OPEN	NONE	NONE
93466-0040	94006-0003 ZEUS	NONE	c d		OPEN	OPEN	NONE	NONE
93466-0041	93464-0203	NONE	a b d		OPEN	OPEN	2&3	NONE
93466-0042	93464-0203	NONE	a b c d		OPEN	OPEN	2&3	NONE
93466-0043	93464-0203	NONE	c		OPEN	OPEN	2&3	BLUE
93466-0044	93464-0203	NONE	b c d		OPEN	OPEN	2&3	NONE
93466-0045	93464-0103	NONE	b c		OPEN	OPEN	1&2	NONE
93466-0046	94006-0203 ZEUS	NONE	c		OPEN	OPEN	2&3	NONE
93466-0047	94006-0023 ZEUS	NONE	NONE		CLOSED	CLOSED	NONE	ORANGE
93466-0048	94006-0103 ZEUS	NONE	ALL		OPEN	OPEN	1&2	NONE
93466-0049	94006-0003 ZEUS	NONE	a		OPEN	OPEN	NONE	NONE
93466-0050	94006-9915 ZEUS	NONE	NONE		NARROW FLUSH	NARROW FLUSH	NONE	NONE
93466-0051	93464-0003	NONE	b		OPEN	OPEN	NONE	NONE
93466-0052	93464-0003	NONE	a b d		OPEN	OPEN	NONE	NONE
93466-0053	94006-0203 ZEUS	NONE	NONE		OPEN	OPEN	2&3	RED

NOTES

- + DENOTES TERMINAL VOIDED POSITION
⊕ DENOTES TERMINAL LOADED POSITION
| DENOTES POLARIZING RIB POSITION
- MOLEX HOUSING NO. FOR REFERENCE ONLY

4 CIRCUIT

PART NUMBER	HOUSING USED	TERMINAL VOID POSITION	REMOVED POSITION KEYS	CONFIGURATION	FIRST ENDWALL	LAST ENDWALL	POLARIZING RIB BETWEEN	COLOUR STRIPE
93466-0501	93464-0004	NONE	NONE		OPEN	OPEN	NONE	NONE
93466-0502	93464-0004	NONE	b		OPEN	OPEN	NONE	NONE
93466-0503	93464-0004	NONE	b c		OPEN	OPEN	NONE	NONE
93466-0504	93464-0004	NONE	d e		OPEN	OPEN	NONE	NONE
93466-0505	93464-0104	NONE	a b d e		OPEN	OPEN	BETWEEN CCT 1&2	NONE
93466-0506	93464-0064	NONE	NONE		CLOSED	OPEN	NONE	NONE
93466-0507	93464-0044	NONE	b		OPEN	CLOSED	NONE	NONE
93466-0508	93464-0084	NONE	NONE		NARROW	OPEN	NONE	NONE
93466-0510	93464-0004	NONE	a c		OPEN	OPEN	NONE	NONE
93466-0511	93464-0204	NONE	NONE		OPEN	OPEN	BETWEEN CCT 2&3	NONE
93466-0512	93464-0304	NONE	b c		OPEN	OPEN	BETWEEN CCT 3&4	NONE
93466-0513	93464-0104	CCT 1	a c e		OPEN	OPEN	BETWEEN CCT 1&2	NONE
93466-0514	93464-0304	CCT 2,4	NONE		OPEN	OPEN	BETWEEN CCT 3&4	NONE
93466-0515	93464-0304	NONE	NONE		OPEN	OPEN	BETWEEN CCT 3&4	NONE
93466-0516	93464-9901	NONE	NONE		NARROW FLUSH	OPEN	NONE	NONE
93466-0517	93464-0304	NONE	NONE		OPEN	OPEN	BETWEEN CCT 3&4	RED
93466-0518	93464-0204	NONE	NONE		OPEN	OPEN	BETWEEN CCT 2&3	BLUE
93466-0519	93464-0104	NONE	NONE		OPEN	OPEN	BETWEEN CCT 1&2	NONE
93466-0520	93464-0004	CCT 3	a b e		OPEN	OPEN	NONE	RED
93466-0521	93464-0104	NONE	a e		OPEN	OPEN	BETWEEN CCT 1&2	NONE
93466-0522	93464-0104	NONE	a e		OPEN	OPEN	BETWEEN CCT 1&2	BLACK
93466-0523	93464-0304	NONE	a e		OPEN	OPEN	BETWEEN CCT 3&4	NONE
93466-0524	93464-0144	NONE	a c		OPEN	CLOSED	BETWEEN CCT 1&2	NONE
93466-0525	93464-0264	NONE	NONE		CLOSED	OPEN	BETWEEN CCT 2&3	NONE

THIS DRAWING CONTAINS INFORMATION THAT IS PROPRIETARY TO MOLEX ELECTRONIC TECHNOLOGIES, LLC AND SHOULD NOT BE USED WITHOUT WRITTEN PERMISSION

DIMENSION UNITS	SCALE	CURRENT REV DESC: UPDATED NOTE 5					
mm	1:1						
GENERAL TOLERANCES (UNLESS SPECIFIED)		EC NO: 620677		APPLI-MATE 2.5 FEMALE G.W.T. 750 AND 850 VERSION GF MATERIAL			
ANGULAR TOL	± 0.5°	DRWN: CFISHER01 2019/07/15					
4 PLACES	±	CHK'D: TCLEARY 2019/07/18		PRODUCT CUSTOMER DRAWING			
3 PLACES	± 0.05	APPR: BRUTTLE 2019/08/28					
2 PLACES	± 0.1	INITIAL REVISION:		DOCUMENT NUMBER 934660001			
1 PLACE	± 0.2	DRWN: CFISHER01 2016/01/11					
0 PLACES	±	APPR: MSHANAHAN 2016/02/09		DOC TYPE PSD			
DRAFT WHERE APPLICABLE MUST REMAIN WITHIN DIMENSIONS		THIRD ANGLE PROJECTION					
		DRAWING		DOC PART		REVISION	
		SERIES		DOC PART		REVISION	
		MATERIAL NUMBER		DOC PART		REVISION	
		CUSTOMER		DOC PART		REVISION	
		SHEET NUMBER		DOC PART		REVISION	
		A2-SIZE		DOC PART		REVISION	
		93466		DOC PART		REVISION	
		SEE SHEETS 5-11		DOC PART		REVISION	
		GENERAL MARKET		DOC PART		REVISION	
		6 OF 11		DOC PART		REVISION	

4 CIRCUIT								
PART NUMBER	HOUSING USED	TERMINAL VOID POSITION	REMOVED POSITION KEYS	CONFIGURATION	FIRST ENDWALL	LAST ENDWALL	POLARIZING RIB BETWEEN	COLOUR STRIPE
93466-0526	93464-0144	NONE	a e		OPEN	CLOSED	BETWEEN CCT 1&2	NONE
93466-0527	93464-0344	NONE	b c		OPEN	CLOSED	BETWEEN CCT 3&4	NONE
93466-0528	93464-0164	NONE	a b d e		CLOSED	OPEN	BETWEEN CCT1&2	NONE
93466-0529	93464-0144	NONE	d e		OPEN	CLOSED	BETWEEN CCT1&2	NONE
93466-0530	93464-0264	NONE	b c d		CLOSED	OPEN	BETWEEN CCT2&3	NONE
93466-0531	93464-0264	NONE	a e		CLOSED	OPEN	BETWEEN CCT2&3	NONE
93466-0532	93464-0004	NONE	b c d		OPEN	OPEN	NONE	NONE
93466-0533	93464-0004	NONE	a e		OPEN	OPEN	NONE	NONE
93466-0534	93464-0004	NONE	a c e		OPEN	OPEN	NONE	NONE
93466-0535	94006-0004 ZEUS	NONE	NONE		OPEN	OPEN	NONE	NONE
93466-0536	94006-0024 ZEUS	NONE	NONE		CLOSED	CLOSED	NONE	NONE
93466-0537	93464-0004	CCT 2	NONE		OPEN	OPEN	NONE	NONE
93466-0538	94006-0004 ZEUS	NONE	b c d		OPEN	OPEN	NONE	NONE
93466-0539	94006-0004 ZEUS	NONE	a e		OPEN	OPEN	NONE	NONE
93466-0540	94006-0004 ZEUS	NONE	a c e		OPEN	OPEN	NONE	NONE
93466-0541	94006-0004 ZEUS	NONE	b d e		OPEN	OPEN	NONE	NONE
93466-0542	94006-0004 ZEUS	NONE	a b d		OPEN	OPEN	NONE	NONE
93466-0543	93464-0064	NONE	b		CLOSED	OPEN	NONE	NONE
93466-0544	94006-0064 ZEUS	NONE	b		CLOSED	OPEN	NONE	NONE
93466-0545	93464-0104	NONE	b c d		OPEN	OPEN	BETWEEN CCT1&2	NONE
93466-0546	93464-0304	NONE	b c d		OPEN	OPEN	BETWEEN CCT3&4	NONE
93466-0547	94006-0004 ZEUS	NONE	a b c d e		OPEN	OPEN	NONE	NONE
93466-0548	94006-0304 ZEUS	NONE	b c d		OPEN	OPEN	BETWEEN CCT3&4	NONE
93466-0549	94006-0304 ZEUS	NONE	b c e		OPEN	OPEN	BETWEEN CCT3&4	NONE
93466-0553	94006-0044 ZEUS	NONE	NONE		OPEN	CLOSED	NONE	NONE
93466-0554	94006-0004 ZEUS	NONE	b d		OPEN	OPEN	NONE	NONE
93466-0555	94006-0024 ZEUS	NONE	a b		CLOSED	CLOSED	NONE	NONE
93466-0556	94006-0064 ZEUS	NONE	NONE		CLOSED	OPEN	NONE	NONE

5 CIRCUIT												
PART NUMBER	HOUSING USED	TERMINAL VOID POSITION	REMOVED POSITION KEYS	CONFIGURATION	FIRST ENDWALL	LAST ENDWALL	POLARIZING RIB BETWEEN	COLOUR STRIPE				
93466-1001	93464-0005	NONE	c d		OPEN	OPEN	NONE	NONE				
93466-1003	93464-0005	CCT 1, 2, 4	a d e f		OPEN	OPEN	NONE	NONE				
93466-1004	93464-0005	CCT 2, 3, 4	ALL		OPEN	OPEN	NONE	NONE				
93466-1005	93464-0105	NONE	NONE		OPEN	OPEN	BETWEEN CCT 1&2	NONE				
93466-1006	93464-0005	CCT 2, 3, 4	a d e f		OPEN	OPEN	NONE	NONE				
93466-1007	93464-0005	NONE	NONE		OPEN	OPEN	NONE	NONE				
93466-1008	93464-0005	NONE	a b d e		OPEN	OPEN	NONE	NONE				
93466-1009	93464-0005	NONE	a f		OPEN	OPEN	NONE	NONE				
93466-1010	93464-0025	NONE	NONE		CLOSED	CLOSED	NONE	NONE				
93466-1011	93464-0205	NONE	a f		OPEN	OPEN	BETWEEN CCT 2&3	BLUE				
93466-1012	93464-0005	CCT 2, 4	NONE		OPEN	OPEN	NONE	NONE				
93466-1013	93464-0105	CCT 3	a f		OPEN	OPEN	BETWEEN CCT 1&2	NONE				
93466-1014	93464-0205	NONE	NONE		OPEN	OPEN	BETWEEN CCT 2&3	NONE				
93466-1015	93464-0105	NONE	c d e		OPEN	OPEN	BETWEEN CCT 1&2	NONE				
93466-1016	93464-0205	NONE	c d e		OPEN	OPEN	BETWEEN CCT 2&3	NONE				
93466-1017	93464-0005	NONE	a b c d e f		OPEN	OPEN	NONE	NONE				
93466-1018	94006-0005 ZEUS	NONE	c d		OPEN	OPEN	NONE	NONE				
93466-1019	94006-0005 ZEUS	NONE	NONE		OPEN	OPEN	NONE	NONE				
93466-1020	93464-0005	NONE	b d e		OPEN	OPEN	NONE	NONE				
93466-1021	93464-0005	NONE	a c f		OPEN	OPEN	NONE	NONE				
93466-1022	93464-0005	NONE	b c d e f		OPEN	OPEN	NONE	NONE				
93466-1024	93464-0005	CCT 3	NONE		OPEN	OPEN	NONE	NONE				
93466-1025	94006-0005 ZEUS	NONE	b d e		OPEN	OPEN	NONE	NONE				
93466-1026	94006-0005 ZEUS	NONE	b c d e		OPEN	OPEN	NONE	NONE				

NOTES

- + DENOTES TERMINAL VOIDED POSITION
⊕ DENOTES TERMINAL LOADED POSITION
| DENOTES POLARIZING RIB POSITION
- MOLEX HOUSING NO. FOR REFERENCE ONLY

THIS DRAWING CONTAINS INFORMATION THAT IS PROPRIETARY TO MOLEX ELECTRONIC TECHNOLOGIES, LLC AND SHOULD NOT BE USED WITHOUT WRITTEN PERMISSION

DIMENSION UNITS	SCALE	CURRENT REV DESC: UPDATED NOTE 5					
mm	1:1						
GENERAL TOLERANCES (UNLESS SPECIFIED)				APPLI-MATE 2.5 FEMALE G.W.T. 750 AND 850 VERSION GF MATERIAL			
ANGULAR TOL	± 0.5°	EC NO:	620677	2019/07/15		PRODUCT CUSTOMER DRAWING	
4 PLACES	±	DRWN:	CFISHER01	2019/07/18		DOCUMENT NUMBER	
3 PLACES	± 0.05	CHK'D:	TCLEARY	2019/07/18		934660001	
2 PLACES	± 0.1	APPR:	BRUTTLE	2019/08/28		DOC TYPE	DOC PART
1 PLACE	± 0.2	INITIAL REVISION:		2016/01/11		PSD	000
0 PLACES	±	DRWN:		2016/02/09		AF	REVISION
DRAFT WHERE APPLICABLE MUST REMAIN WITHIN DIMENSIONS		THIRD ANGLE PROJECTION	DRAWING	SERIES	MATERIAL NUMBER	CUSTOMER	SHEET NUMBER
			A2-SIZE	93466	SEE SHEETS 5-11	GENERAL MARKET	7 OF 11

5 CIRCUIT								
PART NUMBER	HOUSING USED	TERMINAL VOID POSITION	REMOVED POSITION KEYS	CONFIGURATION	FIRST ENDWALL	LAST ENDWALL	POLARIZING RIB BETWEEN	COLOUR STRIPE
93466-1027	94006-0005 ZEUS	NONE	a c e		OPEN	OPEN	NONE	NONE
93466-1028	94006-0005 ZEUS	NONE	a c f		OPEN	OPEN	NONE	NONE
93466-1030	94006-0405 ZEUS	NONE	NONE		OPEN	OPEN	BETWEEN CCT 4&5	NONE
93466-1032	94006-0105 ZEUS	4	NONE		OPEN	OPEN	BETWEEN CCT 1&2	GREEN
93466-1033	94006-0205 ZEUS	NONE	NONE		OPEN	OPEN	BETWEEN CCT 2&3	NONE
93466-1034	94006-0005 ZEUS	NONE	c		OPEN	OPEN	NONE	NONE
93466-1035	94006-0005 ZEUS	NONE	e		OPEN	OPEN	NONE	NONE
93466-1036	94006-0105	NONE	NONE		OPEN	OPEN	NONE	NONE

6 CIRCUIT										
PART NUMBER	HOUSING USED	TERMINAL VOID POSITION	REMOVED POSITION KEYS	CONFIGURATION	FIRST ENDWALL	LAST ENDWALL	POLARIZING RIB BETWEEN	COLOUR STRIPE		
93466-1517	93464-0106	NONE	a b		OPEN	OPEN	BETWEEN CCT 1&2	NONE		
93466-1518	93464-0506	NONE	d f		OPEN	OPEN	BETWEEN CCT 5&6	NONE		
93466-1519	93464-0106	NONE	a b c d		OPEN	OPEN	BETWEEN CCT 1&2	NONE		
93466-1520	93464-9904	CCT 2,5	NONE		NARROW FLUSH	NARROW FLUSH	NONE	NONE		
93466-1521	93464-0306	NONE	c f		OPEN	OPEN	BETWEEN CCT 3&4	NONE		
93466-1522	93464-0326	CCT 2,5	a b c		CLOSED	CLOSED	BETWEEN CCT 3&4	NONE		
93466-1523	93464-0426	CCT 2,5	e f g		CLOSED	CLOSED	BETWEEN CCT 4&5	NONE		
93466-1524	93464-0006	CCT 2,5	NONE		OPEN	OPEN	NONE	RED		
93466-1525	93464-0006	CCT 3,5	NONE		OPEN	OPEN	NONE	BLUE		
93466-1526	94006-0006 ZEUS	NONE	NONE		OPEN	OPEN	NONE	NONE		
93466-1528	94006-0026 ZEUS	NONE	NONE		CLOSED	CLOSED	NONE	NONE		
93466-1529	94006-0006 ZEUS	NONE	b c d e f		OPEN	OPEN	NONE	NONE		
93466-1530	94006-0006 ZEUS	NONE	a c d e g		OPEN	OPEN	NONE	NONE		
93466-1532	94006-0006 ZEUS	CCT 2,5	NONE		OPEN	OPEN	NONE	RED		
93466-1533	93464-0006	NONE	b c d e f		OPEN	OPEN	NONE	NONE		
93466-1534	93464-0006	NONE	a g		OPEN	OPEN	NONE	NONE		
93466-1535	94006-0006 ZEUS	CCT 2,4	b d e f		OPEN	OPEN	NONE	BLUE		
93466-1536	93464-0266	NONE	NONE		CLOSED	OPEN	BETWEEN CCT 2&3	BLUE		
93466-1537	93464-9911	NONE	NONE		NARROW FLUSH	OPEN	BETWEEN CCT 2&3	BLUE		
93466-1538	93464-0266	NONE	a e		CLOSED	OPEN	BETWEEN CCT 2&3	NONE		
93466-1539	94006-0006 ZEUS	NONE	a b d e g		OPEN	OPEN	NONE	NONE		
93466-1540	93464-0006	NONE	d e f g		OPEN	OPEN	NONE	NONE		
93466-1541	93464-0006	NONE	a b e f		OPEN	OPEN	NONE	NONE		
93466-1542	94006-0006 ZEUS	NONE	a b e f		OPEN	OPEN	NONE	NONE		

6 CIRCUIT								
PART NUMBER	HOUSING USED	TERMINAL VOID POSITION	REMOVED POSITION KEYS	CONFIGURATION	FIRST ENDWALL	LAST ENDWALL	POLARIZING RIB BETWEEN	COLOUR STRIPE
93466-1501	93464-0006	NONE	c d		OPEN	OPEN	NONE	NONE
93466-1502	93464-0006	NONE	NONE		OPEN	OPEN	NONE	NONE
93466-1504	93464-0026	CCT 2,5	NONE		CLOSED	CLOSED	NONE	NONE
93466-1505	93464-0206	NONE	NONE		OPEN	OPEN	BETWEEN CCT 2&3	NONE
93466-1506	93464-0006	CCT 2,4	NONE		OPEN	OPEN	NONE	NONE
93466-1507	93464-0006	NONE	c e g		OPEN	OPEN	NONE	NONE
93466-1508	93464-0006	NONE	d f		OPEN	OPEN	NONE	NONE
93466-1509	93464-0026	NONE	c d		CLOSED	CLOSED	NONE	NONE
93466-1510	93464-0006	CCT 2,5	NONE		OPEN	OPEN	NONE	NONE
93466-1511	93464-0006	NONE	c e		OPEN	OPEN	NONE	NONE
93466-1512	93464-0006	NONE	e f		OPEN	OPEN	NONE	NONE
93466-1513	93464-0006	NONE	c e g		OPEN	OPEN	NONE	NONE
93466-1514	93464-0006	NONE	a f		OPEN	OPEN	NONE	NONE
93466-1515	93464-0046	CCT 2,5	NONE		OPEN	CLOSED	NONE	NONE
93466-1516	93464-0046	NONE	c d		OPEN	CLOSED	NONE	NONE

NOTES

- + DENOTES TERMINAL VOIDED POSITION
⊕ DENOTES TERMINAL LOADED POSITION
| DENOTES POLARIZING RIB POSITION
- MOLEX HOUSING NO. FOR REFERENCE ONLY

THIS DRAWING CONTAINS INFORMATION THAT IS PROPRIETARY TO MOLEX ELECTRONIC TECHNOLOGIES, LLC AND SHOULD NOT BE USED WITHOUT WRITTEN PERMISSION									
DIMENSION UNITS		SCALE		CURRENT REV DESC: UPDATED NOTE 5					
mm		1:1							
GENERAL TOLERANCES (UNLESS SPECIFIED)				<p>molex</p> <p>APPLI-MATE 2.5 FEMALE G.W.T. 750 AND 850 VERSION GF MATERIAL</p> <p>PRODUCT CUSTOMER DRAWING</p> <p>DOCUMENT NUMBER: 934660001 DOC TYPE: PSD DOC PART: 000 REVISION: AF</p>					
ANGULAR TOL		± 0.5°							
4 PLACES		±							
3 PLACES		± 0.05							
2 PLACES		± 0.1							
1 PLACE		± 0.2		INITIAL REVISION:		2016/01/11		2016/02/09	
0 PLACES		±		DRWN: CFISHER01		2016/01/11		2016/02/09	
DRAFT WHERE APPLICABLE MUST REMAIN WITHIN DIMENSIONS		THIRD ANGLE PROJECTION		DRAWING		SERIES		MATERIAL NUMBER	
				A2-SIZE		93466		SEE SHEETS 5-11	
				GENERAL MARKET				8 OF 11	

7 CIRCUIT								
PART NUMBER	HOUSING USED	TERMINAL VOID POSITION	REMOVED POSITION KEYS	CONFIGURATION	FIRST ENDWALL	LAST ENDWALL	POLARIZING RIB BETWEEN	COLOUR STRIPE
93466-2001	93464-0007	NONE	NONE		OPEN	OPEN	NONE	NONE
93466-2022	93464-0207	NONE	NONE		OPEN	OPEN	BETWEEN CCT 2&3	BLUE
93466-2023	93464-0007	CCT 2,3,4,6	NONE		OPEN	OPEN	NONE	NONE
93466-2024	93464-0207	NONE	a b c d		OPEN	OPEN	BETWEEN CCT 2&3	NONE
93466-2025	93464-0247	NONE	NONE		OPEN	CLOSED	BETWEEN CCT 2&3	BLUE
93466-2026	93464-0007	NONE	b c d e f g		OPEN	OPEN	NONE	NONE
93466-2027	93464-0007	NONE	a b d e g h		OPEN	OPEN	NONE	NONE
93466-2028	94006-0007 ZEUS	NONE	NONE		OPEN	OPEN	NONE	NONE
93466-2029	93464-0007	CCT 4	NONE		OPEN	OPEN	NONE	NONE
93466-2030	94006-0007 ZEUS	NONE	b c d e f g		OPEN	OPEN	NONE	NONE
93466-2031	94006-0007 ZEUS	NONE	b c d e g		OPEN	OPEN	NONE	NONE
93466-2032	94006-0007 ZEUS	NONE	a b d e g h		OPEN	OPEN	NONE	NONE
93466-2033	94006-0207 ZEUS	NONE	NONE		OPEN	OPEN	BETWEEN CCT2&3	NONE
93466-2034	93464-0007	NONE	a h		OPEN	OPEN	NONE	NONE
93466-2035	94006-0007 ZEUS	NONE	c d e		OPEN	OPEN	NONE	NONE
93466-2036	93464-1807	CCT 4	NONE		OPEN	OPEN	BETWEEN CCT3&4 - 4&5	NONE
93466-2037	94006-0027 ZEUS	NONE	NONE		CLOSED	CLOSED	NONE	NONE
93466-2038	94006-0007 ZEUS	NONE	a b f g h		OPEN	OPEN	NONE	NONE
93466-2039	93464-0007	NONE	a c d e h		OPEN	OPEN	NONE	NONE
93466-2040	93464-0007	NONE	b c f g		OPEN	OPEN	NONE	NONE

8 CIRCUIT								
PART NUMBER	HOUSING USED	TERMINAL VOID POSITION	REMOVED POSITION KEYS	CONFIGURATION	FIRST ENDWALL	LAST ENDWALL	POLARIZING RIB BETWEEN	COLOUR STRIPE
93466-2505	93464-0108	NONE	NONE		OPEN	OPEN	BETWEEN CCT 1&2	NONE
93466-2506	93464-0308	NONE	NONE		OPEN	OPEN	BETWEEN CCT 3&4	NONE
93466-2507	93464-0008	CCT 5,7	NONE		OPEN	OPEN	NONE	NONE
93466-2508	93464-0088	CCT 5,7	NONE		NARROW	OPEN	NONE	NONE
93466-2509	93464-0008	NONE	b c d h i		OPEN	OPEN	NONE	NONE
93466-2510	93464-0368	NONE	NONE		CLOSED	OPEN	BETWEEN CCT 3&4	NONE
93466-2511	93464-0508	NONE	a b c d		OPEN	OPEN	BETWEEN CCT 5&6	NONE
93466-2512	93464-9905	CCT 5,7	b c d		NARROW FLUSH	OPEN	NONE	NONE
93466-2513	93464-0648	CCT 5,7	b c d		OPEN	CLOSED	BETWEEN CCT 6&7	NONE
93466-2514	94006-0008 ZEUS	NONE	NONE		OPEN	OPEN	NONE	NONE
93466-2515	94006-0608 ZEUS	NONE	NONE		OPEN	OPEN	BETWEEN CCT 6&7	NONE
93466-2516	94006-0708 ZEUS	NONE	NONE		OPEN	OPEN	BETWEEN CCT 7&8	NONE
93466-2517	94006-0008 ZEUS	NONE	b c d e f g		OPEN	OPEN	NONE	NONE
93466-2518	94006-0008 ZEUS	NONE	a c d e f g i		OPEN	OPEN	NONE	NONE
93466-2519	94006-0008 ZEUS	NONE	a b d e f h i		OPEN	OPEN	NONE	NONE
93466-2520	94006-0008 ZEUS	NONE	c d e f g		OPEN	OPEN	NONE	NONE
93466-2521	94006-0208 ZEUS	NONE	NONE		OPEN	OPEN	BETWEEN CCT2&3	NONE
93466-2522	94006-0028 ZEUS	NONE	NONE		CLOSED	CLOSED	NONE	NONE
93466-2523	94006-1308 ZEUS	NONE	NONE		OPEN	OPEN	BETWEEN CCT1&2 - 7&8	NONE
93466-2524	94006-0008 ZEUS	NONE	b c d e f g h		OPEN	OPEN	NONE	NONE
93466-2525	94006-0328 ZEUS	NONE	NONE		CLOSED	CLOSED	BETWEEN CCT 3&4	NONE

8 CIRCUIT								
PART NUMBER	HOUSING USED	TERMINAL VOID POSITION	REMOVED POSITION KEYS	CONFIGURATION	FIRST ENDWALL	LAST ENDWALL	POLARIZING RIB BETWEEN	COLOUR STRIPE
93466-2501	93464-0008	NONE	c h i		OPEN	OPEN	NONE	NONE
93466-2502	93464-0008	CCT 2	NONE		OPEN	OPEN	NONE	NONE
93466-2503	93464-0008	CCT 2,4	NONE		OPEN	OPEN	NONE	NONE
93466-2504	93464-0068	CCT 5,7	NONE		CLOSED	OPEN	NONE	NONE

THIS DRAWING CONTAINS INFORMATION THAT IS PROPRIETARY TO MOLEX ELECTRONIC TECHNOLOGIES, LLC AND SHOULD NOT BE USED WITHOUT WRITTEN PERMISSION

DIMENSION UNITS	SCALE	CURRENT REV DESC: UPDATED NOTE 5		molex			
mm	1:1						
GENERAL TOLERANCES (UNLESS SPECIFIED)		EC NO: 620677		APPLI-MATE 2.5 FEMALE			
ANGULAR TOL	± 0.5°	DRWN: CFISHER01 2019/07/15		G.W.T. 750 AND 850 VERSION GF MATERIAL			
4 PLACES	±	CHK'D: TCLEARY 2019/07/18		PRODUCT CUSTOMER DRAWING			
3 PLACES	± 0.05	APPR: BRUTTLE 2019/08/28		DOCUMENT NUMBER			
2 PLACES	± 0.1	INITIAL REVISION:		934660001			
1 PLACE	± 0.2	DRWN: CFISHER01 2016/01/11		DOC TYPE		DOC PART	
0 PLACES	±	APPR: MSHANAHAN 2016/02/09		PSD		000	
DRAFT WHERE APPLICABLE MUST REMAIN WITHIN DIMENSIONS		THIRD ANGLE PROJECTION		DRAWING		SERIES	
				A2-SIZE		93466	
				MATERIAL NUMBER		CUSTOMER	
				SEE SHEETS 5-11		GENERAL MARKET	
						SHEET NUMBER	
						9 OF 11	

9 CIRCUIT								
PART NUMBER	HOUSING USED	TERMINAL VOID POSITION	REMOVED POSITION KEYS	CONFIGURATION	FIRST ENDWALL	LAST ENDWALL	POLARIZING RIB BETWEEN	COLOUR STRIPE
93466-3001	93464-0009	NONE	NONE		OPEN	OPEN	NONE	NONE
93466-3002	93464-0009	CCT 3, 5, 8	NONE		OPEN	OPEN	NONE	BLUE
93466-3003	94006-0009 (ZEUS)	CCT 3, 5, 8	c d e i j		OPEN	OPEN	NONE	BLUE
93466-3004	93464-0369	NONE	NONE		CLOSED	OPEN	BETWEEN CCT 3&4	NONE
93466-3005	93464-0209	NONE	NONE		OPEN	OPEN	BETWEEN CCT 2&3	NONE
93466-3006	94006-0009 (ZEUS)	NONE	b c d e f g h i		OPEN	OPEN	NONE	NONE
93466-3007	94006-0009 (ZEUS)	NONE	NONE		OPEN	OPEN	NONE	NONE
93466-3008	94006-0009 (ZEUS)	NONE	a c d e f g h j		OPEN	OPEN	NONE	NONE
93466-3009	94006-0009 (ZEUS)	CCT 3, 5, 8	NONE		OPEN	OPEN	NONE	BLUE
93466-3010	93464-0009	NONE	a j		OPEN	OPEN	NONE	NONE
93466-3011	94006-0009 (ZEUS)	NONE	d f g		OPEN	OPEN	NONE	NONE
93466-3012	94006-0029 (ZEUS)	NONE	NONE		CLOSED	CLOSED	NONE	NONE

10 CIRCUIT								
PART NUMBER	HOUSING USED	TERMINAL VOID POSITION	REMOVED POSITION KEYS	CONFIGURATION	FIRST ENDWALL	LAST ENDWALL	POLARIZING RIB BETWEEN	COLOUR STRIPE
93466-3510	93464-0010	CCT 2,6,9	NONE		OPEN	OPEN	NONE	NONE
93466-3501	93464-0010	NONE	NONE		OPEN	OPEN	NONE	NONE
93466-3502	93464-0210	NONE	a j		OPEN	OPEN	BETWEEN CCT 2&3	BLUE
93466-3503	93464-0210	NONE	a b c d		OPEN	OPEN	BETWEEN CCT 2&3	NONE
93466-3504	93464-0010	NONE	b c d e f g h i j		OPEN	OPEN	NONE	NONE
93466-3505	94006-0010 (ZEUS)	NONE	NONE		OPEN	OPEN	NONE	NONE
93466-3506	94006-0110 (ZEUS)	NONE	NONE		OPEN	OPEN	BETWEEN CCT 1&2	NONE
93466-3507	94006-0010 (ZEUS)	NONE	b c d e f g h i j		OPEN	OPEN	NONE	NONE
93466-3508	94006-0010 (ZEUS)	CCT 2,5,7,9	b c d e f g h i j		OPEN	OPEN	NONE	BLUE
93466-3509	94006-0010 (ZEUS)	NONE	c d f g i		OPEN	OPEN	NONE	NONE
93466-3511	94006-0030 (ZEUS)	NONE	NONE		CLOSED	CLOSED	NONE	NONE
93466-3512	94006-0010 (ZEUS)	NONE	c d e f g h i		OPEN	OPEN	NONE	NONE
93466-3513	93464-0010	NONE	a b c d e f g h i j k (all)		OPEN	OPEN	NONE	NONE
93466-3514	93464-0010	NONE	b c d e f		OPEN	OPEN	NONE	NONE
93466-3515	94006-0010	NONE	b c d e f		OPEN	OPEN	NONE	NONE

11 CIRCUIT								
PART NUMBER	HOUSING USED	TERMINAL VOID POSITION	REMOVED POSITION KEYS	CONFIGURATION	FIRST ENDWALL	LAST ENDWALL	POLARIZING RIB BETWEEN	COLOUR STRIPE
93466-4001	93464-0011	NONE	NONE		OPEN	OPEN	NONE	NONE
93466-4002	93464-0511	NONE	a b c d		OPEN	OPEN	BETWEEN CCT 5&6	NONE
93466-4003	94006-0011 (ZEUS)	NONE	NONE		OPEN	OPEN	NONE	NONE
93466-4004	94006-0911 (ZEUS)	NONE	b c d e f g h i j k		OPEN	OPEN	BETWEEN CCT 9&10	NONE

12 CIRCUIT								
PART NUMBER	HOUSING USED	TERMINAL VOID POSITION	REMOVED POSITION KEYS	CONFIGURATION	FIRST ENDWALL	LAST ENDWALL	POLARIZING RIB BETWEEN	COLOUR STRIPE
93466-4501	93464-1132	NONE	NONE		CLOSED	CLOSED	BETWEEN CCT 11&12	NONE
93466-4502	93464-1632	CCT 9,11	b c d g h i		CLOSED	CLOSED	BETWEEN CCT 2&3, 10&11	NONE
93466-4503	93464-0012	CCT 2,11	NONE		OPEN	OPEN	NONE	NONE
93466-4504	94006-0012 (ZEUS)	NONE	NONE		OPEN	OPEN	NONE	NONE
93466-4505	93464-1632	NONE	b c d g h i		CLOSED	CLOSED	BETWEEN CCT 2&3, 10&11	NONE
93466-4506	94006-0072 (ZEUS)	NONE	NONE		CLOSED	OPEN	NONE	NONE

13 CIRCUIT								
PART NUMBER	HOUSING USED	TERMINAL VOID POSITION	REMOVED POSITION KEYS	CONFIGURATION	FIRST ENDWALL	LAST ENDWALL	POLARIZING RIB BETWEEN	COLOUR STRIPE
93466-5001	93464-0013	NONE	NONE		OPEN	OPEN	NONE	NONE
93466-5002	93464-0233	NONE	NONE		CLOSED	CLOSED	BETWEEN CCT 2&3	NONE
93466-5003	94006-0053 (ZEUS)	NONE	NONE		OPEN	CLOSED	NONE	NONE
93466-5004	94006-0033 (ZEUS)	NONE	NONE		CLOSED	CLOSED	NONE	NONE

THIS DRAWING CONTAINS INFORMATION THAT IS PROPRIETARY TO MOLEX ELECTRONIC TECHNOLOGIES, LLC AND SHOULD NOT BE USED WITHOUT WRITTEN PERMISSION

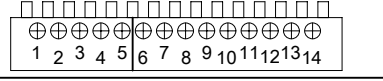
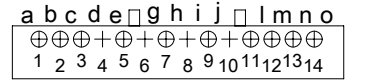
DIMENSION UNITS	SCALE	CURRENT REV DESC: UPDATED NOTE 5	
mm	1:1		
GENERAL TOLERANCES (UNLESS SPECIFIED)		EC NO: 620677	
ANGULAR TOL	± 0.5°	DRWN: CFISHER01	2019/07/15
4 PLACES	±	CHK'D: TCLEARY	2019/07/18
3 PLACES	± 0.05	APPR: BRUTTLE	2019/08/28
2 PLACES	± 0.1	INITIAL REVISION:	
1 PLACE	± 0.2	DRWN: CFISHER01	2016/01/11
0 PLACES	±	APPR: MSHANAHAN	2016/02/09
DRAFT WHERE APPLICABLE MUST REMAIN WITHIN DIMENSIONS	THIRD ANGLE PROJECTION	DRAWING	SERIES
		A2-SIZE	93466
MATERIAL NUMBER		CUSTOMER	SHEET NUMBER
SEE SHEETS 5-11		GENERAL MARKET	10 OF 11

APPLI-MATE 2.5 FEMALE
G.W.T. 750 AND 850 VERSION GF MATERIAL

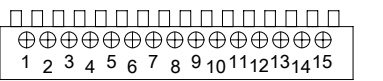
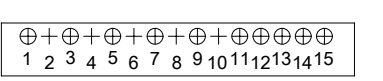
PRODUCT CUSTOMER DRAWING

DOCUMENT NUMBER: 934660001 DOC TYPE: PSD DOC PART: 000 REVISION: AF

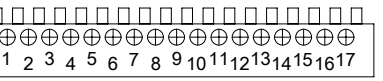
14 CIRCUIT

PART NUMBER	HOUSING USED	TERMINAL VOID POSITION	REMOVED POSITION KEYS	CONFIGURATION	FIRST ENDWALL	LAST ENDWALL	POLARIZING RIB BETWEEN	COLOUR STRIPE
93466-5501	93464-0534	NONE	NONE		CLOSED	CLOSED	BETWEEN CCT 5&6	NONE
93466-5502	94006-0014 ZEUS	4, 6, 8, 10	abcdefghijklmnop mno		OPEN	OPEN	NONE	NONE

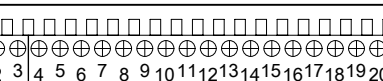
15 CIRCUIT


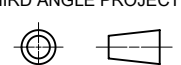
PART NUMBER	HOUSING USED	TERMINAL VOID POSITION	REMOVED POSITION KEYS	CONFIGURATION	FIRST ENDWALL	LAST ENDWALL	POLARIZING RIB BETWEEN	COLOUR STRIPE
93466-6001	93464-0015	NONE	NONE		OPEN	OPEN	NONE	NONE
93466-6002	94006-0015 ZEUS	2, 4, 6, 8, 10	ALL		OPEN	OPEN	NONE	NONE

17 CIRCUIT

PART NUMBER	HOUSING USED	TERMINAL VOID POSITION	REMOVED POSITION KEYS	CONFIGURATION	FIRST ENDWALL	LAST ENDWALL	POLARIZING RIB BETWEEN	COLOUR STRIPE
93466-7001	94006-0037 (ZEUS)	NONE	NONE		CLOSED	CLOSED	NONE	NONE

20 CIRCUIT

PART NUMBER	HOUSING USED	TERMINAL VOID POSITION	REMOVED POSITION KEYS	CONFIGURATION	FIRST ENDWALL	LAST ENDWALL	POLARIZING RIB BETWEEN	COLOUR STRIPE
93466-8501	94006-0380 (ZEUS)	NONE	NONE		CLOSED	OPEN	BETWEEN CCT 3&4	NONE

THIS DRAWING CONTAINS INFORMATION THAT IS PROPRIETARY TO MOLEX ELECTRONIC TECHNOLOGIES, LLC AND SHOULD NOT BE USED WITHOUT WRITTEN PERMISSION									
DIMENSION UNITS	SCALE	CURRENT REV DESC: UPDATED NOTE 5							
mm	1:1								
GENERAL TOLERANCES (UNLESS SPECIFIED)		EC NO: 620677				APPLI-MATE 2.5 FEMALE G.W.T. 750 AND 850 VERSION GF MATERIAL			
ANGULAR TOL ± 0.5°		DRWN: CFISHER01 2019/07/18							
4 PLACES ±		CHK'D: TCLEARY 2019/07/18				PRODUCT CUSTOMER DRAWING			
3 PLACES ± 0.05		APPR: BRUTTLE 2019/08/28							
2 PLACES ± 0.1		INITIAL REVISION:				DOCUMENT NUMBER 934660001			
1 PLACE ± 0.2		DRWN: CFISHER01 2016/01/11							
0 PLACES ±		APPR: MSHANAHAN 2016/02/09				DOC TYPE DOC PART REVISION PSD 000 AF			
DRAFT WHERE APPLICABLE MUST REMAIN WITHIN DIMENSIONS		THIRD ANGLE PROJECTION	DRAWING	SERIES	MATERIAL NUMBER				
			A2-SIZE	93466	SEE SHEETS 5-11	GENERAL MARKET	11 OF 11		