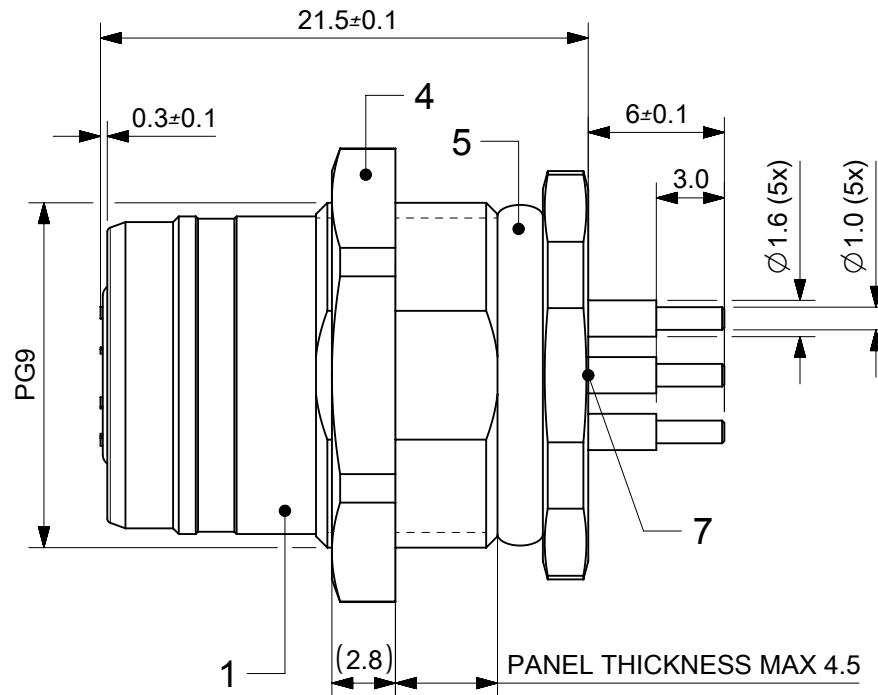
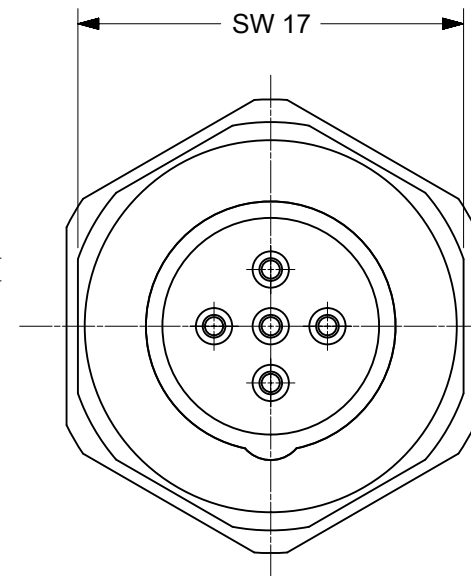


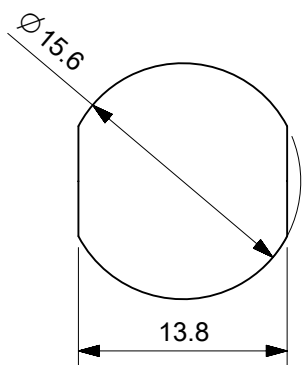
VIEW FROM THE FRONT SIDE



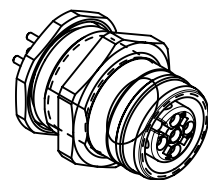
PANEL THICKNESS MAX 4.5



VIEW FROM THE BACK SIDE



PANEL CUTOUT



SCALE 1:1

BILL OF MATERIALS

ENG. No: WR5J400013

ITEM	QTY.	DESCRIPTION	MATERIAL	FINISH/COLOR
7	-	POTTING MATERIAL	WEVO	-
6	1	GASKET 7.1x1.35	FPM	RED
5	1	O-RING	NBR	BLACK
4	1	LOCKNUT PG9	BRASS	NICKEL
3	5	CONTACT FE	BRASS	GOLD OVER NICKEL PLATED
2	1	INSERT U12 FE 5P	PUR	BLACK
1	1	M12 REC SHELL FE PG9 ULOCK	BRASS	NICKEL PLATED

THIS DRAWING CONTAINS INFORMATION THAT IS PROPRIETARY TO MOLEX ELECTRONIC TECHNOLOGIES, LLC AND SHOULD NOT BE USED WITHOUT WRITTEN PERMISSION										
SYMBOLS		DIMENSION UNITS		SCALE		CURRENT REV DESC:				
∇ = 0	mm	2:1	EC NO: 603232							
E = 0	GENERAL TOLERANCES (UNLESS SPECIFIED)		DRWN: MKOWALCZYK01 2018/08/17							
F = 0	ANGULAR TOL ± °		CHK'D: MIWASIECZKO 2018/08/22							
S = 0	4 PLACES ±		APPR: MIWASIECZKO 2018/08/22							
▼ = 0	3 PLACES ±		INITIAL REVISION:							
∇ = 0	2 PLACES ±		DRWN: MKOWALCZYK01 2018/08/17				DOCUMENT NUMBER		DOC TYPE DOC PART REVISION	
⊠ = 0	1 PLACE ±		APPR: MIWASIECZKO 2018/08/22				1200845111		PSD 000 A	
■ = 0	0 PLACES ±		DRAFT WHERE APPLICABLE MUST REMAIN WITHIN DIMENSIONS		THIRD ANGLE PROJECTION		DRAWING		SERIES	
∇ = 0					A4-SIZE		120084		MATERIAL NUMBER	
							1200845111		CUSTOMER	
							GENERAL MARKET		SHEET NUMBER	
									1 OF 1	