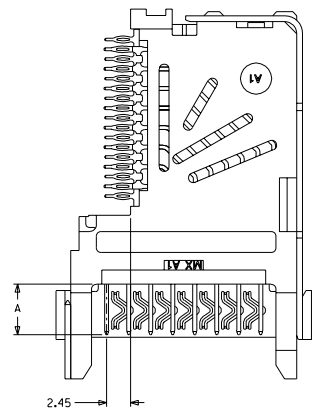
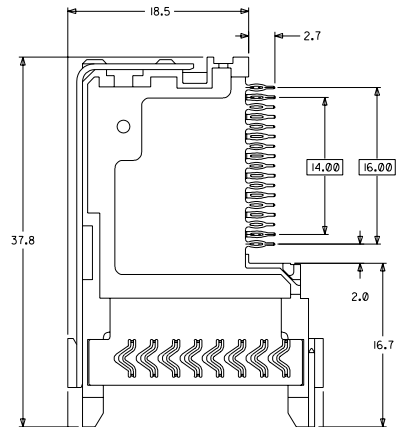
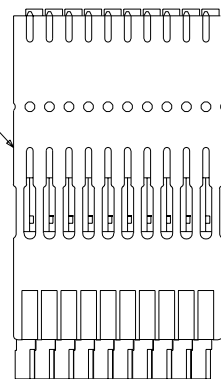


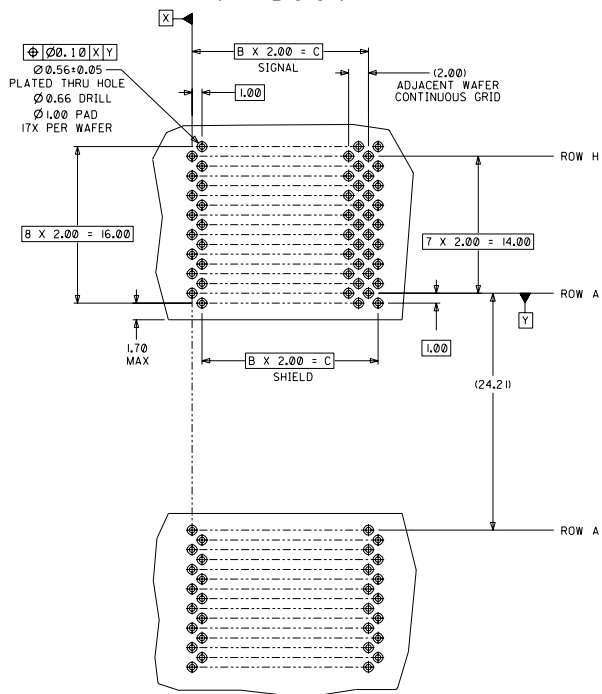
- NOTES:
 1. MATERIALS: HOUSING-LIQUID CRYSTAL POLYMER (LCP),
 COLOR: BLACK OR GRAY (SEE CHART).
 TERMINALS AND SHIELD: HIGH PERFORMANCE COPPER ALLOY.
 2. FINISH: SELECTIVE GOLD (Au) IN CONTACT AREA, 0.00127mm
 (50 MICROINCHES) MINIMUM OR 0.00076mm
 (30 MICROINCHES) MINIMUM--SEE CHART--
 SELECTIVE TIN/LEAD (SnPb)
 IN TAIL AREA; NICKEL (Ni) OVERALL.
 3. SIGNAL WAFERS SUPPLIED ON A STAINLESS STEEL STIFFENER
 WITH A STAINLESS STEEL ALIGNMENT STRIP.
 CONFIGURATIONS ARE CUSTOM PER ASSEMBLY. CONSULT
 FACTORY FOR DETAILS.



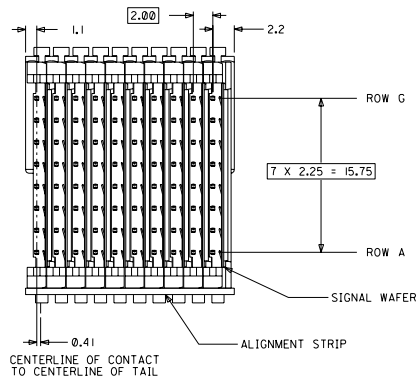
STIFFENER



MALE HOLE PATTERN
 (CONNECTOR SIDE)
 (10 WAFERS SHOWN)



RECEPTACLE HOLE PATTERN
 (CONNECTOR SIDE)



PART NUMBER	DIM A	HOUSING COLOR	GOLD PLATING (MICROINCHES)
75 166-1000	5.15	BLACK	30
75 166-1500	5.15	GRAY	50
75 166-2000	ROW A & H 4.75	BLACK	30
	ROW B-G 5.15		
75 166-2500	ROW A & H 4.75	GRAY	50
	ROW B-G 5.15		

EXAMPLES OF WAFER ASSEMBLIES

NUMBER OF SIGNAL WAFERS	DIM B	DIM C
10	9	18.00
25	24	48.00
50	49	98.00

RELEASED FOR PRODUCTION
 EC NO. LUCP-2003-1580
 CHRG. BINGHAM 03/02/06
 CHRG. REED 03/02/06
 APPR. BIXLER 03/02/06

QUALITY SYMBOLS
 MAJOR
 CRITICAL
 REV

GENERAL TOLERANCES: UNLESS SPECIFIED)
 SCALE 4 : 1
 DESIGN UNITS mm
 THIRD ANGLE PROJECTION
 DRAWN BY & DATE BINGHAM 03/02/05
 CHECKED BY & DATE REED 03/02/05
 APPROVED BY & DATE BIXLER 03/02/05
 CAD FILENAME S75166X1.DGN
 MATERIAL NO. SEE CHART
 DRAWING NO. SD-75166-001
 SHEET NO. 1 OF 1

TITLE: VHDM 8 ROW RIGHT ANGLE MALE SIGNAL WAFER SALES DRAWING
 MOLEX INCORPORATED
 THIS DRAWING CONTAINS INFORMATION THAT IS PROPRIETARY TO MOLEX INCORPORATED AND SHOULD NOT BE USED WITHOUT WRITTEN PERMISSION.