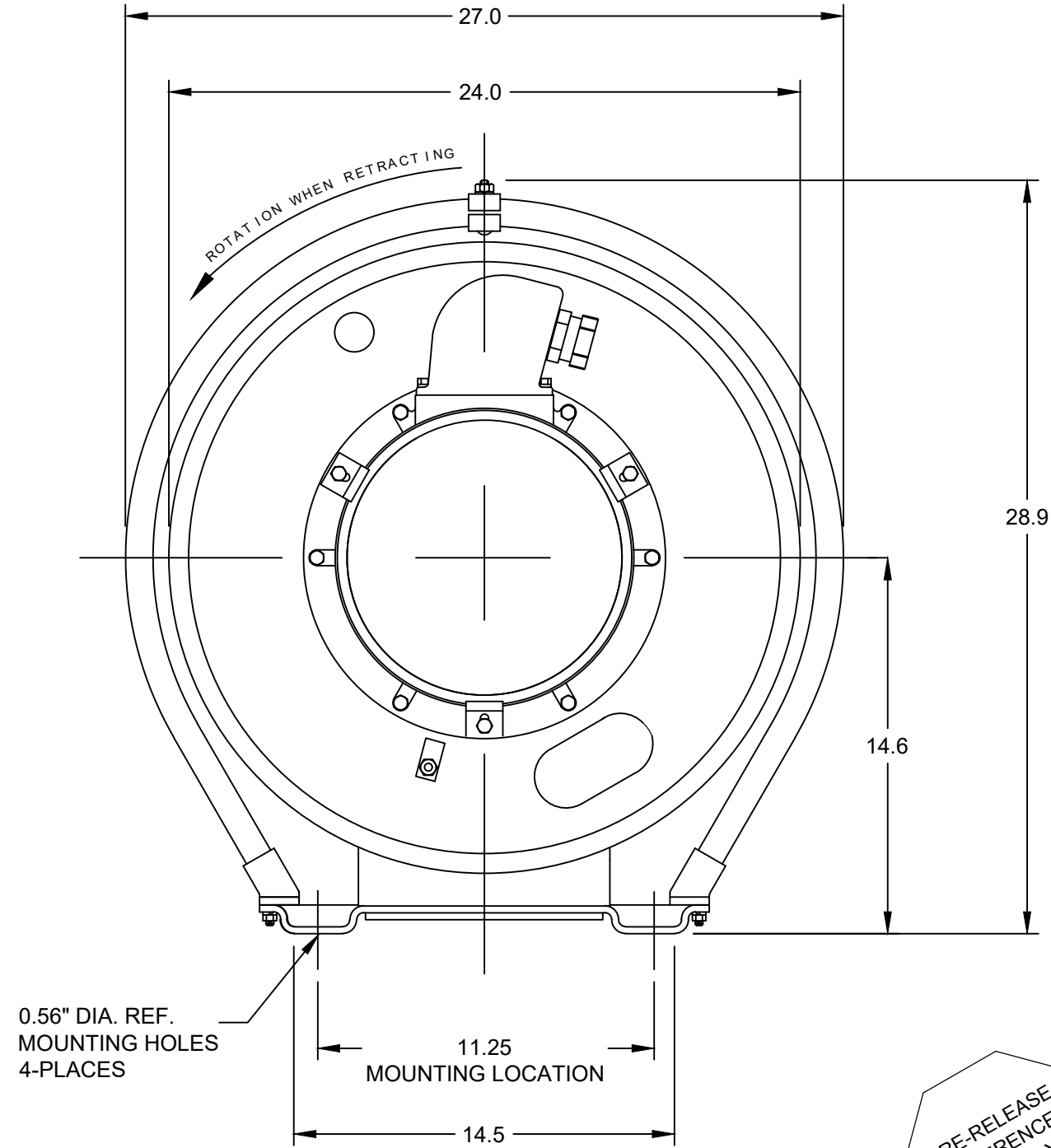
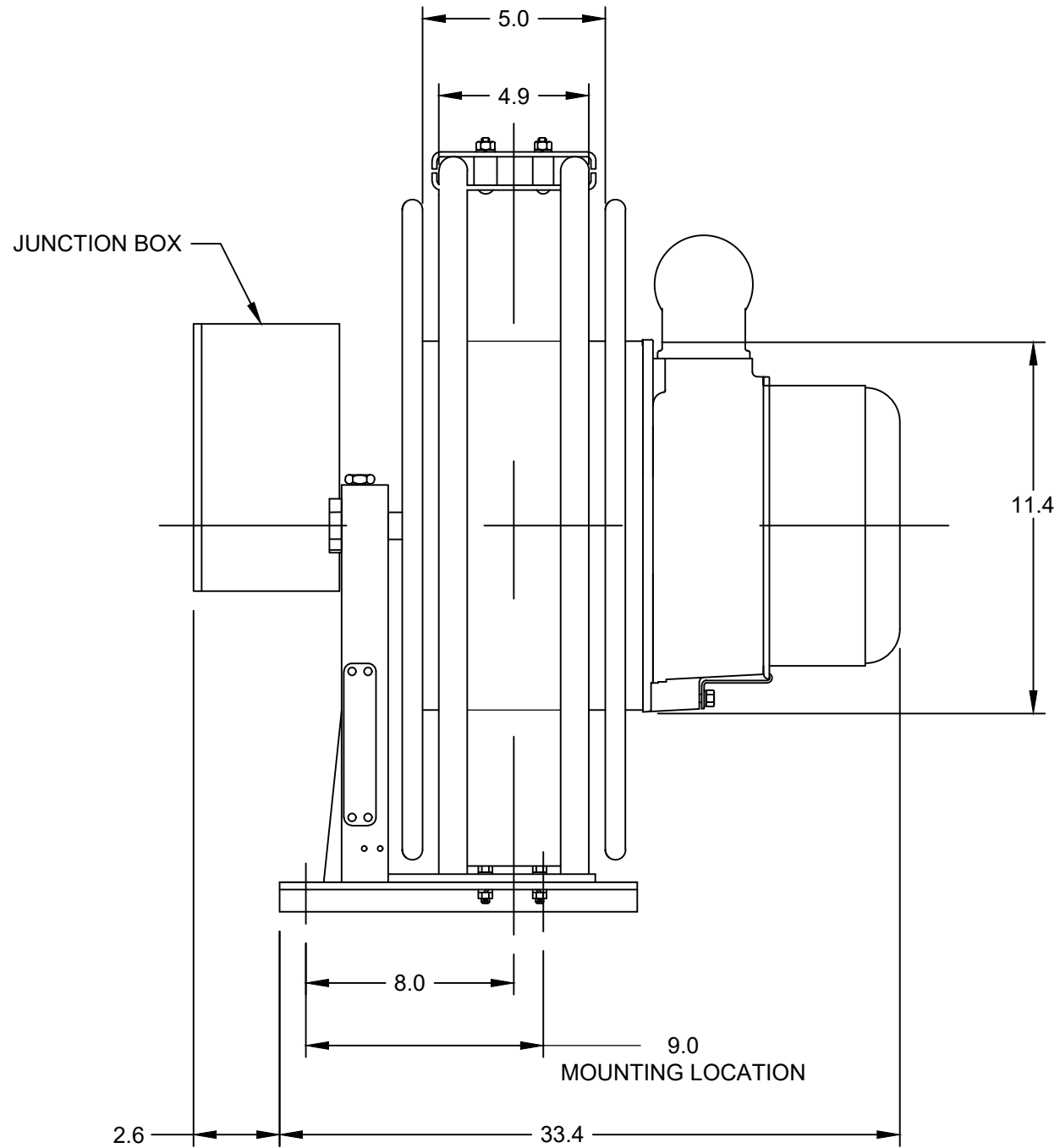


ALL DIMENSIONS ARE REFERENCE

MATERIAL #	ENGINEERING #
1300850467	125317330J5



PRE-RELEASE
REFERENCE
USE ONLY

SPECIFICATIONS:

SLIP-RING ELECTRICAL RATING: 17A, 600V
 AGENCY APPROVAL: NONE
 NOTE: ROLLER GUIDE AND PIVOT BASE NOT INCLUDED.

FUNCTIONAL SYMBOLS F=0 C=0 P=0	THIS DRAWING CONTAINS INFORMATION THAT IS PROPRIETARY TO MOLEX ELECTRONIC TECHNOLOGIES, LLC AND SHOULD NOT BE USED WITHOUT WRITTEN PERMISSION														
	DIMENSION UNITS		SCALE		CURRENT REV DESC: RELEASE CUSTOMER DRAWING. SEE EC# 641770 FOR BOM RELEASE.						molex				
	INCH		NTS												
	GENERAL TOLERANCES (UNLESS SPECIFIED)										125317330J5 CABLE REEL				
DIVISIONAL SYMBOLS	mm		INCH		EC NO: 642099		DRWN: VOU		2020/07/23						
	4 PLACES ±---		±---		CHK'D: DNGUYEN62		2020/07/31		---						
	3 PLACES ±---		±0.005		APPR: ---		---		PRODUCT CUSTOMER DRAWING						
	2 PLACES ±---		±0.01		INITIAL REVISION:		DRWN: VOU		2020/07/23						
1 PLACE ±---		±0.02		APPR: ---		---		DOCUMENT NUMBER		DOC TYPE DOC PART REVISION					
0 PLACES ±---		±---		ANGULAR TOL ± 0.5 °		---		1300850467		PSD 000 A					
DRAFT WHERE APPLICABLE MUST REMAIN WITHIN DIMENSIONS				THIRD ANGLE PROJECTION		DRAWING		SERIES		MATERIAL NUMBER		CUSTOMER		SHEET NUMBER	
						B-SIZE		130085		1300850467		---		1 OF 1	