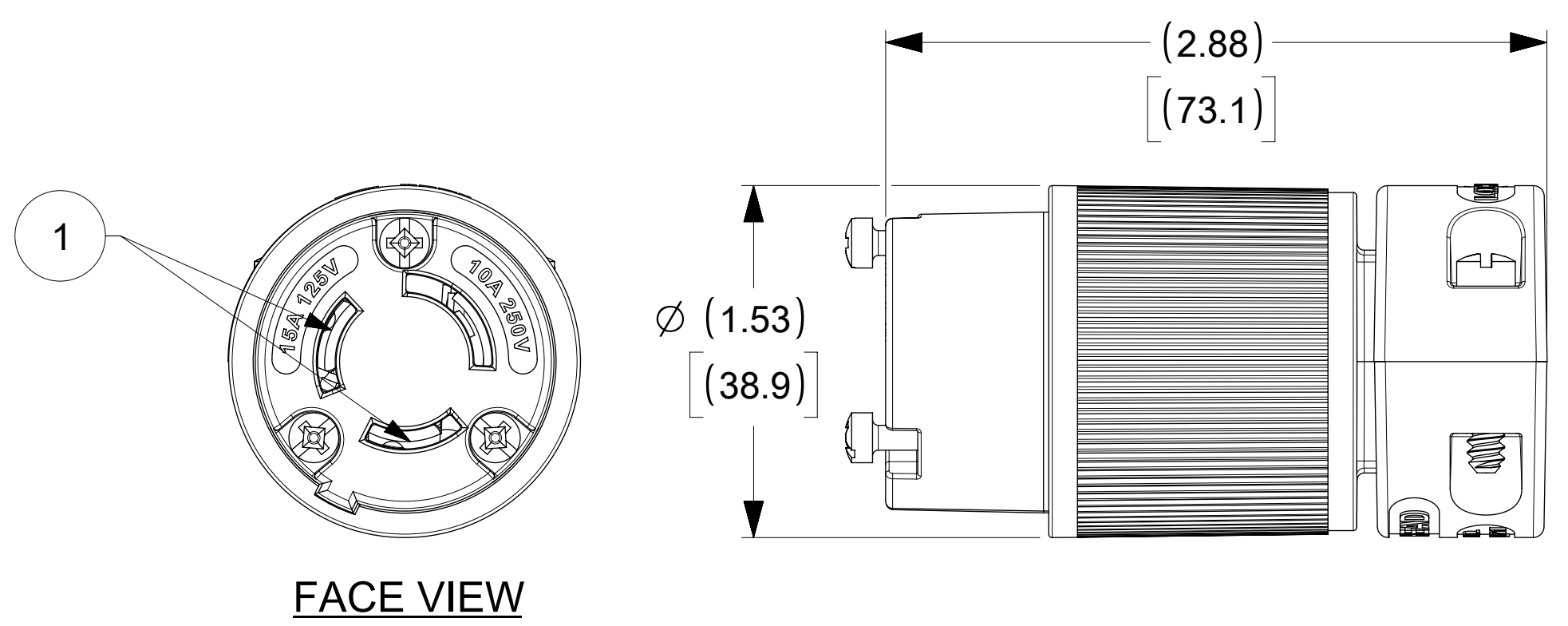
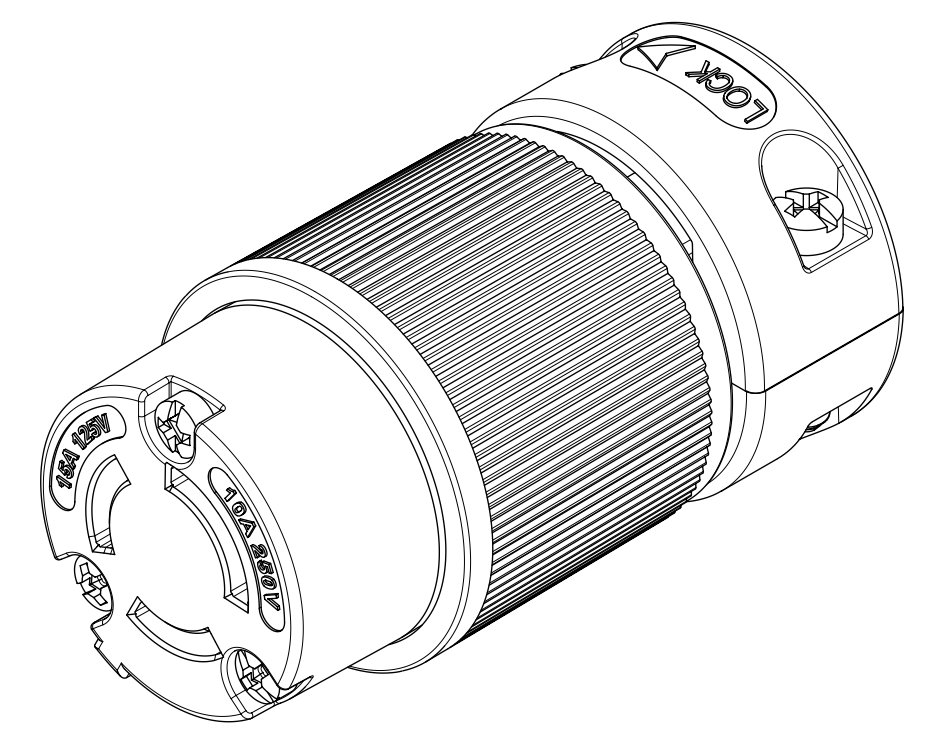
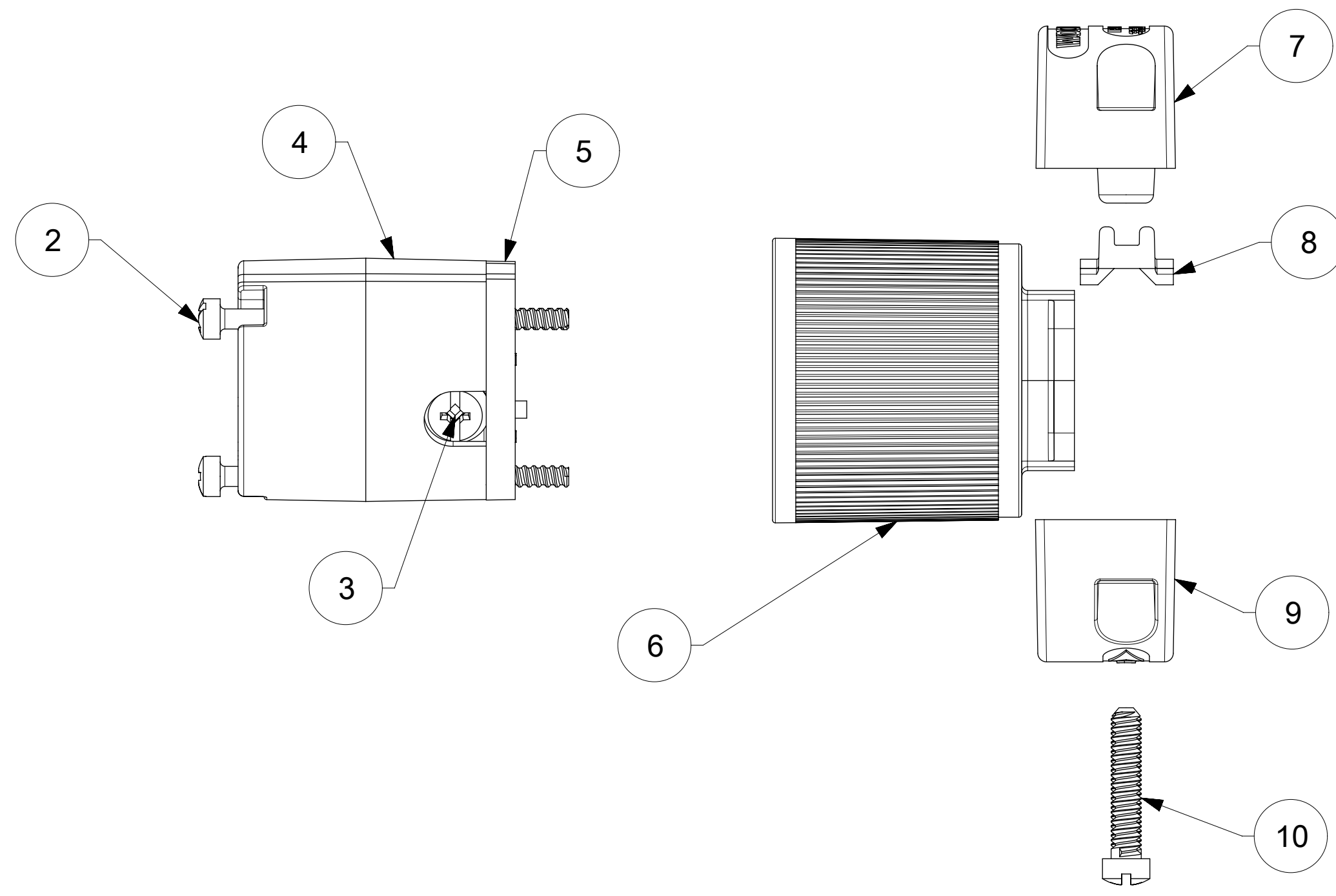
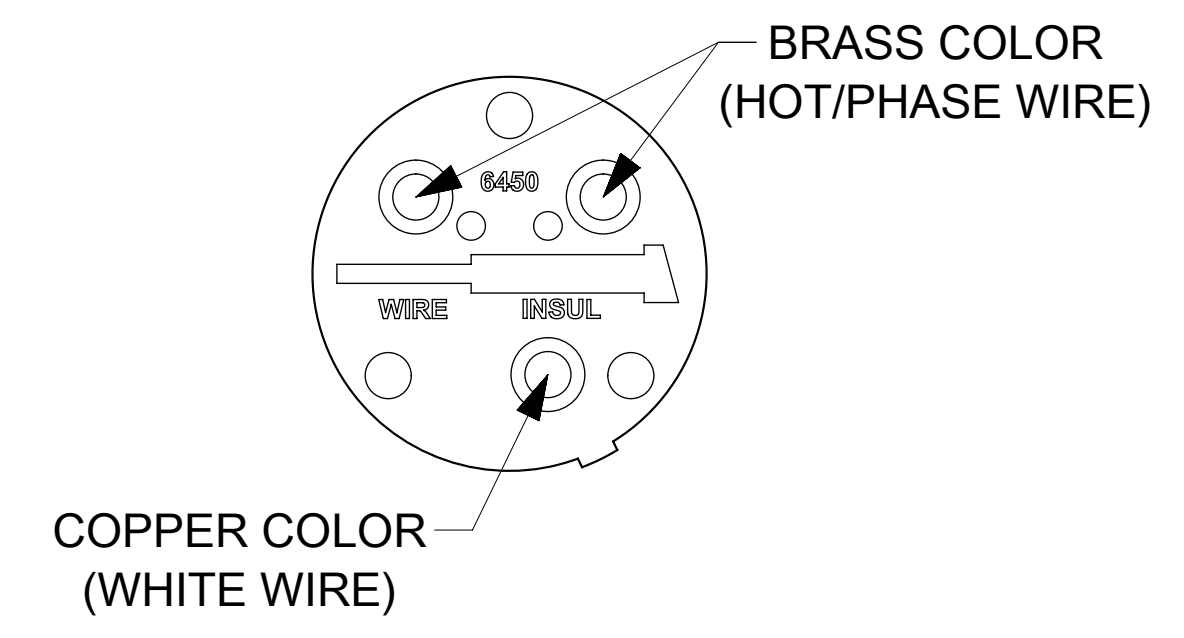


ORDER NO.	WOODHEAD NO.	COLOR
130144-0029	4739	BLACK
130144-0030	4739YL	YELLOW



WIRING TERMINATION



ITEM NO.	DESCRIPTIONS	MATERIAL	QTY.
1	BLADES	BRASS, NICKEL PLATED	3
2	RETAINING SCREWS	STAINLESS STEEL	3
3	TERMINAL SCREWS/CLAMP ASSEMBLY	BRASS, ZINC PLATED	3
4	INSERT	NYLON	1
5	TERMINAL COVER	POLYCARBONATE	1
6	HOUSING	NYLON	1
7	CLAMP CORD MALE	NYLON	1
8	CLAMP CORD INSERT	NYLON	1
9	CLAMP CORD FEMALE	NYLON	1
10	RETAINING SCREWS	STEEL, ZINC PLATED	2

THIS DRAWING CONTAINS INFORMATION THAT IS PROPRIETARY TO MOLEX ELECTRONIC TECHNOLOGIES, LLC AND SHOULD NOT BE USED WITHOUT WRITTEN PERMISSION			
DIMENSION UNITS: INCH[MM]		SCALE: NTS	
CURRENT REV DESC: NEW RELEASE			
GENERAL TOLERANCES (UNLESS SPECIFIED)		EC NO: 621724	
4 PLACES	±	MM	2019/04/02
3 PLACES	±	INCH	2019/12/02
2 PLACES	±		2020/02/05
1 PLACE	±		
0 PLACES	±		
ANGULAR TOL: ± °		DRWN: VBASUTHKARP 2019/04/02 APPR: HKNEELAND 2020/02/05	
DRAFT WHERE APPLICABLE MUST REMAIN WITHIN DIMENSIONS		THIRD ANGLE PROJECTION	DRAWING SERIES: C-SIZE 130144
DOCUMENT NUMBER: 1301440029		DOC TYPE: PSD	DOC PART: 000
MATERIAL NUMBER: SEE TABLE		CUSTOMER: GENERAL MARKET	SHEET NUMBER: 1 OF 1



SAFeway CONNECTOR 3P3W NON-NEMA LOCKING

PRODUCT CUSTOMER DRAWING