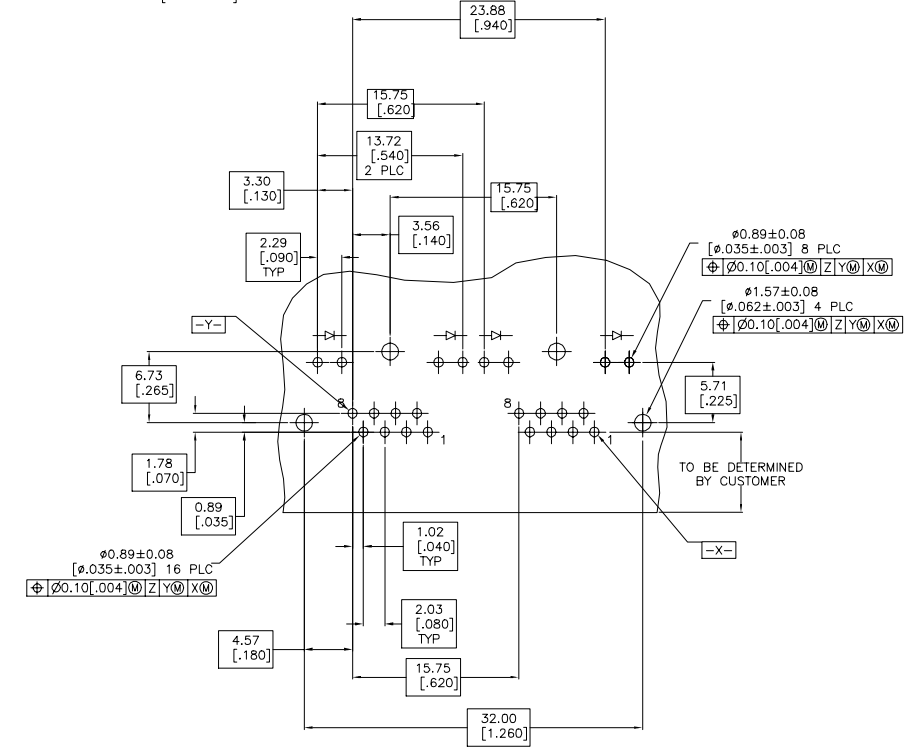
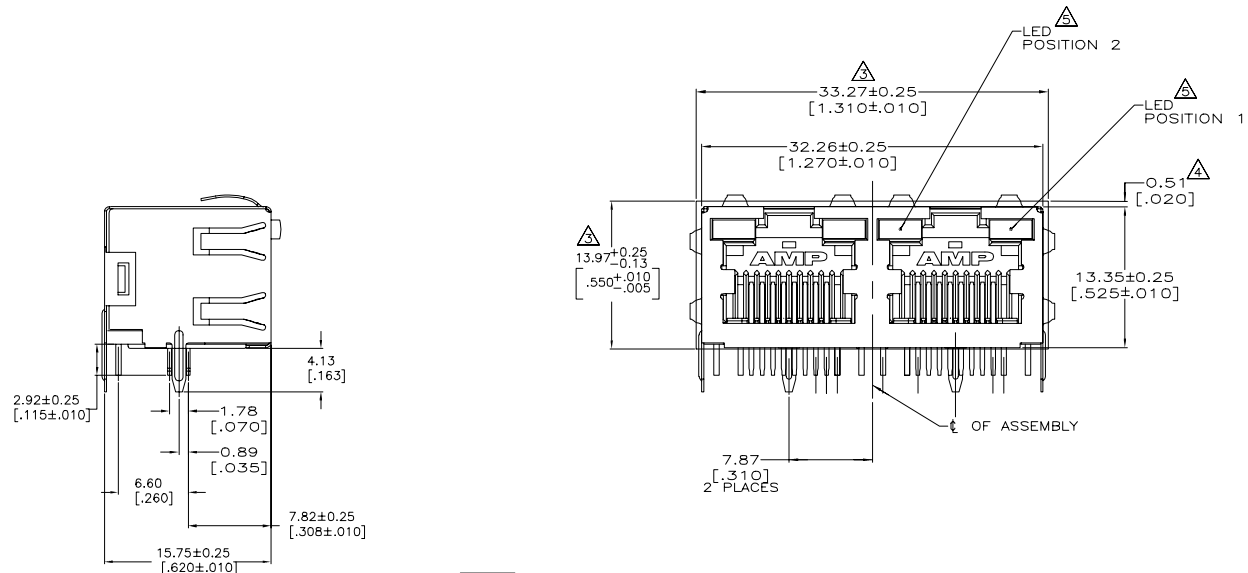


REVISIONS				
TR	LINE	DESCRIPTION	DATE	BY / APPR
C1	ECO-18-014918		27SEP2020	RR / SH



RECOMMENDED PRINTED CIRCUIT BOARD LAYOUT COMPONENT SIDE

- MATERIAL:
HOUSING - HIGH TEMPERATURE THERMOPLASTIC, COLOR: BLACK, UL94V-0
TERMINALS - 0.36[0.014] THICK PHOS BRONZE PLATED WITH 3.81µm[0.000150] MIN THICK BRIGHT TIN LEAD IN SOLDER AREA, 1.27µm[0.000050] MIN GOLD IN LOCALIZED PLATE AREA. ENTIRE TERMINAL PLATED WITH 1.27µm[0.000050] MIN THICK NICKEL.
SHIELD - 0.196[0.0077] THICK COPPER ZINC ALLOY PREPLATED WITH 1.27µm[0.000050] MIN SATIN NICKEL WITH 2.03µm[0.000080] MIN TIN POST DIPPED ON PCB GROUND TABS
LIGHT EMITTING DIODE (LED) - DIFFUSED EPOXY LENS, 0.51 X 0.51[0.020 X .020] CARBON STEEL WIREFRAME LEADS PLATED WITH 8.89µm[0.000350] TIN/COPPER OVER 2.03µm[0.000080] SILVER OVER 1.02µm[0.000040] NICKEL UNDERPLATE OVER 2.03µm[0.000080] COPPER UNDERPLATE
- JACK CAVITY CONFORMS TO FCC RULES AND REGULATIONS PART 68, SUBPART F.
- △ SUGGESTED PANEL OPENING DIMENSIONS.
- △ SUGGESTED CLEARANCE BETWEEN TOP OF CONNECTOR AND TOP PANEL OPENING.
- △ SEE TABLE FOR COLOR OF LEDS AND NUMBER REQUIRED.
- THIS MODULAR JACK WITH INTEGRATED LED IS NOT IR REFLOW SOLDERING PROCESS COMPATIBLE.

OBSELETE	GREEN	GREEN	1364173-5
OBSELETE	YELLOW	GREEN	1364173-1
	POSITION 2	POSITION 1	PART NUMBER
	INDICATOR COLOR FOR EACH HOUSING		

THIS DRAWING IS A CONTROLLED DOCUMENT.		DESIGNED BY: M. MORRIS	DATE: 02/03/20	DRWNO: 108-1163-4	REV: 0
DIMENSIONS: mm (INCHES)		APPROVED BY: D. DIXON	DATE: 02/03/20	DRWNO: 108-1163-4	REV: 0
OTHER PARTS:		PRODUCT SPEC:	APPLICATION SPEC:	SIZE: 114-2154	RESTRICTED TO: -
MATERIAL: -		FINISH: -	WEIGHT: 0	DATE CODE: A100779	DRAWING NO: C=1364173
		CUSTOMER DRAWING		SCALE: 1:1	SHEET: 1 of 1