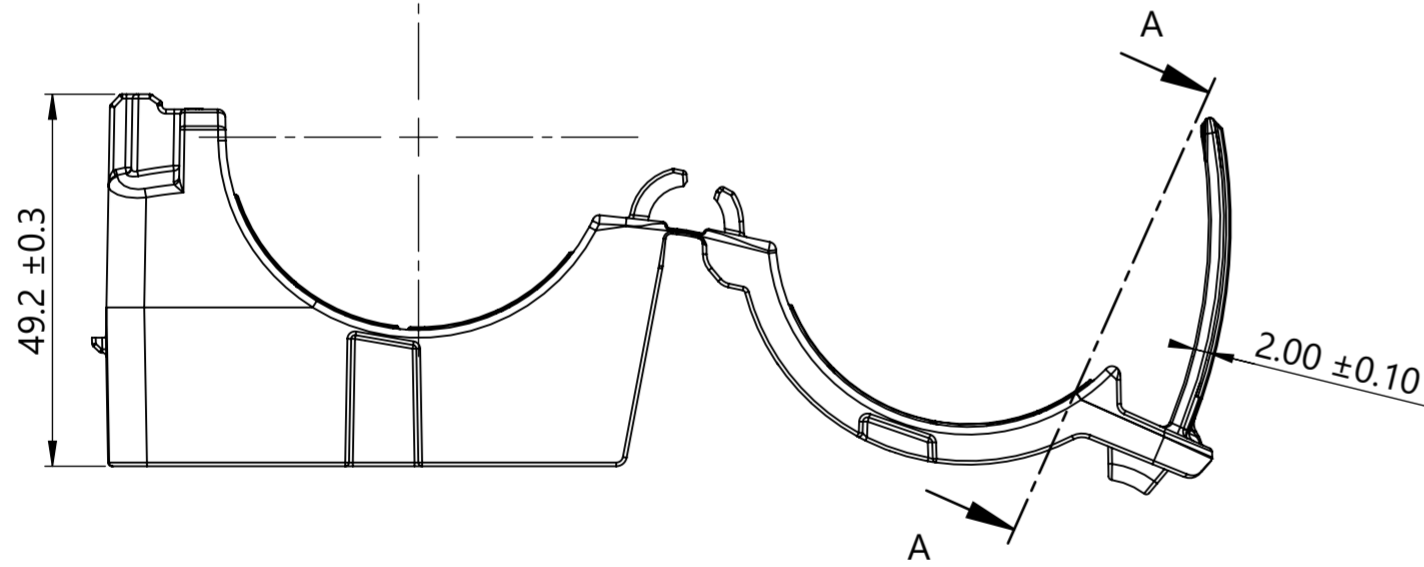
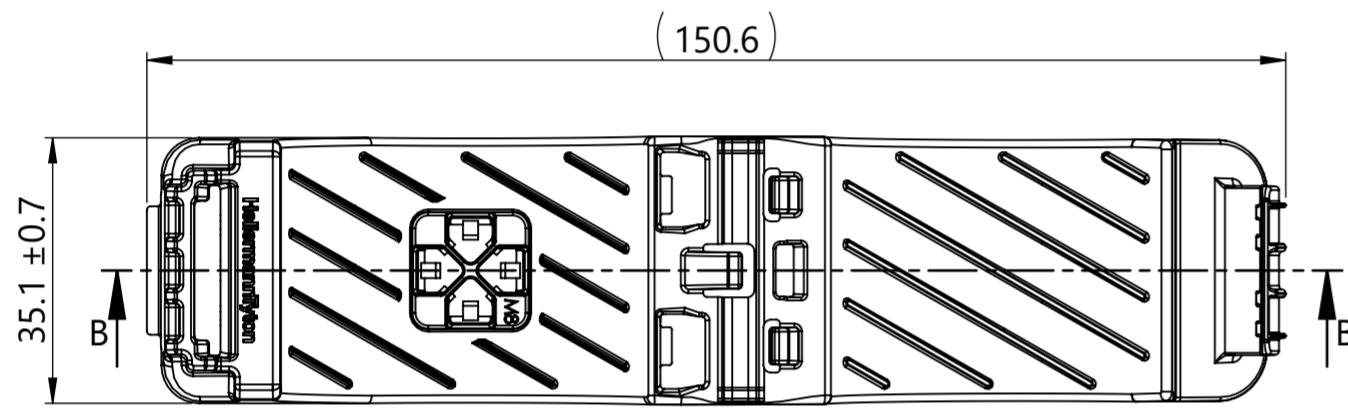
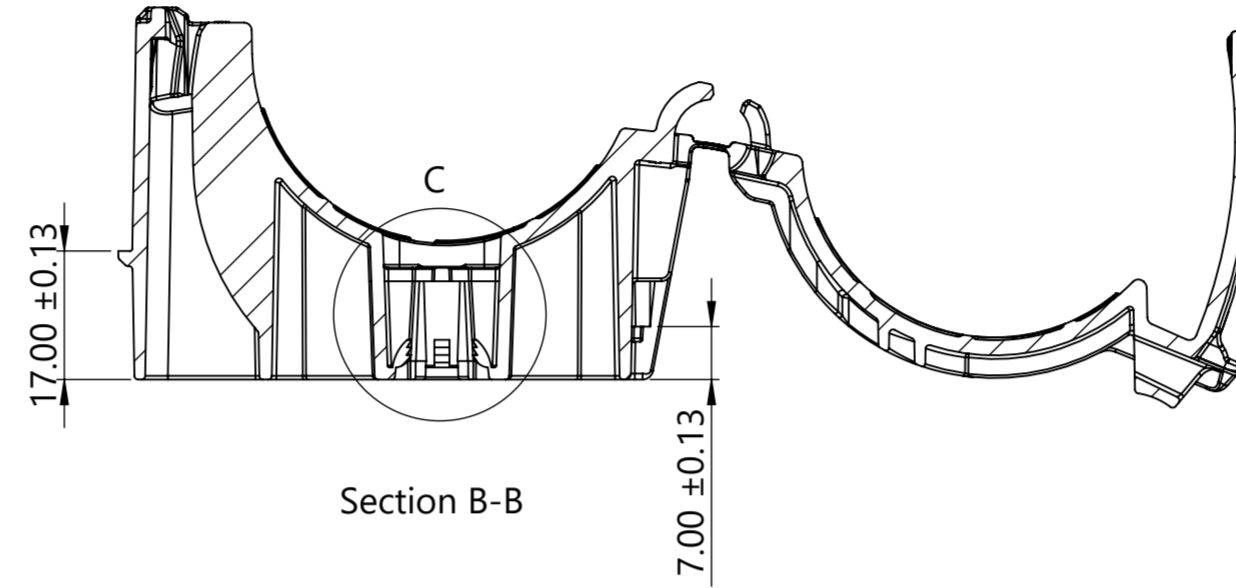
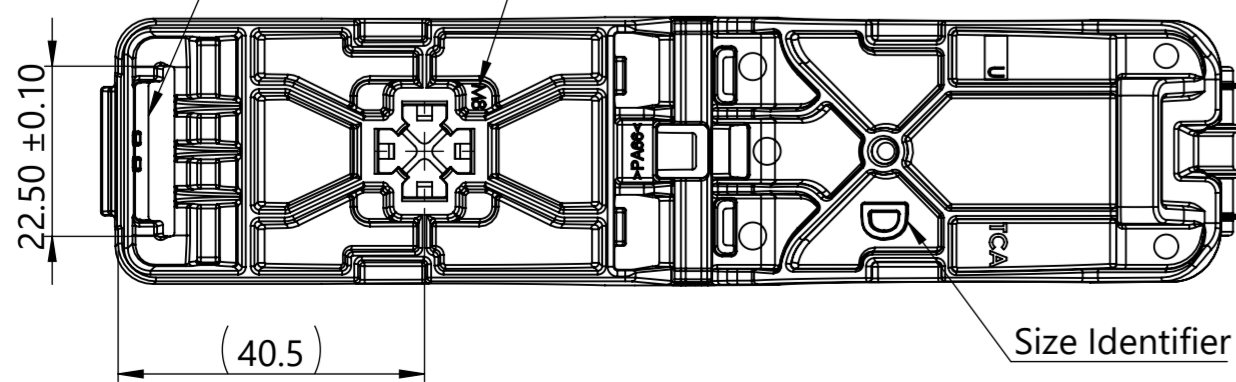


Isometric View
Product shipped in clamp open position

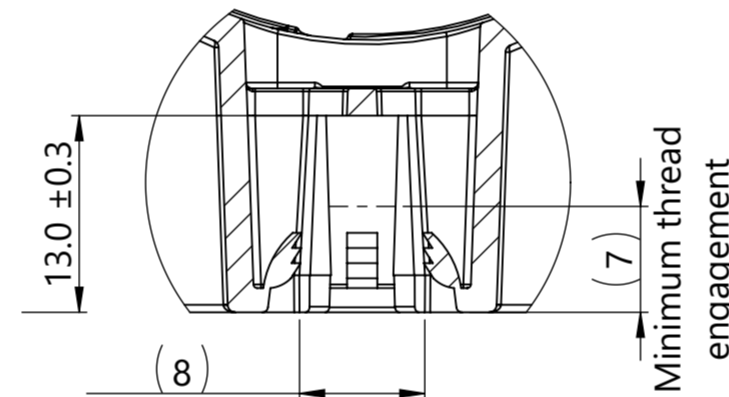


0.10 Maximum flash or mismatch allowed inside head

Mount size identifier



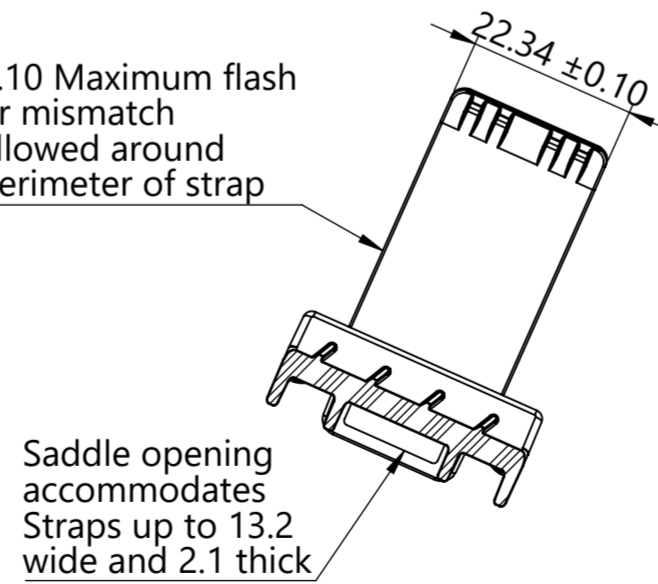
Section B-B



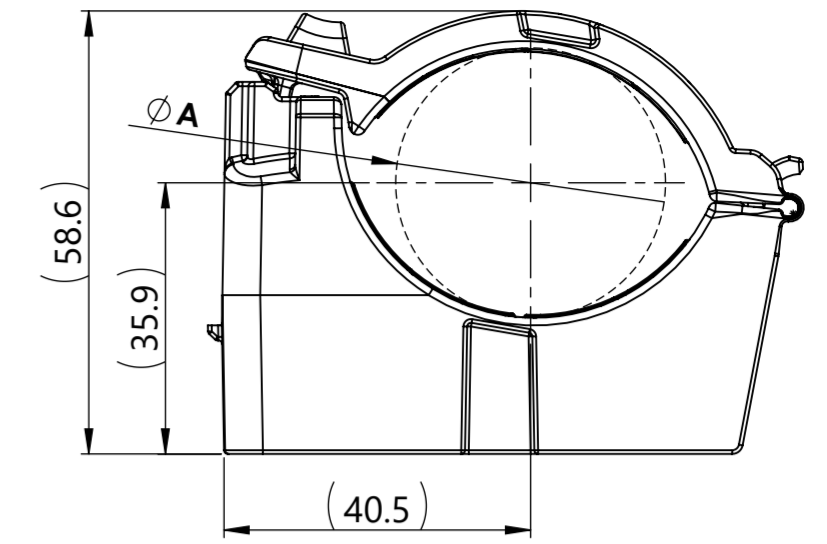
Stud Mount for M8

Detail C
Scale 2 : 1

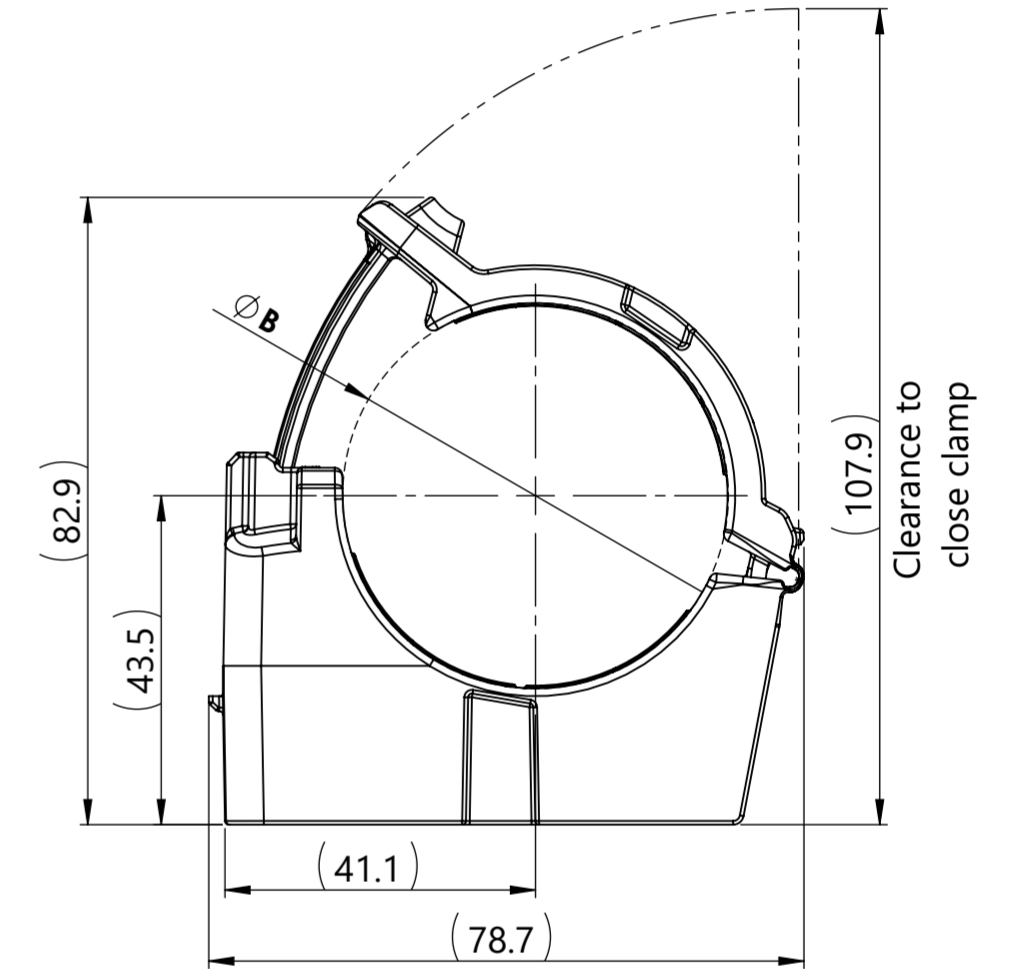
0.10 Maximum flash or mismatch allowed around perimeter of strap



Section A-A



Minimum Bundle Diameter



Maximum Bundle Diameter

Performance requirements:

Dry as molded with ≤ 0.5% moisture content:

- ITS-0001 Ratchet Clamp Split Mandrel Test: 445 newtons [100 lbf] minimum at a nominal bundle diameter of 44.45 [1.750in]
- ITS-0006 Push On and Pull Off Stud Mount
Push on force: 45 newtons [10 lbf] maximum
Pull off force: 222 newtons [50 lbf] minimum

Notes:

- Material: See chart
- Material color: See chart
- Maximum percent regrind permissible: 25%
- Maximum allowable flash to be: 0.50 "Unless otherwise noted"
- Maximum allowable mismatch to be: 0.15 "Unless otherwise noted"

Bundle Types	A Minimum Diameter	B Maximum Diameter
Soft	36.0 ± 0.3	51.0 ± 0.3
Hard	35.2 ± 0.3	49.9 ± 0.3

Global Part Number	Global Part Description	Mounting Stud Size	Type Number	Material	Color
21-0245	CMRCDMM8-PA66HIRHSUV-BK	M8	CMRCDMM8	PA66HIRHSUV	Black

Revision level			Revision Record		
Drawing	State	Part	ECN 016829		
00.0	Design Release	-			
Changed	Date (YYYY/MM/DD)				
Spangler	2022/01/18				
Approved	Date (YYYY/MM/DD)				
Toll	2022/01/18				

The copyright of this drawing is reserved by HellermannTyton.
All drawing revision are stored in CAD PDM database

Units: **mm**
HellermannTyton
www.HellermannTyton.com

CMRCDMM8
Title: Center Mount RCD Ratchet P-Clamp, Size D, Clamp Range 36.0 to 51.0, M8 Stud Mount
Scale: 1:1
Global Project Number: 21-0245
Drawing-No: 21-0245-004-CSU
Format: A2
Sheet: 1/1