

4

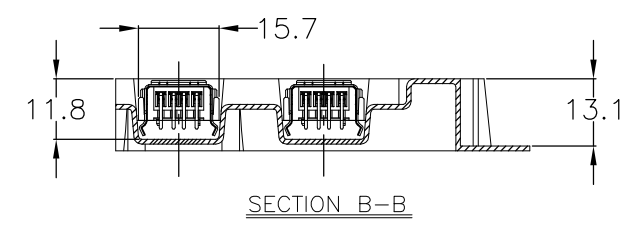
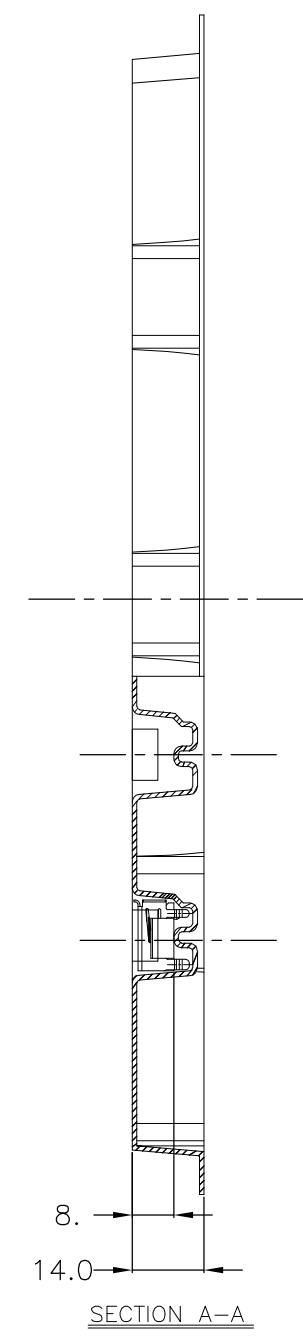
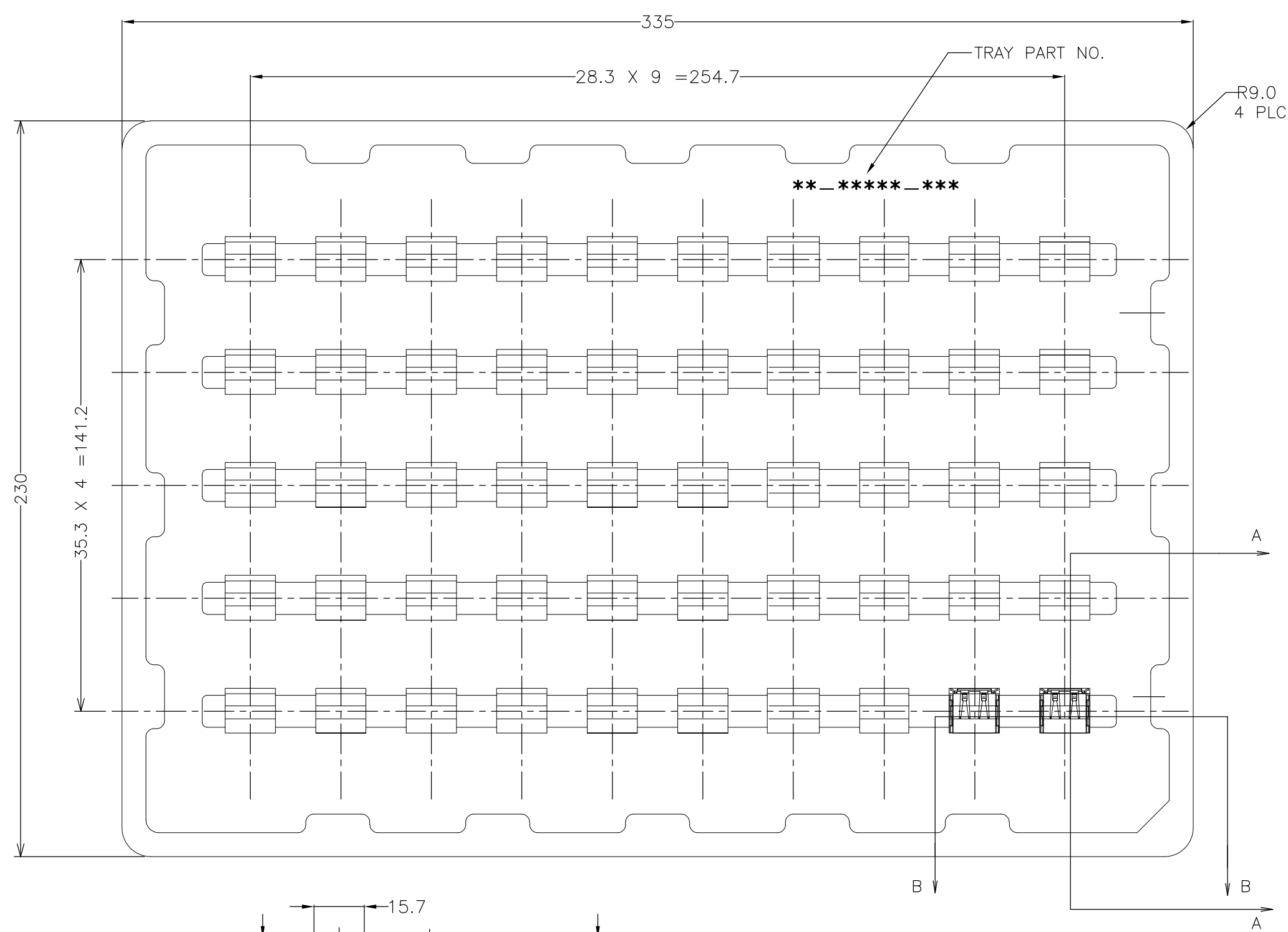
3

2

1

THIS DRAWING IS UNPUBLISHED. RELEASED FOR PUBLICATION
 © COPYRIGHT - BY TYCO ELECTRONICS CORPORATION. ALL RIGHTS RESERVED.

LOC	DIST	REVISIONS					
ES	-	P	LTR	DESCRIPTION	DATE	DWN	APVD
			B1	REVISED PER ECR-19-001024	29JAN19	T.Z	S.L



PART NUMBER	STATUS
1674459-4	PRELIMINARY

THIS DRAWING IS A CONTROLLED DOCUMENT.

DWN	AMOS ZHU	28NOV08	Tyco Electronics Corporation Shanghai, P.R.China, 200233				
CHK	MARTIN LI	28NOV08					
APVD	STEVEN YAO	28NOV08					
NAME	TRAY REC. ASS'Y R/A DIP HIGH DURABILITY TYPE USB CONNECTOR						
PRODUCT SPEC	108-60053		SIZE	CAGE CODE	DRAWING NO	RESTRICTED TO	
APPLICATION SPEC	-		A3	00779	C-1674459		
WEIGHT	-		CUSTOMER DRAWING		SCALE	SHEET	REV
					1:1	1 OF 3	B1

THIS DRAWING IS UNPUBLISHED.

RELEASED FOR PUBLICATION

© COPYRIGHT - BY TYCO ELECTRONICS CORPORATION.

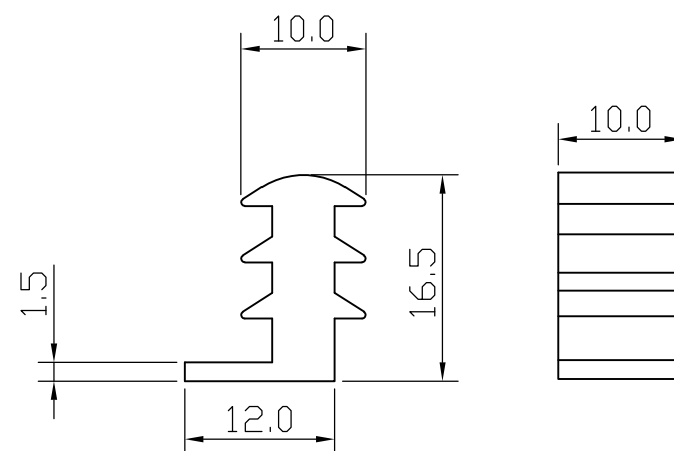
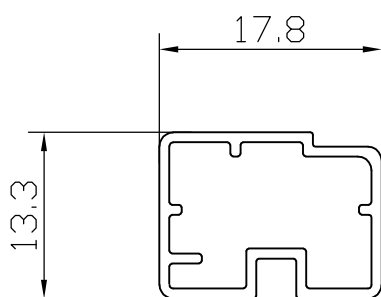
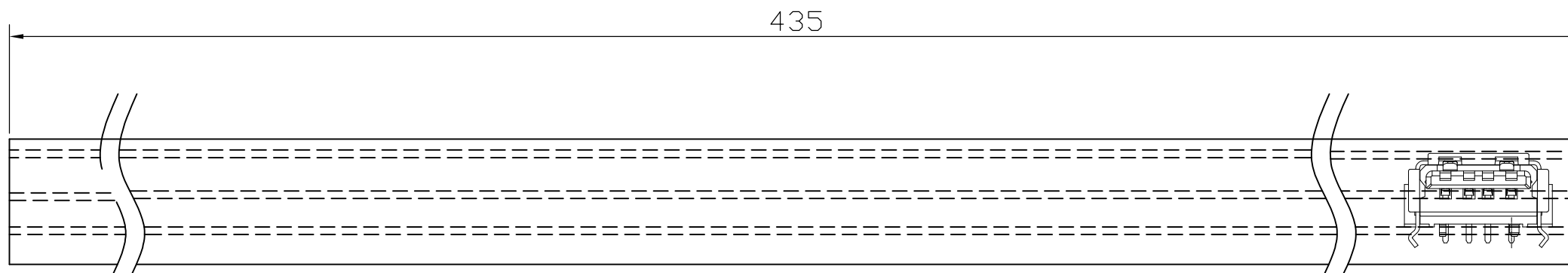
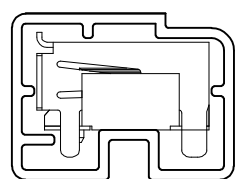
ALL RIGHTS RESERVED.

LOC
ES

DIST
-

REVISIONS

P	LTR	DESCRIPTION	DATE	DWN	APVD
-	-	SEE SHEET 1	-	-	-



THIS DRAWING IS A CONTROLLED DOCUMENT.

DWN AMOS ZHU 28NOV08

CHK MARTIN LI 28NOV08

APVD STEVEN YAO 28NOV08

PRODUCT SPEC

APPLICATION SPEC

WEIGHT -

CUSTOMER DRAWING



Tyco Electronics Corporation
Shanghai, P.R.China, 200233

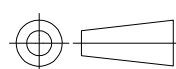
NAME
TRAY REC. ASS'Y R/A DIP
HIGH DURABILITY TYPE USB CONNECTOR

SIZE	CAGE CODE	DRAWING NO	RESTRICTED TO
A3	00779	C-1674459	

DIMENSIONS:
mm

TOLERANCES UNLESS OTHERWISE SPECIFIED:

- 0 PLC ± 1.0
- 1 PLC ± 1.0
- 2 PLC ± -
- 3 PLC ± -
- 4 PLC ± -
- ANGLES ± 2'



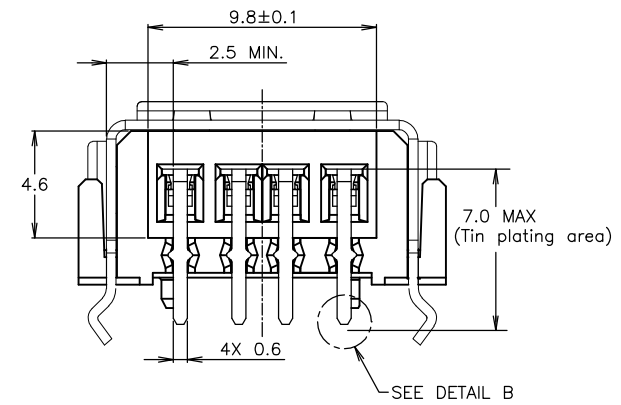
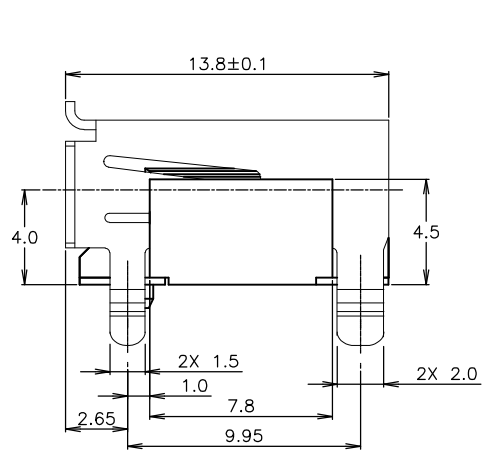
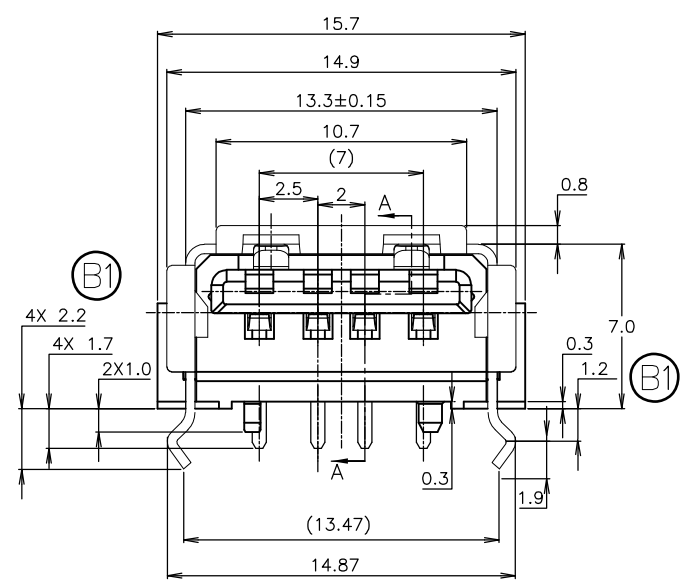
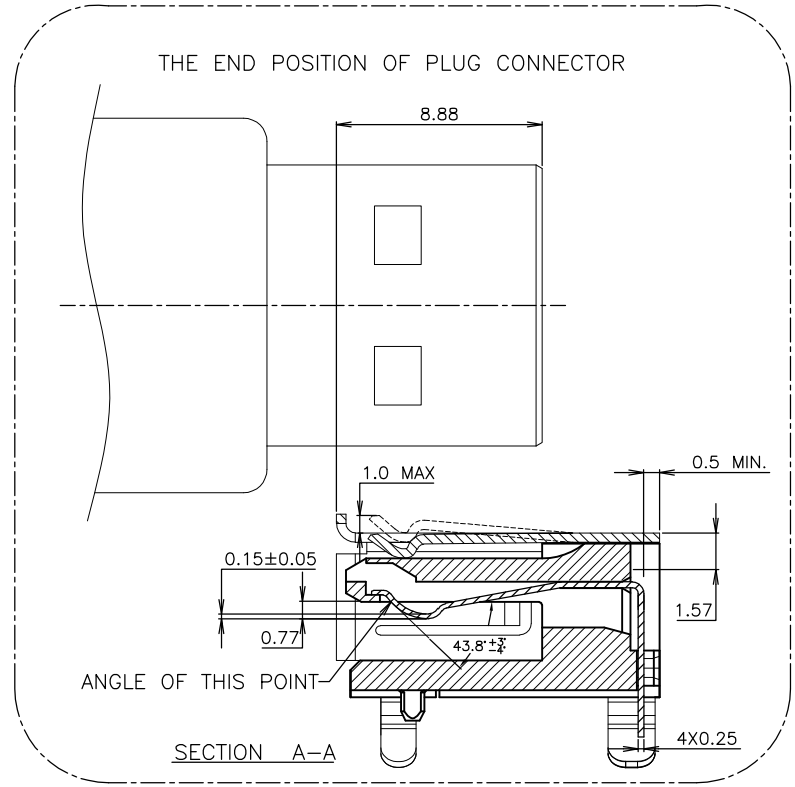
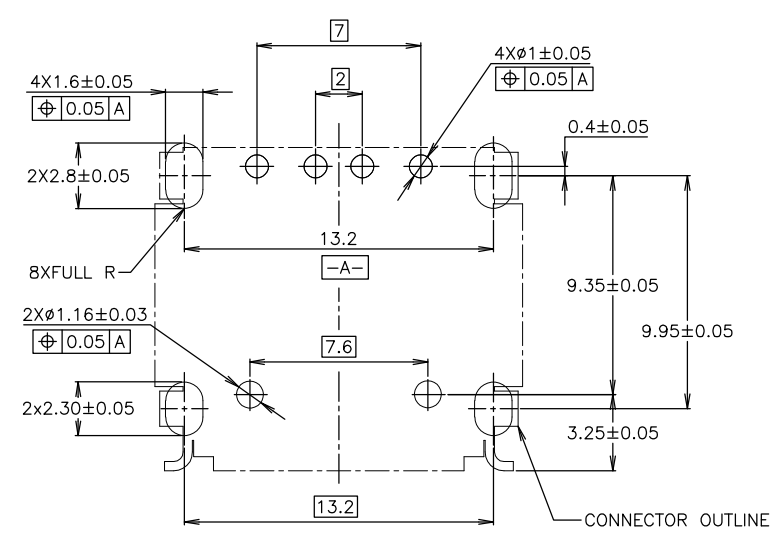
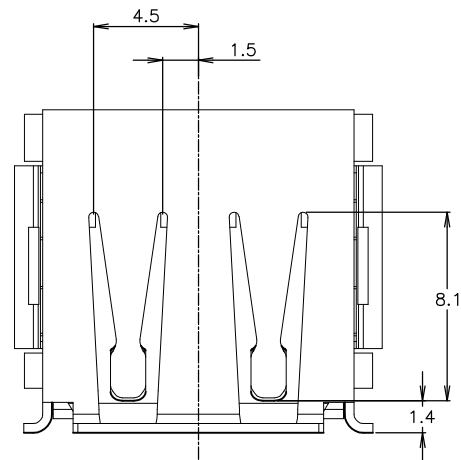
MATERIAL

FINISH

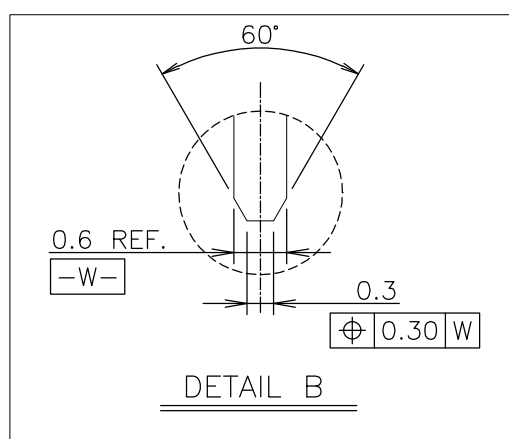
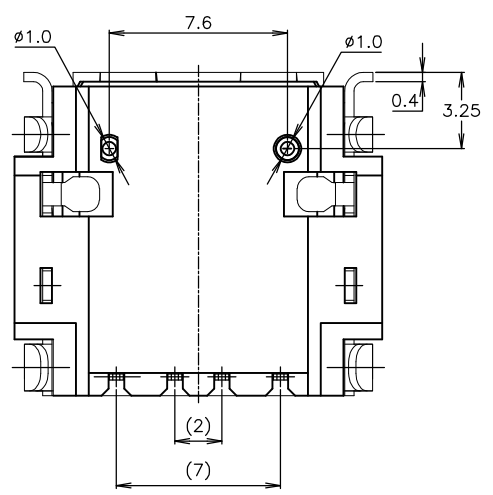
PART NUMBER	STATUS
2-1674459-4	PRELIMINARY

THIS DRAWING IS UNPUBLISHED. RELEASED FOR PUBLICATION
 © COPYRIGHT BY TYCO ELECTRONICS CORPORATION. ALL RIGHTS RESERVED.

LOC	DIST	REVISIONS			
P	LTR	DESCRIPTION	DATE	DWN	APVD
ES	—	SEE SHEET 1	—	—	—



NOTES
 ① MATERIAL & FINISH
 CONTACT: COPPER ALLOY
 Au PL. AT CONTACT AREA OVER Ni PL.
 TIN PL. AT TINE AREA OVER Ni PL.
 HOUSING: LCP, UL94V-0.
 COLOR: NATURAL
 ② SHELL: STAINLESS STEEL, TIN PL
 2. RECOMMENDED P.C.B THICKNESS 1.00±0.05 mm.



THIS DRAWING IS A CONTROLLED DOCUMENT.

DIMENSIONS:	TOLERANCES UNLESS OTHERWISE SPECIFIED:
mm	
0 PLC	± 0.30
1 PLC	± 0.30
2 PLC	± -
3 PLC	± -
4 PLC	± -
ANGLES	± 2'
MATERIAL	FINISH

DWN	AMOS ZHU	28NOV08
CHK	MARTIN LI	28NOV08
APVD	STEVEN YAO	28NOV08
PRODUCT SPEC	108-60053	
APPLICATION SPEC	-	
WEIGHT	-	
CUSTOMER DRAWING		

Tyco Electronics		Tyco Electronics Corporation	
		Shanghai, P.R.China, 200233	
NAME		TRAY REC. ASS'Y R/A DIP	
		HIGH DURABILITY TYPE USB CONNECTOR	
SIZE	CAGE CODE	DRAWING NO	RESTRICTED TO
A3	00779	C-1674459	
SCALE		SHEET	REV
1:1		3 OF 3	B1