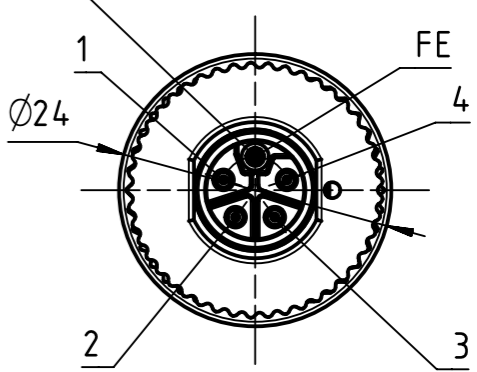


complete length when assembled app. 53

contact face acc. to IEC 61076-2-111



Cable range: Ø5,8 - Ø13,5mm

	All rights reserved Department EL PD HARTING Electronics GmbH D-32339 Espelkamp	All Dimensions in mm Original Size DIN A3		Scale 1.5:1	Free size tol.	Ref. Sub.
		Created by BALSAN	Inspected by FARCASIU	Standardisation SCHREIER	Date 2020-09-09	State Final Release
		Title M12 Power IDC Male connector				Doc-Key / ECM-Nr. 100586579/UGD/003/G 500000179399
		Type TB	Number 21032961505		Rev. G	Page 1/1