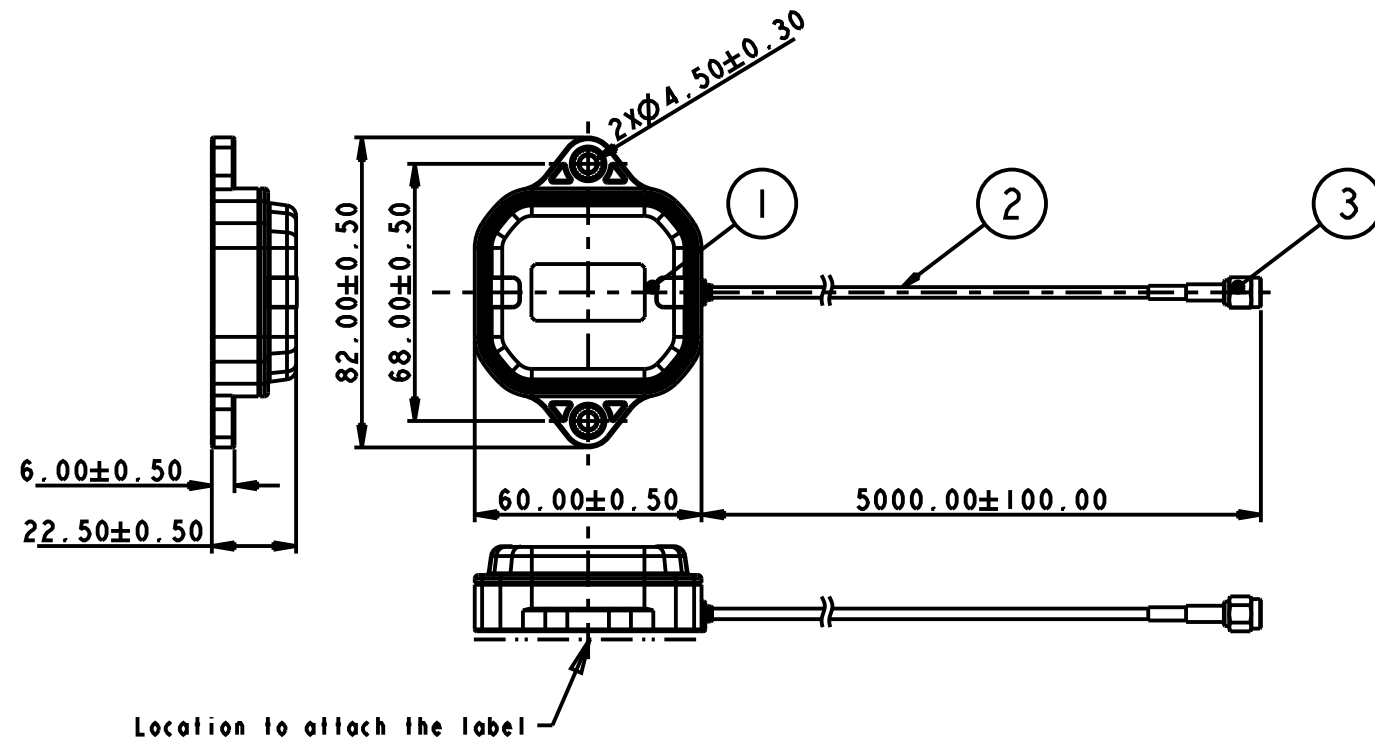


P	LTR	DESCRIPTION	DATE	DWN	APVD
A		PRODUCTION RELEASED	13MAY2021	DW	JH

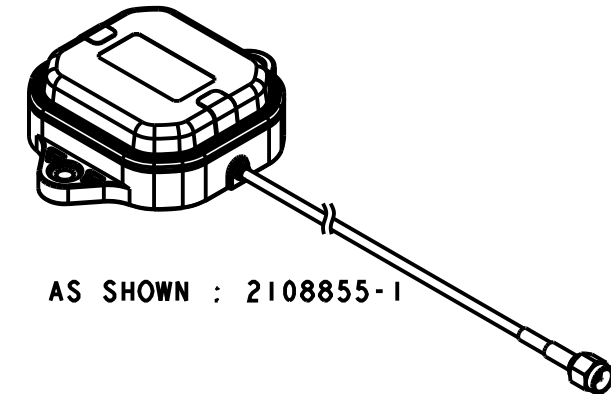
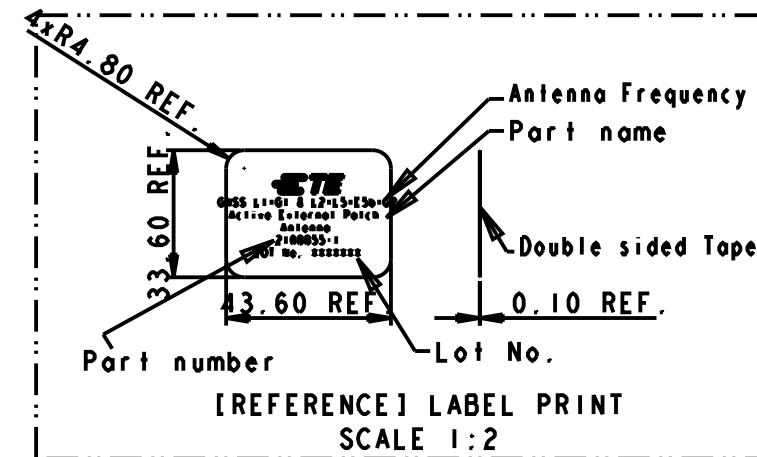


NOTES

1. MATERIAL : REFER TO TABLE
2. CONSULT TE CONNECTIVITY DATA SHEET DS2108855.
3. PACKAGING : ZIPPER BAG

TABLE.

ITEMS	SPECIFICATION	Q'TY
① ANTENNA	SIZE : 82.0x60.0x22.5 mm	1
② CABLE	RG174	1
③ CONNECTOR	SMA MALE	1



THIS DRAWING IS A CONTROLLED DOCUMENT.		DWN DW.PARK 17FEB2021		
DIMENSIONS: mm		CHK H.SHIN 17FEB2021		
TOLERANCES UNLESS OTHERWISE SPECIFIED:		APVD JH.KIM 17FEB2021	NAME Active ant., SMA, 5m, L1+G1 AND L2+L5+E5b+G2	
0 PLC ±-		PRODUCT SPEC	-	
1 PLC ±-		APPLICATION SPEC	-	
2 PLC ±-		WEIGHT	-	
3 PLC ±-		CUSTOMER DRAWING	-	
4 PLC ±-		SCALE	1:2	
ANGLES ±-		SHEET	1 OF 1	
FINISH		RESTRICTED TO	-	
MATERIAL		SIZE	A300779	
		CAGE CODE	G-2108855	
		DRAWING NO	C-2108855	
		REV	A	