

10

9

8

7

6

5

4

3

2

1

F

F

E

E

D

D

C

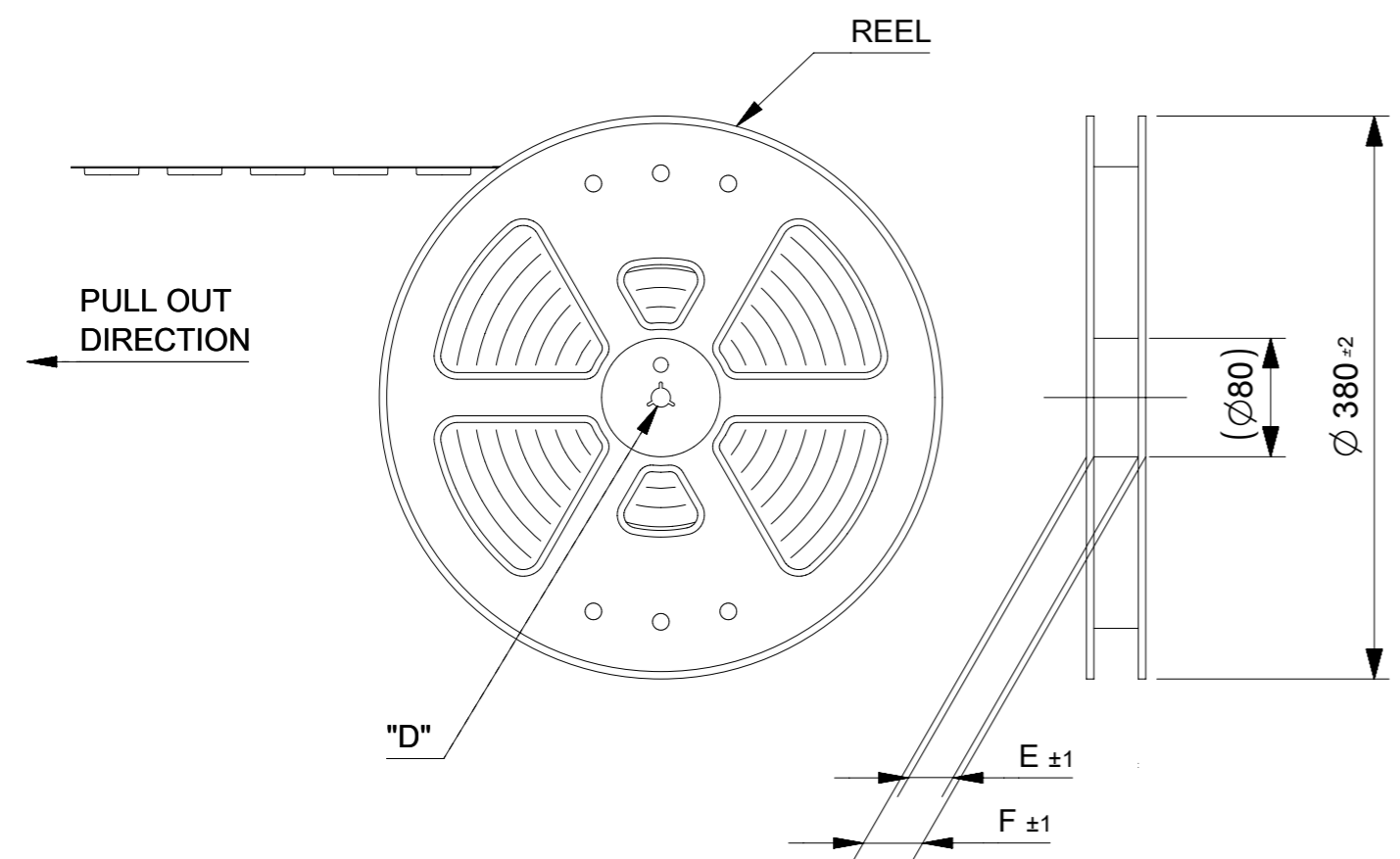
C

B

B

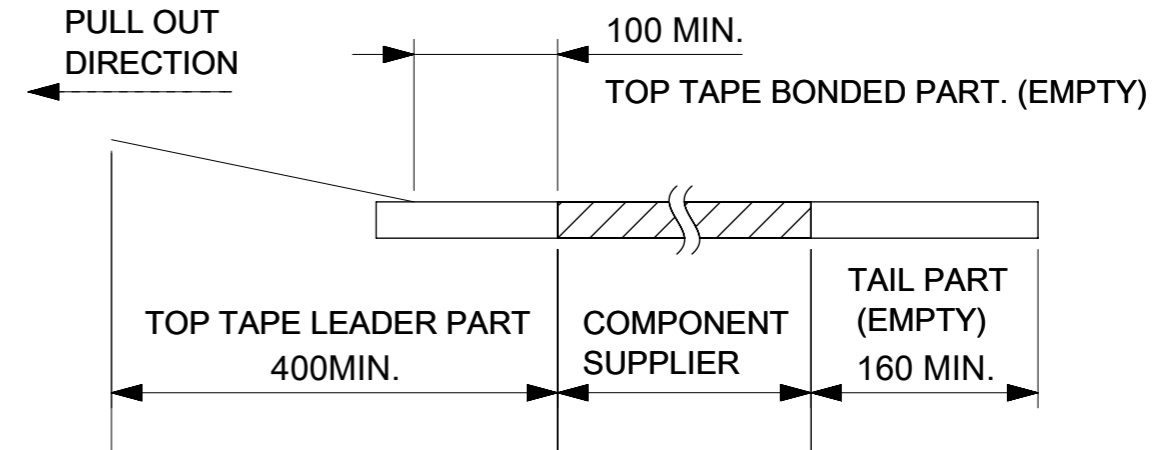
A

A

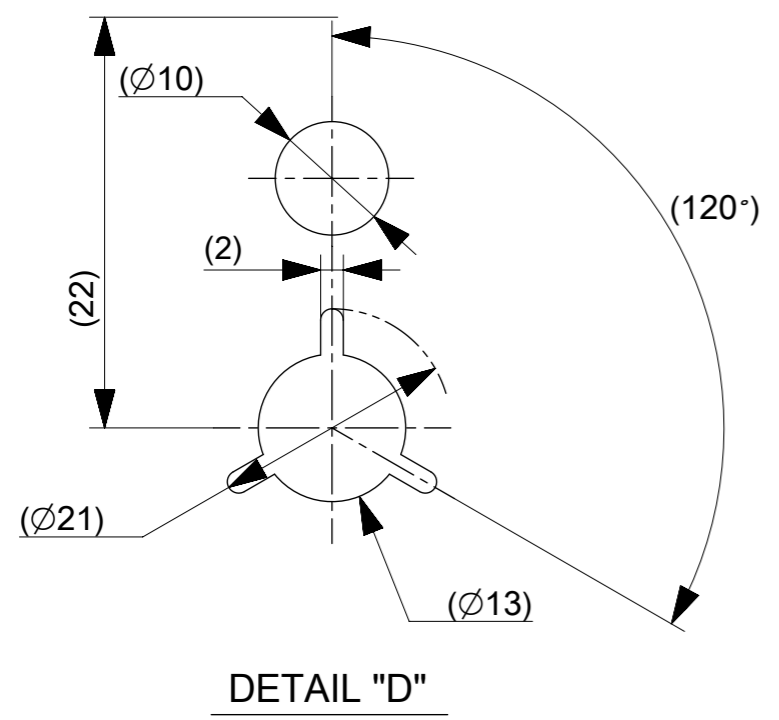


NOTES

- 1. RE DETAILED DIMENSION, SEE PRODUCT DRAWING.
- 2. NUMBER OF CONNECTORS : 15000PCS/REEL
- 3. LEAD TAPE LENGTH.



- 4. PEELING OFF FORCE OF THE TOP TAPE IS DEFINED BY IEC60286-3.
- 5. MATERIAL
 CARRIER TAPE : POLYSTYRENE OR PET
 TOP TAPE : PET , OTHER
 REEL : POLYSTYRENE (PS) < RECYCLE MATERIAL CONTAINED >



SYMBOLS	THIS DRAWING CONTAINS INFORMATION THAT IS PROPRIETARY TO MOLEX ELECTRONIC TECHNOLOGIES, LLC AND SHOULD NOT BE USED WITHOUT WRITTEN PERMISSION		CURRENT REV DESC:			molex		
	DIMENSION UNITS	SCALE						
$\nabla = 0$	mm	1:1	DRWN: TTANIGUCHI01	2020/03/26		PRODUCT CUSTOMER DRAWING		
$\nabla = 0$	GENERAL TOLERANCES (UNLESS SPECIFIED)		CHK'D: YNAITO	2020/03/26		DOCUMENT NUMBER		
$\nabla = 0$	ANGULAR TOL $\pm 3.0^\circ$		APPR: RTAKEUCHI	2020/03/26		DOC TYPE DOC PART REVISION		
$\nabla = 0$	4 PLACES ± 0.03		INITIAL REVISION:			2111750000-SD		
$\nabla = 0$	3 PLACES ± 0.03		DRWN: TTANIGUCHI01		2019/01/09			
$\nabla = 0$	2 PLACES ± 0.05		APPR: RTAKEUCHI		2020/03/26			
$\nabla = 0$	1 PLACE ± 0.1		SERIES		211175			
$\nabla = 0$	0 PLACES ± 0.2		MATERIAL NUMBER		SEE CHART			
$\square = 0$	DRAFT WHERE APPLICABLE MUST REMAIN WITHIN DIMENSIONS		CUSTOMER		GENERAL			
$\nabla = 0$	THIRD ANGLE PROJECTION		DRAWING		A3-SIZE			
$\nabla = 0$			SHEET NUMBER		1 OF 2			

10

9

8

7

6

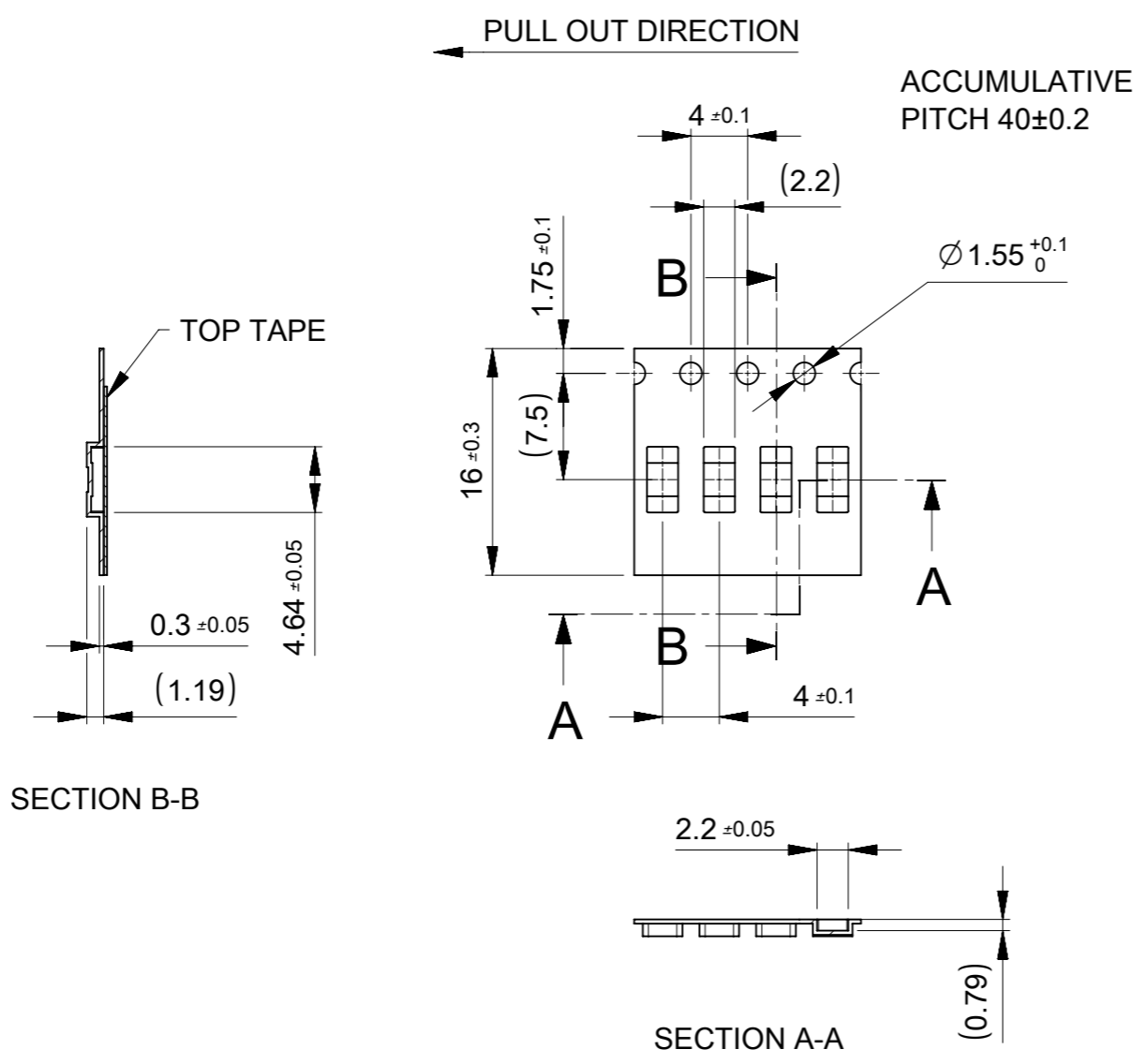
5

4

3

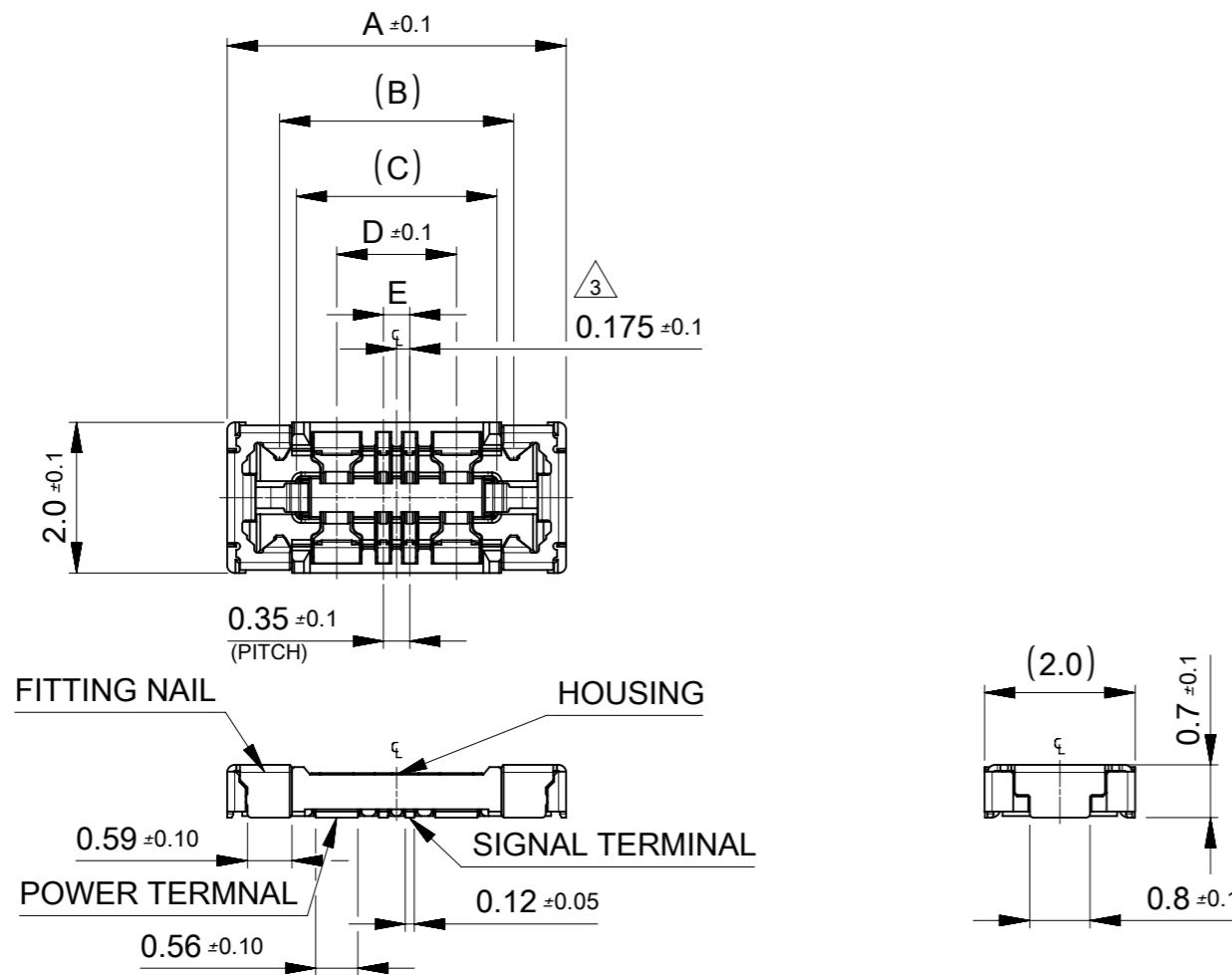
2

1



2111750080	○	---	4+4
ORDER NO.	HIGH VOL. TOOL	LOW VOL. TOOL	Ckt.
	SAMPLE PREPARATION ○ : TOOLED △ : WORK IN PROCESS --- : TOOLING TO BE CONFIRMED		
CONNECTOR No.	2111751080		

SYMBOLS	THIS DRAWING CONTAINS INFORMATION THAT IS PROPRIETARY TO MOLEX ELECTRONIC TECHNOLOGIES, LLC AND SHOULD NOT BE USED WITHOUT WRITTEN PERMISSION		
	DIMENSION UNITS	SCALE	CURRENT REV DESC:
▽ = 0	mm	2:1	EC NO: 634655 DRWN: TTANIGUCHI01 2019/12/26 CHK'D: YNAITO 2020/03/26 APPR: RTAKEUCHI 2020/03/26 INITIAL REVISION: DRWN: TTANIGUCHI01 2019/01/09 APPR: RTAKEUCHI 2020/03/26
▽ = 0	GENERAL TOLERANCES (UNLESS SPECIFIED)		
▽ = 0	ANGULAR TOL ± 3.0°		
▽ = 0	4 PLACES	± 0.03	
▽ = 0	3 PLACES	± 0.03	
▽ = 0	2 PLACES	± 0.05	PRODUCT CUSTOMER DRAWING DOCUMENT NUMBER: 2111750000-SD DOC TYPE: PSD DOC PART: 000 REVISION: A
▽ = 0	1 PLACE	± 0.1	
▽ = 0	0 PLACES	± 0.2	
■ = 0	DRAFT WHERE APPLICABLE MUST REMAIN WITHIN DIMENSIONS		THIRD ANGLE PROJECTION DRAWING: A3-SIZE SERIES: 211175 MATERIAL NUMBER: SEE CHART CUSTOMER: GENERAL SHEET NUMBER: 2 OF 2

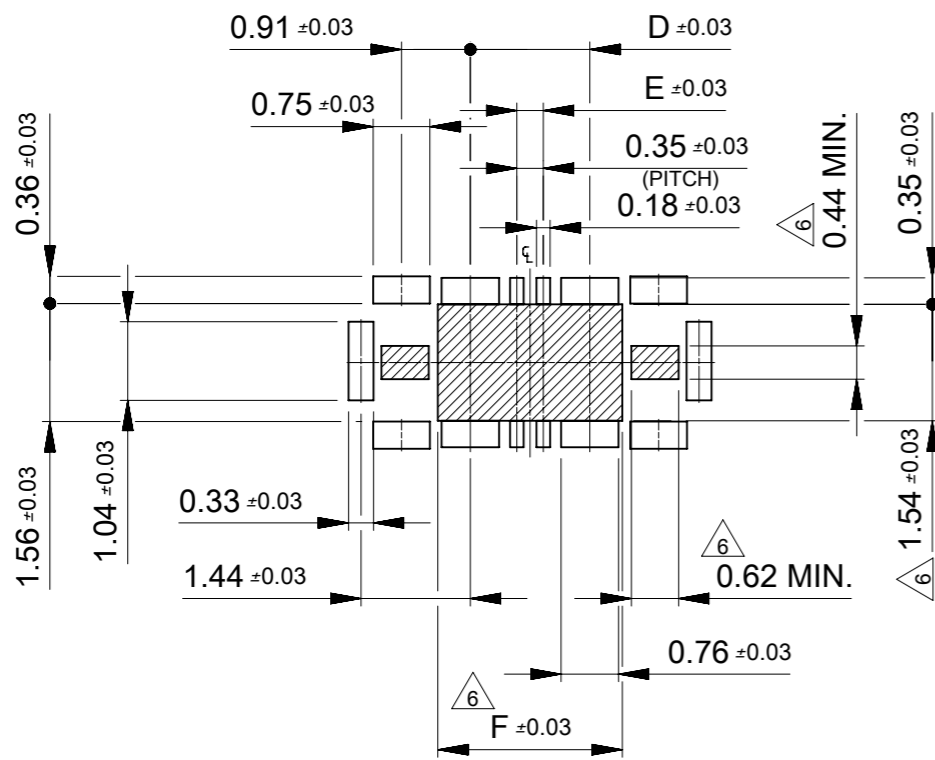


NOTE

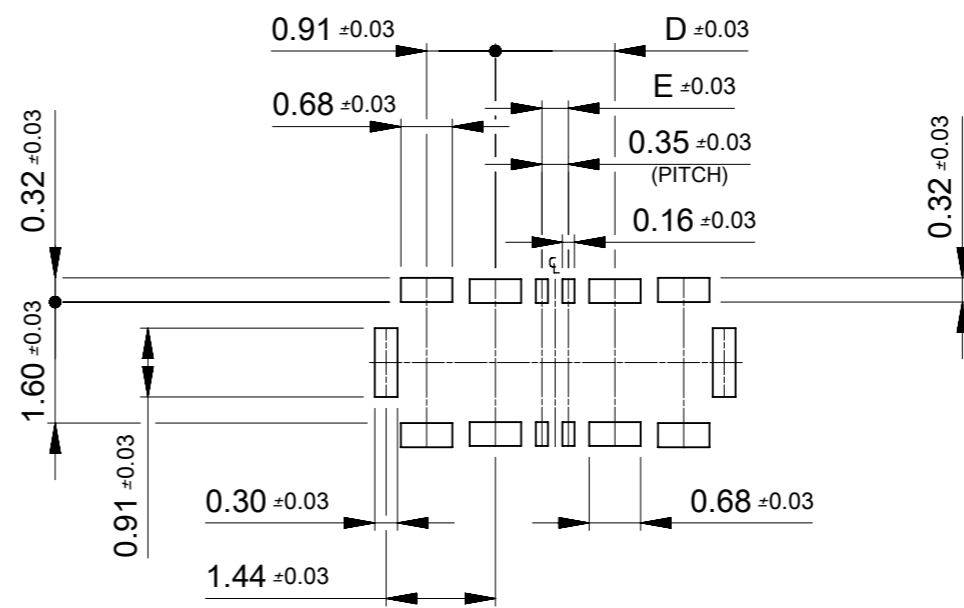
- 1 MATERIAL
HOUSING : LIQUID CRYSTAL POLYMER UL94V-0(COLOR : BLACK)
TERMINAL : COPPER ALLOY
FITTING NAIL : COPPER ALLOY
- 2 PLATING
TERMINAL :
CONTACT AREA : SEPARAED GOLD PLATING
(0.1 MICROMETER MINIMUM)
SOLDER TAIL AREA : SEPARATED GOLD PLATING
UNDER PLATING : NICKEL OVERALL
*DIVIED INTO PARTS THE GOLD PLATING OF THE CONTACT AND THE TAIL PART BY THE NICKEL PLATING.
- FITTING NAIL :
CONTACT AREA : SEPARAED GOLD PLATING
(0.1 MICROMETER MINIMUM)
SOLDER TAIL AREA : SEPARATED GOLD PLATING
UNDER PLATING : NICKEL OVERALL
*DIVIED INTO PARTS THE GOLD PLATING OF THE CONTACT AND THE TAIL PART BY THE NICKEL PLATING.
- △3 APPLY FOR (CIRCUIT/2)=EVEN
- 4 MATE WITH : 2111760**0
- 5 TAIL AND FITTING NAIL COPLANARITY TO BE 0.08MAXIMUM.
- △6 PROHIBITED AREA OF PATTERN WIRING AND SOLDER.
(FOR EACH AREA, THE WIRING THAT TOUCHES ON THE SOLDER CAN BE ATTACHED, THEN COVERED WITH A FILM TO KEEP SOLDER OUT.)

2.44	0.35	1.58	2.66	3.11	4.5	2111750080	○	---	4+4P
F	E	D	(C)	(B)	A	EMBOSS TAPE PACKAGE	HIGH VOL. TOOL	LOV VOL. TOOL	CIRCUIT
						ORDER No.	SAMPLE PREPARATION ○ : TOOLED △ : WORK IN PROCESS --- : TOOLING TO BE CONFIRMED		
CONNECTOR SERIES No. : 2111751**0									

THIS DRAWING CONTAINS INFORMATION THAT IS PROPRIETARY TO MOLEX ELECTRONIC TECHNOLOGIES, LLC AND SHOULD NOT BE USED WITHOUT WRITTEN PERMISSION												
DIMENSION UNITS mm		SCALE 10:1		CURRENT REV DESC:						molex		
GENERAL TOLERANCES (UNLESS SPECIFIED)				EC NO: 636047 DRWN: ZQWANG13 2020/04/06 CHK'D: MSASAO 2020/04/17 APPR: RTAKEUCHI 2020/04/17								
ANGULAR TOL ± 3.0 °				INITIAL REVISION: DRWN: TTANIGUCHI01 2019/01/09 APPR: RTAKEUCHI 2020/03/26						DOCUMENT NUMBER 2111751000-SD		
4 PLACES ± 0.03		3 PLACES ± 0.03		2 PLACES ± 0.05		1 PLACE ± 0.1		0 PLACES ± 0.2		DOC TYPE PSD	DOC PART 000	REVISION B
DRAFT WHERE APPLICABLE MUST REMAIN WITHIN DIMENSIONS				THIRD ANGLE PROJECTION		DRAWING A3-SIZE		SERIES 211175		MATERIAL NUMBER GENERAL		SHEET NUMBER 1 OF 2

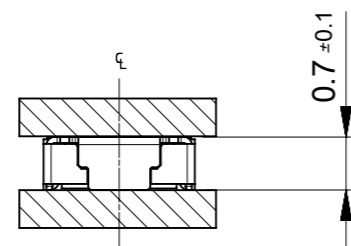


RECOMMENDED P.W. BOARD PATTERN LAYOUT



RECOMMENDED METAL MASK LAYOUT

RECOMMENDED THICKNESS : 0.08MM
 RECOMMENDED APERTURE DIMENSION IS JUST SAME AS SHOWN FIGURE ABOVE.
 FOR THIS DIMENSION, APERTURE RATIO ARE POWER, SIGNAL TERMINAL AND FITTING NAIL ALL 80%.



MATING CONDITION

This dimension shows a dimension between the tail to tail.

THIS DRAWING CONTAINS INFORMATION THAT IS PROPRIETARY TO MOLEX ELECTRONIC TECHNOLOGIES, LLC AND SHOULD NOT BE USED WITHOUT WRITTEN PERMISSION		CURRENT REV DESC:		molex	
DIMENSION UNITS	SCALE	EC NO: 636047			
mm	1:1	DRWN: ZQWANG13 2020/04/06		PRODUCT CUSTOMER DRAWING	
GENERAL TOLERANCES (UNLESS SPECIFIED)		CHK'D: MSASAO 2020/04/17		DOCUMENT NUMBER	
ANGULAR TOL	± 3.0 °	APPR: RTAKEUCHI 2020/04/17		2111751000-SD	
4 PLACES	± 0.03	INITIAL REVISION:		DOC TYPE	DOC PART
3 PLACES	± 0.03	DRWN: TTANIGUCHI01 2019/01/09		PSD	000
2 PLACES	± 0.05	APPR: RTAKEUCHI 2020/03/26		REVISION	B
1 PLACE	± 0.1	SERIES		SHEET NUMBER	
0 PLACES	± 0.2	A3-SIZE 211175		2 OF 2	
DRAFT WHERE APPLICABLE MUST REMAIN WITHIN DIMENSIONS		THIRD ANGLE PROJECTION	DRAWING	MATERIAL NUMBER	CUSTOMER
			A3-SIZE	211175	GENERAL