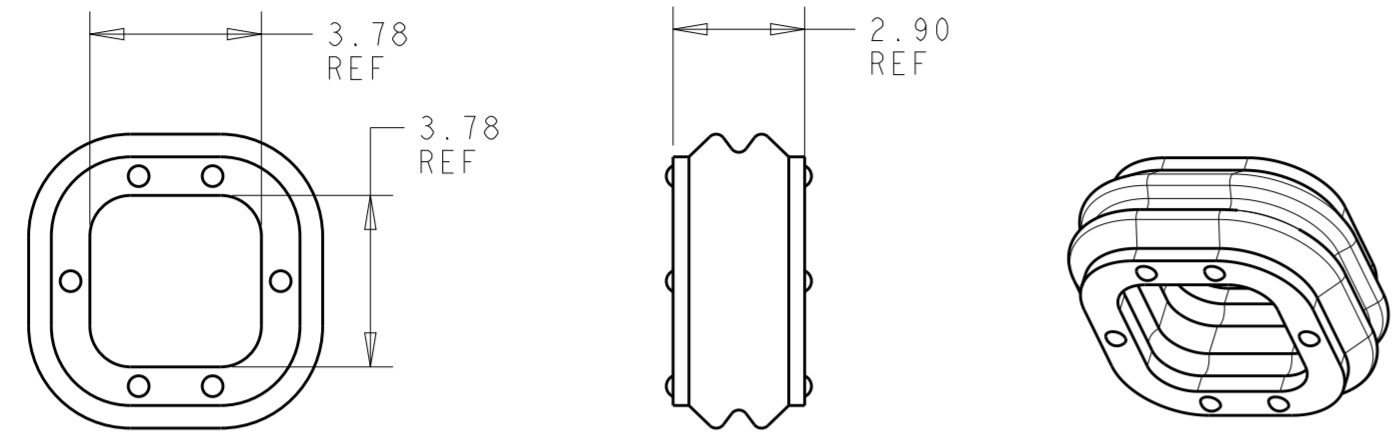


REVISIONS				
P	LTR	DESCRIPTION	DATE	APVD
A		RELEASED PER ECO-19-011398	23JUL2019	BKW CY
A1		REVISED PER ECR-20-100211	08AUG2020	JP VS

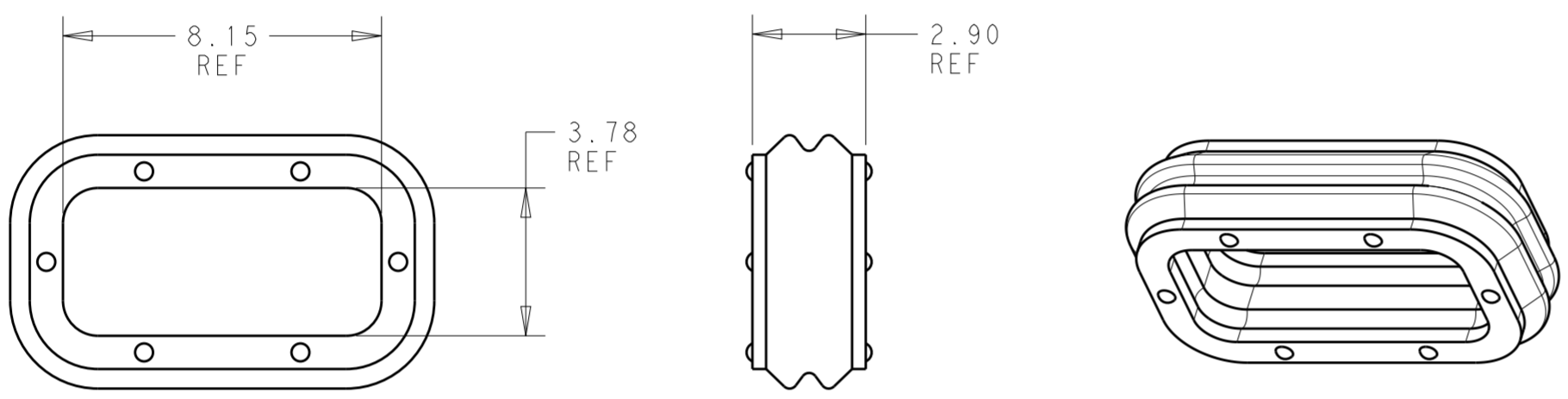


1*1 POSITION

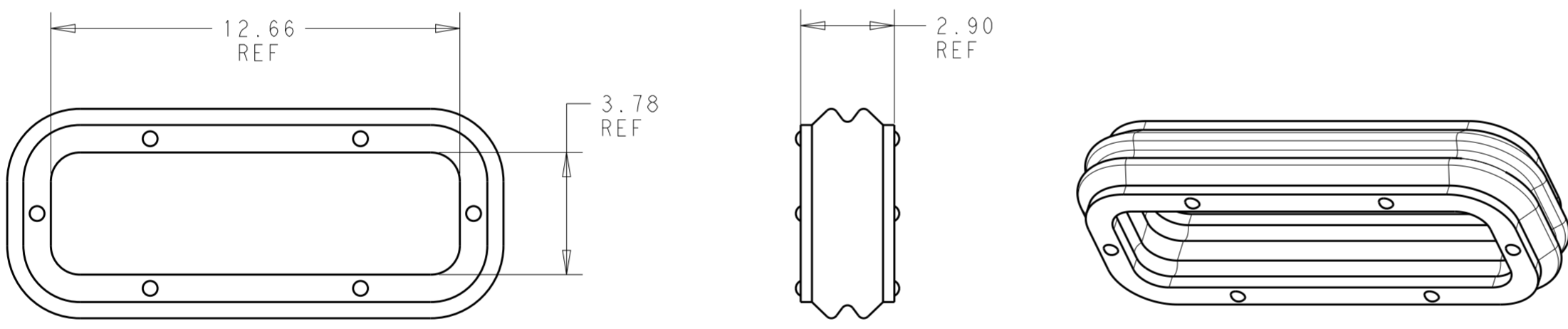
⚠ MATERIAL: SILICONE RUBBER, INHERENTLY LUBRICATED
 COLOR - BLUE

2. MATING PLUG HOUSING P/N'S:
 -2332040-/*-2336229-*/*-2345728-1

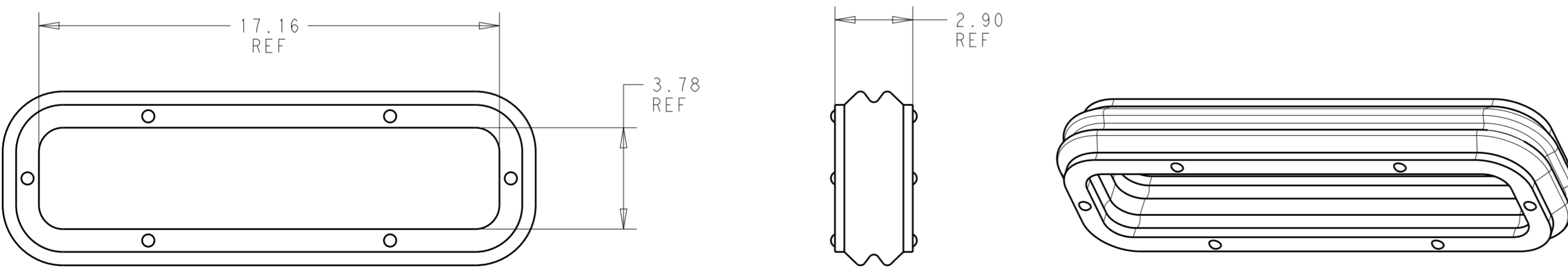
⚠ PRELIMINARY PART - NOT RELEASED FOR PRODUCTION



1*2 POSITION



1*3 POSITION



1*4 POSITION

1*4	⚠ 2325347-4
1*3	2325347-3
1*2	2325347-2
1*1	2325347-1
POSITIONS	PART NUMBER

THIS DRAWING IS A CONTROLLED DOCUMENT.		DWN B. WEAVER 15 JUN 2018	TE Connectivity INTERFACE SEAL, POWER VERSA-LOCK	
DIMENSIONS: mm		CHK S. FERNANDES 15 JUN 2018		
TOLERANCES UNLESS OTHERWISE SPECIFIED:		APVD C. YI 15 JUN 2018	NAME	
0 PLC ±	1 PLC ±	PRODUCT SPEC	-	
2 PLC ±	3 PLC ±	108-143081	SIZE CAGE CODE DRAWING NO RESTRICTED TO	
4 PLC ±	ANGLES ±	114-143082	A200779 C-2325347	
FINISH -	-	WEIGHT -	SCALE 6:1 SHEET 1 OF 1 REV A1	
MATERIAL ⚠			CUSTOMER DRAWING	