

NOTES:

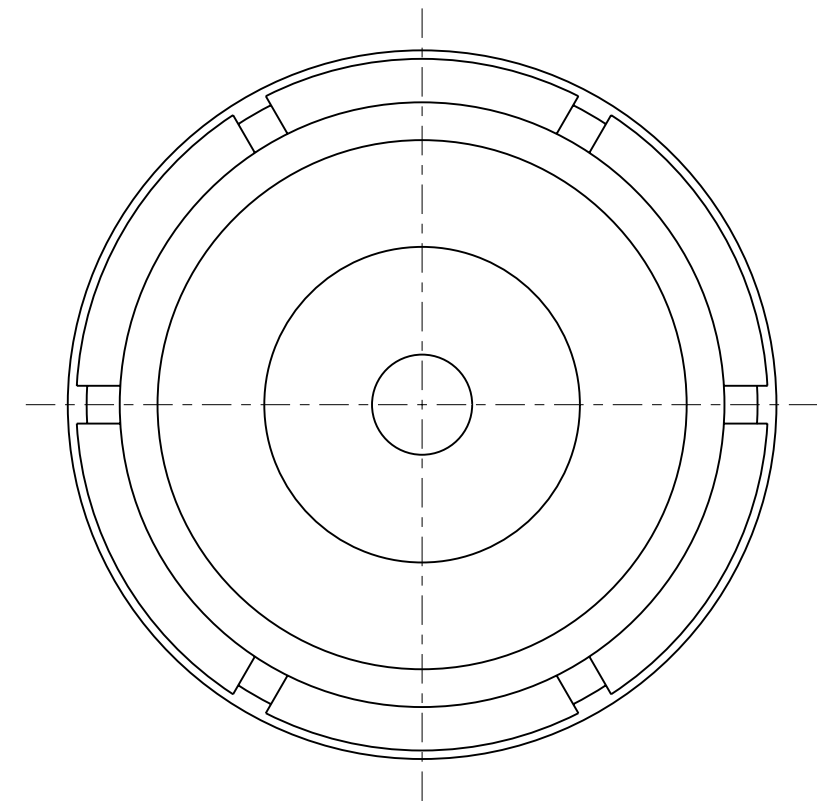
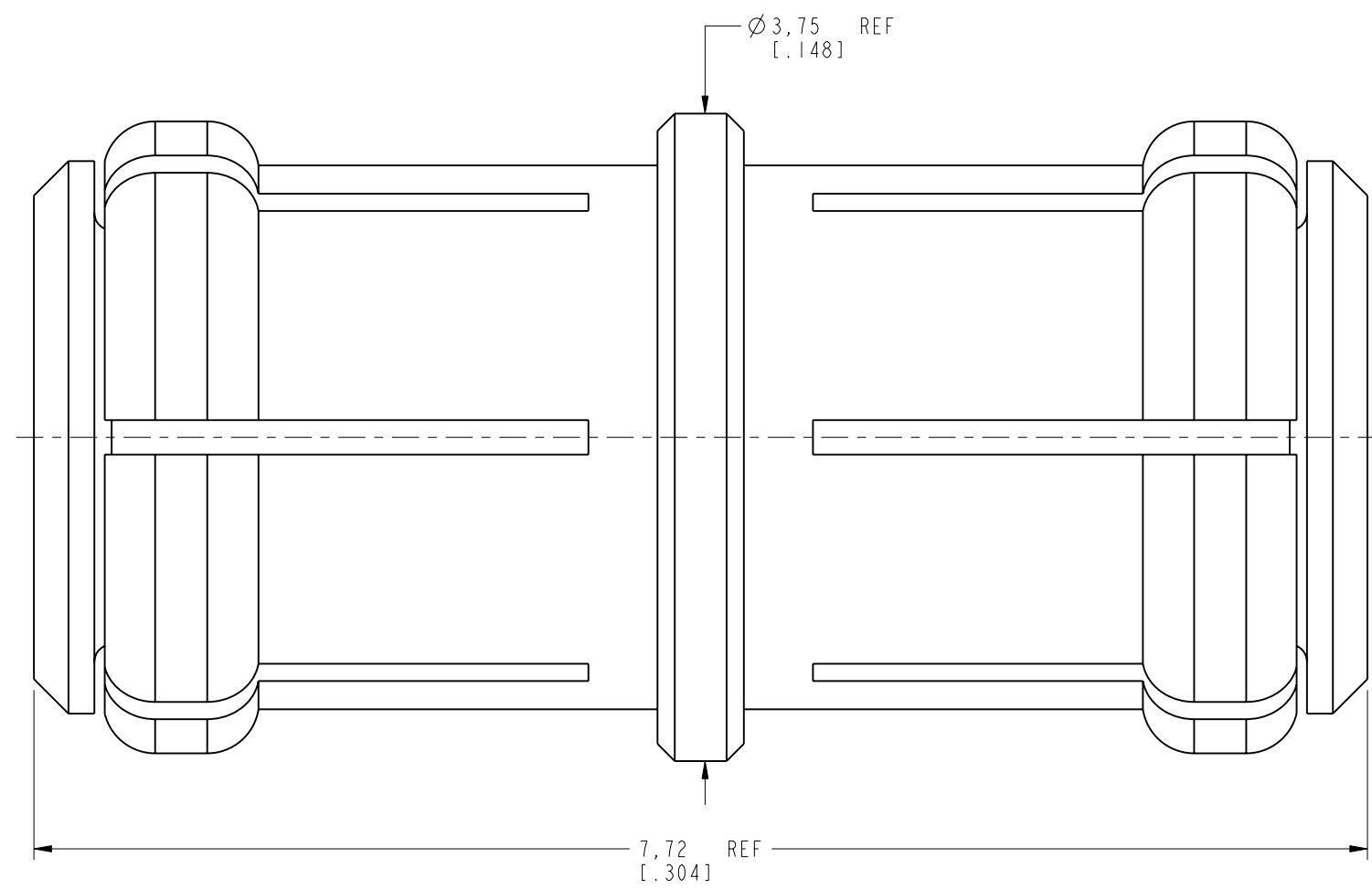
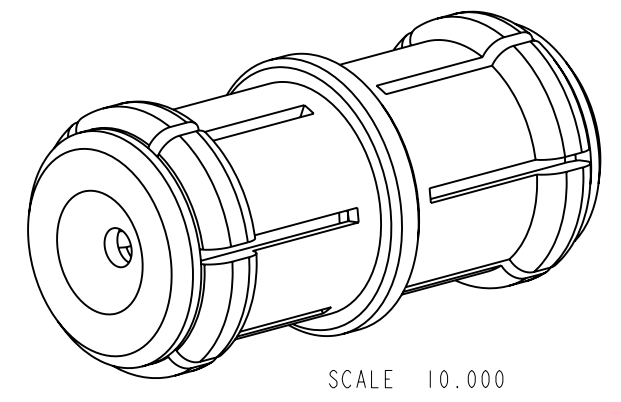
1. MATERIAL AND FINISH (PLATING THICKNESS IN MICRO-INCHES):  
 BODY - BERYLLIUM COPPER, ALBALOY PLATING OVER SILVER  
 CONTACT PIN - BERYLLIUM COPPER, GOLD PLATING  
 INSULATOR - PTFE, NATURAL
2. ELECTRICAL:  
 A. IMPEDANCE: 50 OHM  
 B. FREQUENCY RANGE: DC - 6 GHz  
 C. RETURN LOSS (VSWR) AT AXIAL FLOAT POSITION:  
 DC-3 GHz: 30 dB (1.07) @ NOMINAL  
           21 dB (1.20) @ ±0.7 mm  
 3-6 GHz: 29 dB (1.07) @ NOMINAL  
           15 dB (1.43) @ ±0.7 mm  
 D. INSULATION RESISTANCE: 5 GOHM MIN.  
 E. POWER HANDLING: 40 W MAX. @ 2.6GHz AT 85°C  
 F. 3TH PIM: -150 dBc Max. @ 2100 MHZ (2X43 dBm)

3. MECHANICAL:  
 A. MATING CYCLES: 200 MIN FOR SMOOTH BORE  
                   50 MIN FOR LIMITED DETENT  
 B. TEMPERATURE RANGE: -55°C TO +125°C
4. PACKAGING:  
 A. PACKAGE IN 50 PIECE TRAYS  
 B. MARK TRAYS: "AMPHENOL RF, 920-506A-51S, DATE CODE"

THIRD ANGLE PROJ.

REVISIONS

REV	DESCRIPTION	DATE	ECO	APPR
A	RELEASE TO MFG.	29-Jun-18	08168	BMG



**CUSTOMER OUTLINE DRAWING**  
 ALL OTHER SHEETS ARE FOR INTERNAL USE ONLY

UNLESS OTHERWISE SPECIFIED, DIMENSIONS ARE IN METRIC AND TOLERANCES ARE: <0.5mm ±0.05mm    0.5 - 6mm ±0.1mm    6 - 30mm ±0.2mm    30 - 120mm ±0.3mm    ANGLES ±1°	MATERIAL	DRAWN	DATE	TITLE HD-EFI 7.72MM BULLET		Amphenol RF www.amphenolrf.com	
	SEE NOTES	M. ZHANG	29-Jun-18				
NOTICE - These drawings, specifications, or other data (1) are, and remain the property of Amphenol corp. (2) must be returned upon request; and (3) are confidential and not to be disclosed to any person other than those to whom they are given by Amphenol Corp. the furnishing of these drawings, specifications, or other data by Amphenol Corp., or to any other person to anyone for any purpose is not to be regarded by implication or otherwise in any manner licensing, granting rights to permitting such holder or any other person to manufacture, use or sell any product, process or design, patented or otherwise, that may in any way be related to or disclosed by said drawings, specifications, or other data.	REFERENCE	ENGINEER	DATE	SCALE: 25.0:1.0 SHEET 2 OF 2		ITEM NO. 920-506A-51S	
	EAR# 7563 AND 615X-3350-X00	B. GREENBAUM	24-May-17				
	CONFIGURATION LEVEL: In Work	APPROVED	DATE				
FINISH	S. HSIEH	29-Jun-18		DWG SIZE	REV		
				B	A		