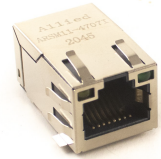




Single Port Surface Mount RJ45 Connector

ARSM11-4707I

- 10/100 Base T
- Surface Mount Design
- Compliant with IEEE 802.3 specification
- Industrial Operating Temp: 40°C +85°C



Electrical Specifications @ 25°C

OCL(μH Min) @100KHz, 0.1V With 8mA DC Bias	Turns Ratio		Return Loss (dB Min)		
	TX	RX	1-30MHz	30-60MHz	60-80MHz
350	1CT : 1CT	1CT : 1CT	-18	-16	-12

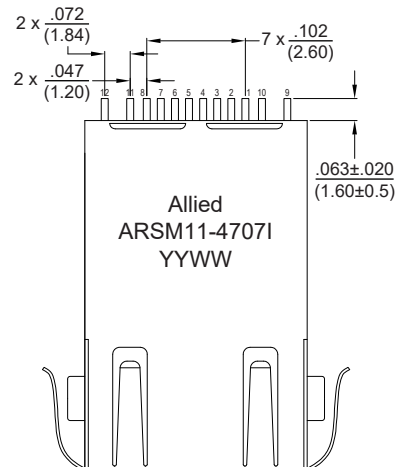
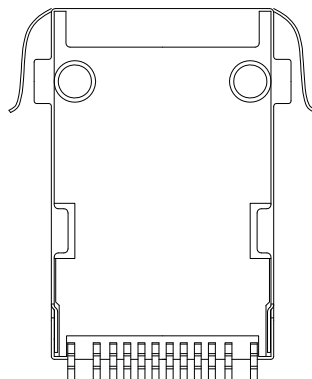
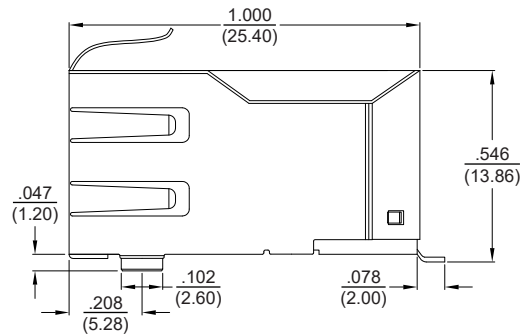
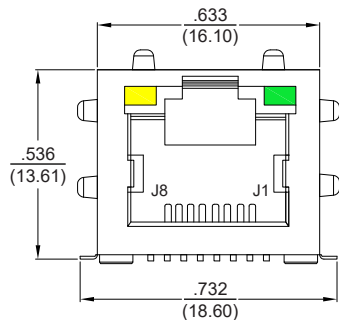
Electrical Specifications @ 25°C

Insertion Loss (dB Max) 1-100MHz	Cross Talk (dB Min)			Common Mode Rejection (dB Min)		Hi-Pot (Vrms) Min
	1-10MHZ	30-60MHz	60-100MHz	1-50MHz	50-130MHz	
-1.0	-40	-35	-30	-30	-20	1500

All specifications subject to change without notice.

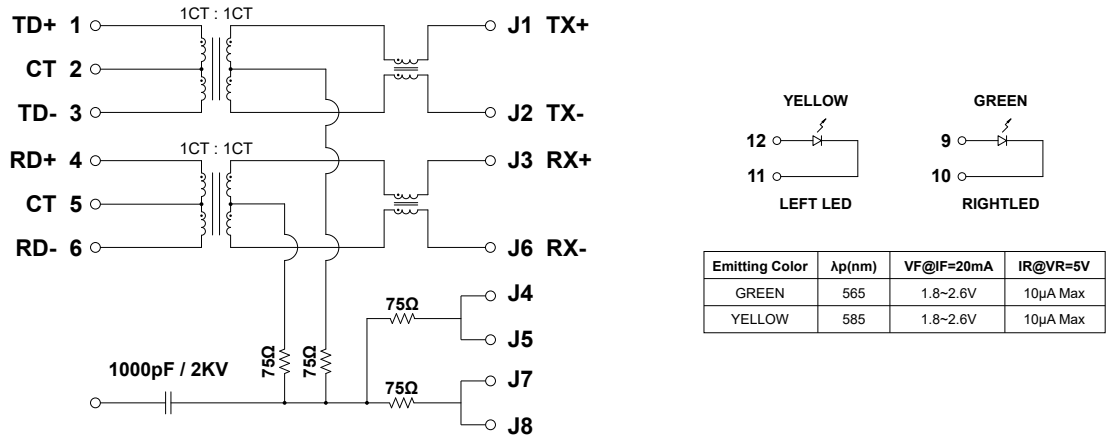
MECHANICAL

Dimensions:  $\frac{\text{inch}}{\text{mm}}$



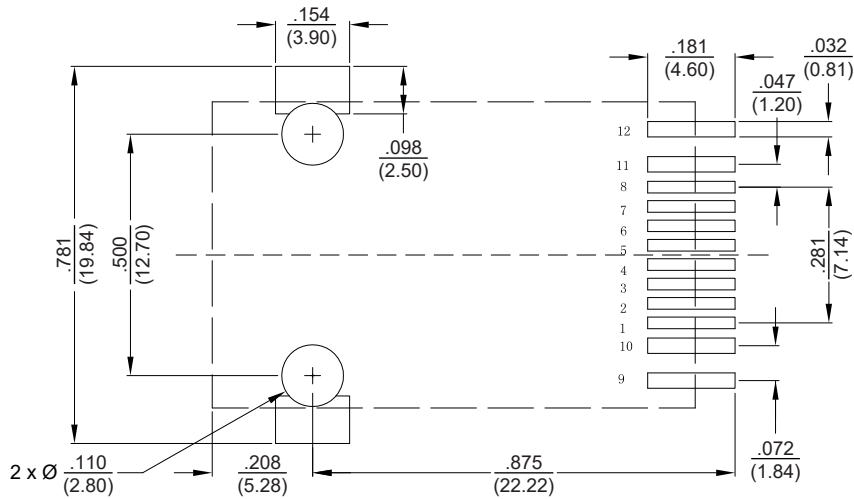


**SCHEMATIC**



**PCB LAYOUT**

Dimensions:  $\frac{\text{inch}}{\text{mm}}$



**NOTES**

- Connector Materials:  
 Housing: Thermosplastic LCP+30%G.F. UL94V-0  
 Contact Material: Phosphor Bronze C5210R-EH Thickness = 0.35mm  
 Pins: Brass C2680R-H Thickness = 0.35mm  
 Shield: SUS 201-1/2H Thickness = 0.2mm  
 Contact Plating: Gold 6μ" Min in contact area
- Maximum Reflow Temp: 250°C, 5Sec.